

Replacement Filter Elements



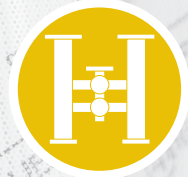
Pressure Filters



Return-Line Filters



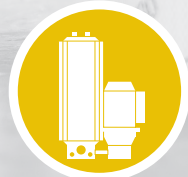
In-Line Filters



Spin-On Filters



Offline and Bypass Filters



Filtration Systems



## Germany

### Walter Stauffenberg GmbH & Co. KG

Im Ehrenfeld 4

58791 Werdohl

Tel.: +49 2392 91 60

Fax: +49 2392 91 61 03

E-Mail: [sales@stauff.com](mailto:sales@stauff.com)

[www.stauff.com](http://www.stauff.com)

STAUFF products and services are globally available through wholly-owned subsidiaries and a tight network of authorised distributors and representatives in all major industrial regions of the world.

**You can find detailed contact information on the last two pages of this product catalogue or at [www.stauff.com](http://www.stauff.com).**

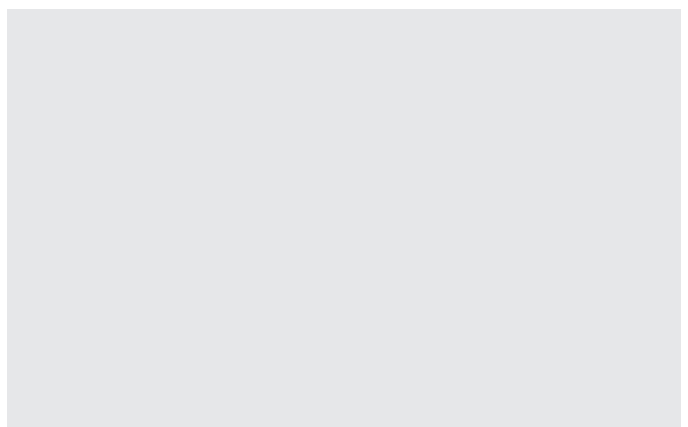
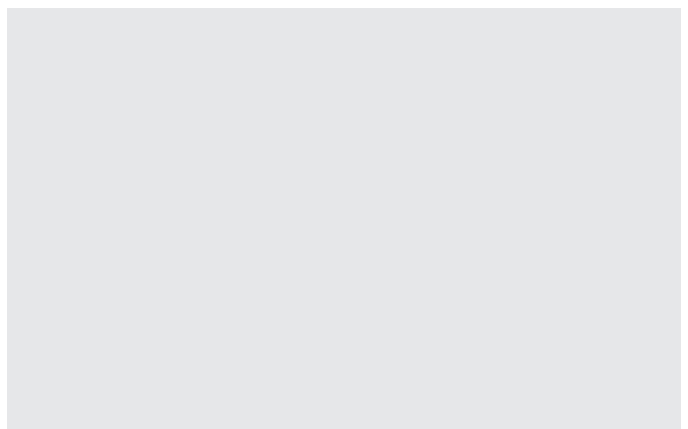
Please note: Unless otherwise stated, all data and figures in this product catalogue are approximate values and are only valid as references, which are not binding (also in respect to any third parties' rights of protection) and thus do not release the customer / user from checking and testing the suitability of the products for the foreseen purposes. Therefore, data and figures can only be used in a limited sense for construction purposes.

The application of the products is beyond the control possibilities of the manufacturer and, therefore, is exclusively subject to the responsibility of the customer / user.

In the event that a liability is nevertheless considered, any compensation will be limited to the value of the goods supplied by the manufacturer and used by the customer / user. As a matter of course, the manufacturer guarantees the perfect quality of all products in accordance with the General Terms and Conditions of Business and Sale.

Subject to modifications due to the ongoing development and improvement of the products.

With the publication of this product catalogue, previous editions are no longer valid.



<b>Introduction</b>	<b>4 - 11</b>	
<b>Filtration Guideline</b>	<b>12 - 23</b>	<b>A</b>
<b>Replacement Filter Elements</b>	<b>24 - 33</b>	<b>B</b>
<b>Pressure Filters</b>	<b>34 - 65</b>	<b>C</b>
<b>Return-Line Filters</b>	<b>66 - 125</b>	<b>D</b>
<b>In-Line Filters</b>	<b>126 - 147</b>	<b>E</b>
<b>Spin-On Filters</b>	<b>148 - 177</b>	<b>F</b>
<b>Offline and Bypass Filters</b>	<b>178 - 205</b>	<b>G</b>
<b>Filtration Systems</b>	<b>206 - 209</b>	<b>H</b>
<b>Appendix (Product-Specific Abbreviations / Global Contact Directory)</b>	<b>210 - 215</b>	





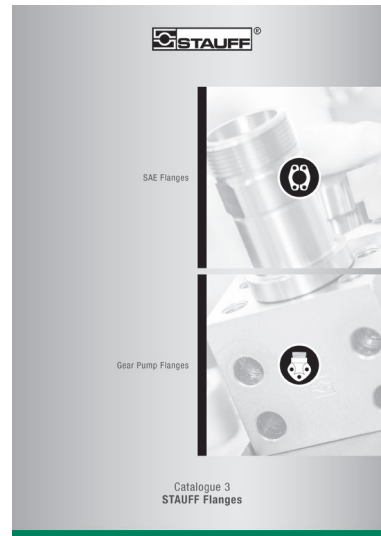
**Catalogue 1  
STAUFF Clamps**

- Block Clamps
- Special Clamps
- Light Series Clamps
- Saddle Clamps
- U-Bolt Clamps
- Metal Clamps
- Construction Series



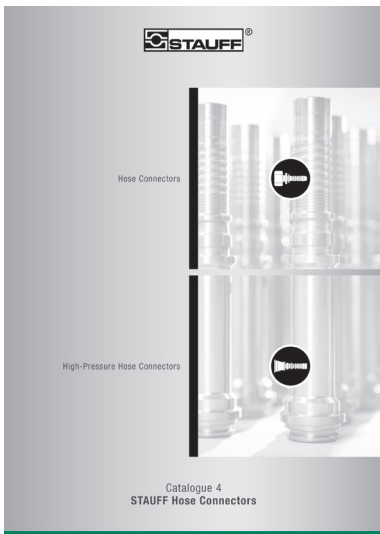
**Catalogue 2  
STAUFF Connect**

- Tube Connectors
- Assembly Tools and Devices



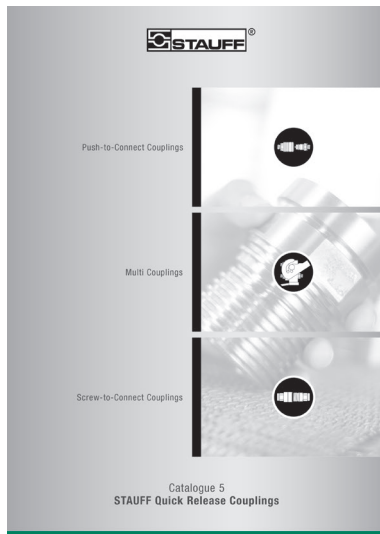
**Catalogue 3  
STAUFF Flanges**

- SAE Flanges
- Gear Pump Flanges



**Catalogue 4  
STAUFF  
Hose Connectors**

- Hose Connectors
- High-Pressure Hose Connectors



**Catalogue 5  
STAUFF  
Quick Release Couplings**

- Push-to-Connect Couplings
- Multi Couplings
- Screw-to-Connect Couplings



**Catalogue 6  
STAUFF Valves**

- Two-Way Ball Valves
- Multi-Way Ball Valves
- Flow Control and Check Valves
- Gauge Isolator Valves





### Catalogue 7 STAUFF Test

- Test Couplings
- Test Adaptors
- Test Hoses and Connectors



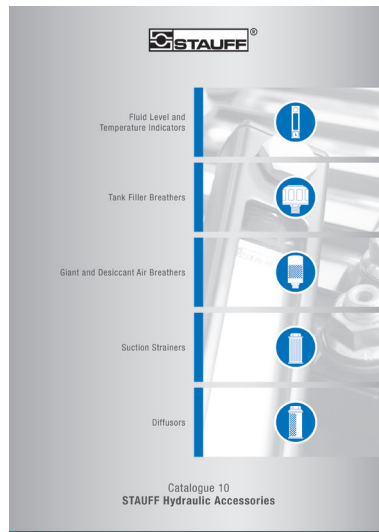
### Catalogue 8 STAUFF Diagtronics

- Pressure Gauges
- Hydraulic Testers
- Oil Analysis Equipment



### Catalogue 9 STAUFF Filtration Technology

- Replacement Filter Elements
- Pressure Filters
- Return-Line Filters
- In-Line Filters
- Spin-On Filters
- Offline and Bypass Filters
- Filtration Systems



### Catalogue 10 STAUFF Hydraulic Accessories

- Fluid Level and Temperature Indicators
- Tank Filler Breathers
- Giant and Desiccant Air Breathers
- Suction Strainers
- Diffusors



For more than 50 years, the companies of STAUFF Group have been developing, manufacturing and distributing pipework equipment and hydraulic components for mechanical and plant engineering and for service and industrial maintenance.

In addition to mobile and industrial hydraulic machinery, typical applications also include commercial and special purpose vehicles, rail transportation and energy technology. Likewise, STAUFF products are used in marine, oil and gas applications and in the process, food and chemical industries.

The overall range currently includes about 40000 standard products as well as numerous special and system solutions according to customer's specifications or based on our in-house development.

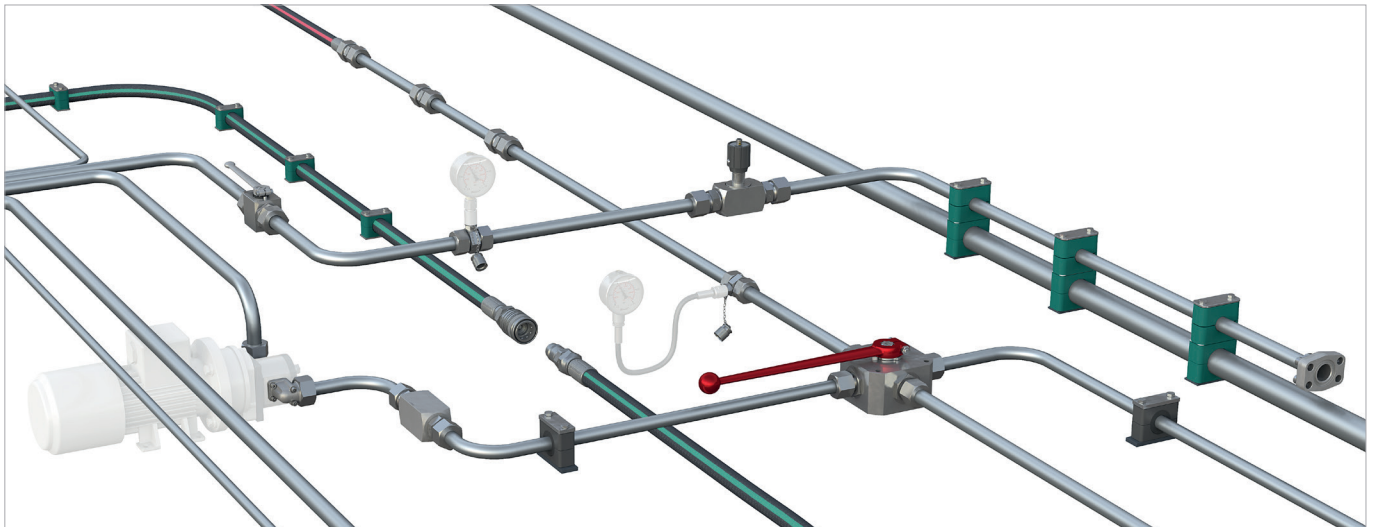
All STAUFF products undergo relevant testing in accordance with international regulations and are governed by the high standards of the in-house quality management system. Furthermore, many items have received certifications and approvals from various international institutes, organisations and authorities who have independently confirmed the quality and performance of the products.

Wholly-owned manufacturing, sales and service facilities in 18 countries and a tight global network of authorised distribution partners ensure high presence and service paired with a maximum of availability.



Quality Management – ISO 9001:2015  
Environmental Management – ISO 14001:2015  
Safety Management OHSAS – 18001:2007

## STAUFF LINE Components



With the seven dedicated **STAUFF Line** product groups

- **STAUFF Clamps**
- **STAUFF Connect**
- **STAUFF Flanges**
- **STAUFF Hose Connectors**
- **STAUFF Quick Release Couplings**
- **STAUFF Valves**
- **STAUFF Test**

from own, in-house development and manufacturing, the companies of the STAUFF Group provide a comprehensive range of components for fastening and connecting pipes, tubes and hoses for mobile and industrial hydraulic applications and many other industries.

The portfolio is completed by components for shutting-off, regulating, throttling and measuring fluid media.

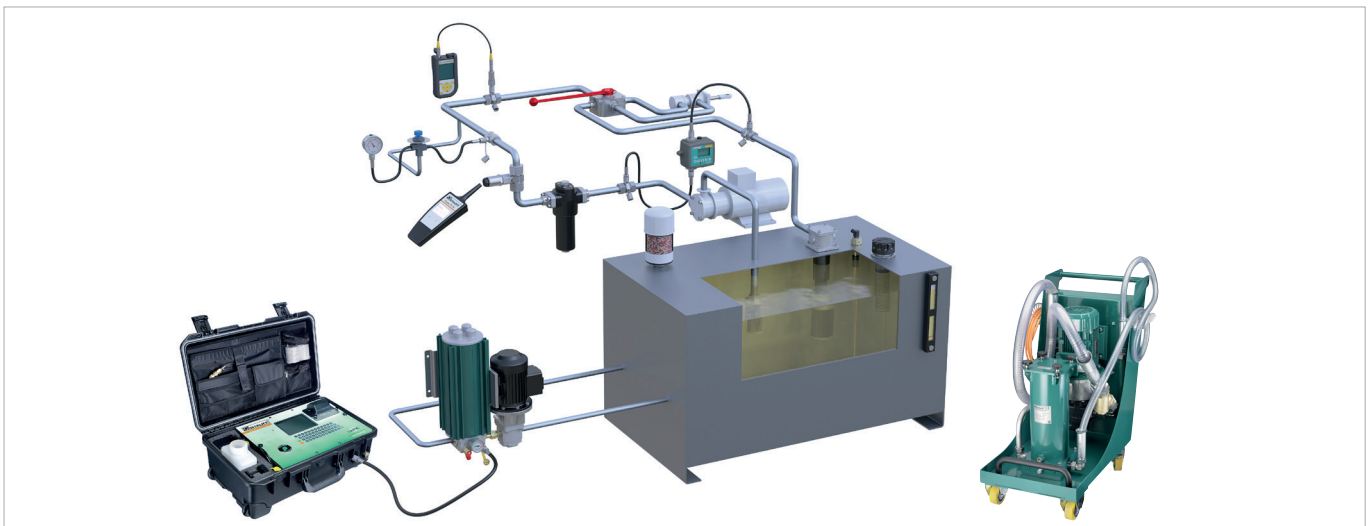
In order to perfectly match each other, STAUFF Line products are designed and offered on a high, uniform level of quality. A large proportion of the range made from steel comes as standard with the premium STAUFF Zinc/Nickel surface coating, which is also optionally available for many of the other components.

This coating offers the most reliable surface protection far beyond the previous market standards – even after transport, handling and assembly of the components – and meets all current legal requirements.

If desired, Original Equipment Manufacturers can be supported with value-added services, from **technical consultation to pre-assembly, assembly and kitting** as well as **logistics services**:

- Support with the **selection of suitable standard components** and ordering options; provision of **customised solutions** according to customer's specifications or based on our in-house development – from prototyping to large scale production
- **Analysis and optimization** of existing and design and developments of new systems aimed at increasing the efficiency and performance of machines and equipment and creating value for customers by reducing the total cost
- **Pre-assembly, assembly and kitting** of individual components to customer-specific system modules
- Individually coordinated **procurement solutions** (e.g. web shop and electronic data interchange) and **supply models** (e.g. from warehousing of customised components to Kanban logistics and just-in-time delivery of pre-fabricated system modules to the assembly lines of the customers) aimed at optimising material flows





Aligned with the needs of the market, the product groups

- **STAUFF Test**
- **STAUFF Diagtronics**
- **STAUFF Filtration Technology**
- **STAUFF Hydraulic Accessories**

include a comprehensive range of analogue and digital measuring equipment and devices, filtration systems and replacement filter elements as well as accessories for the construction of tanks, reservoirs, power packs and gear boxes in mobile and industrial hydraulics.

The offer is completed by relevant value-added services:

- Support with the **selection of suitable components** and ordering options; provision of **customised solutions** according to customer's specifications or based on our in-house development – from prototyping to large scale production
- Analysis of existing hydraulic circuits aimed at filtration systems, tank components and monitoring devices that perfectly match to the specific requirements, and developing integrated concepts to increase the efficiency and performance of machines and equipment
- Individually coordinated **procurement solutions** and **supply models**





## STAUFF Filtration Technology

The STAUFF Filtration Technology product range contains an extensive product range in the areas of filtration and purification of oils and other media, which fully meets – or even exceeds – the requirements of modern service and maintenance of machines and equipment.

As an experienced manufacturer, STAUFF provides quick and direct access to a complete range of replacement filter elements for industrial liquids such as hydraulic and lubrication oils, heavy fuels, water, chemicals, coolants and other media – equal in form, fit and function to the original products while maintaining or surpassing their performance.

Flexible manufacturing lines and extensive stock-keeping in the country of destination guarantee fast reaction times and shortest delivery times.

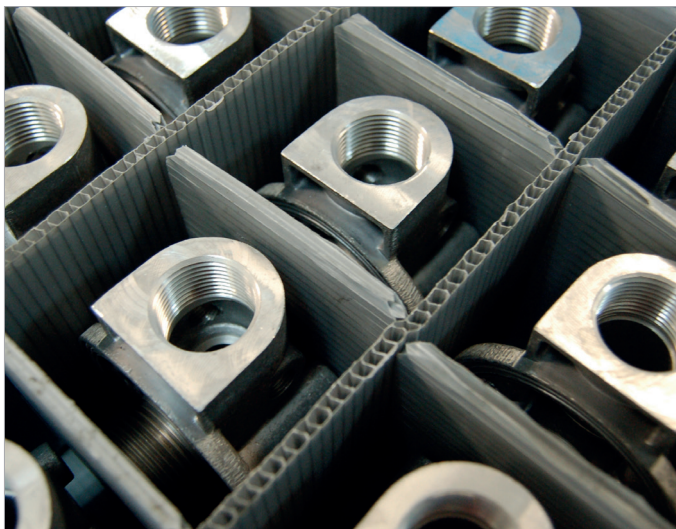
STAUFF guarantees prompt service, even for customised solutions according to customer's specifications or based on our in-house development.

STAUFF filter housings and systems can be installed in the pressure, suction or return line. They are already planned in suitable positions in the hydraulic circuit during the design phase of a machine, or added at a later stage in the course of retrofitting or upgrading.

Offline and bypass filters, which are either used as portable units or installed permanently, complete the product portfolio.









## [www.stauff.com/catalogues](http://www.stauff.com/catalogues)

The STAUFF online catalogue centre at [www.stauff.com/catalogues](http://www.stauff.com/catalogues) provides fast and direct access to digital versions of this as well as other STAUFF product catalogues in all available languages.

### Online Page-Flip Catalogues

- Easy navigation through index or the powerful full text search functionality
- Contents can be shared and forwarded by e-mail, printed or downloaded and saved in PDF file format
- Also suitable for mobile devices

### Download Catalogues

- Download entire product catalogues and save them in PDF file format

### Catalogue Request

- Contact form to request printed copies of the product catalogue as well as digital copies on CD-ROM or USB stick

The fastest way to the online page-flip catalogue:

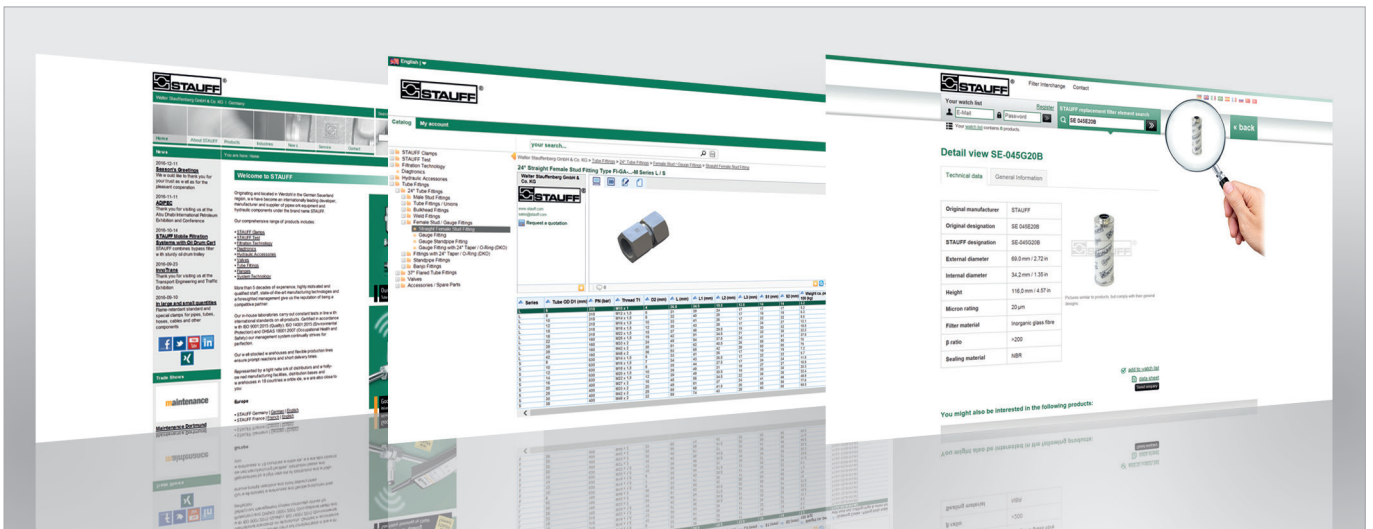
The links that can be found at the bottom edge of all pages of this product catalogue will lead you directly to the corresponding page in the online page-flip catalogue.

In doing so, contents can be searched, shared and forwarded by e-mail, printed or downloaded and saved in PDF file format.

Scan the QR code next to the direct link with the camera of your mobile device\* and also use the functions in this way.

\* may require a suitable app





[www.stauff.com](http://www.stauff.com)

General information about the companies of STAUFF Group, latest business and product news as well as complete global contact details

[www.stauff.com/cad](http://www.stauff.com/cad)

Immediate access to and free download of 3D models and 2D drawings for a growing number of STAUFF products

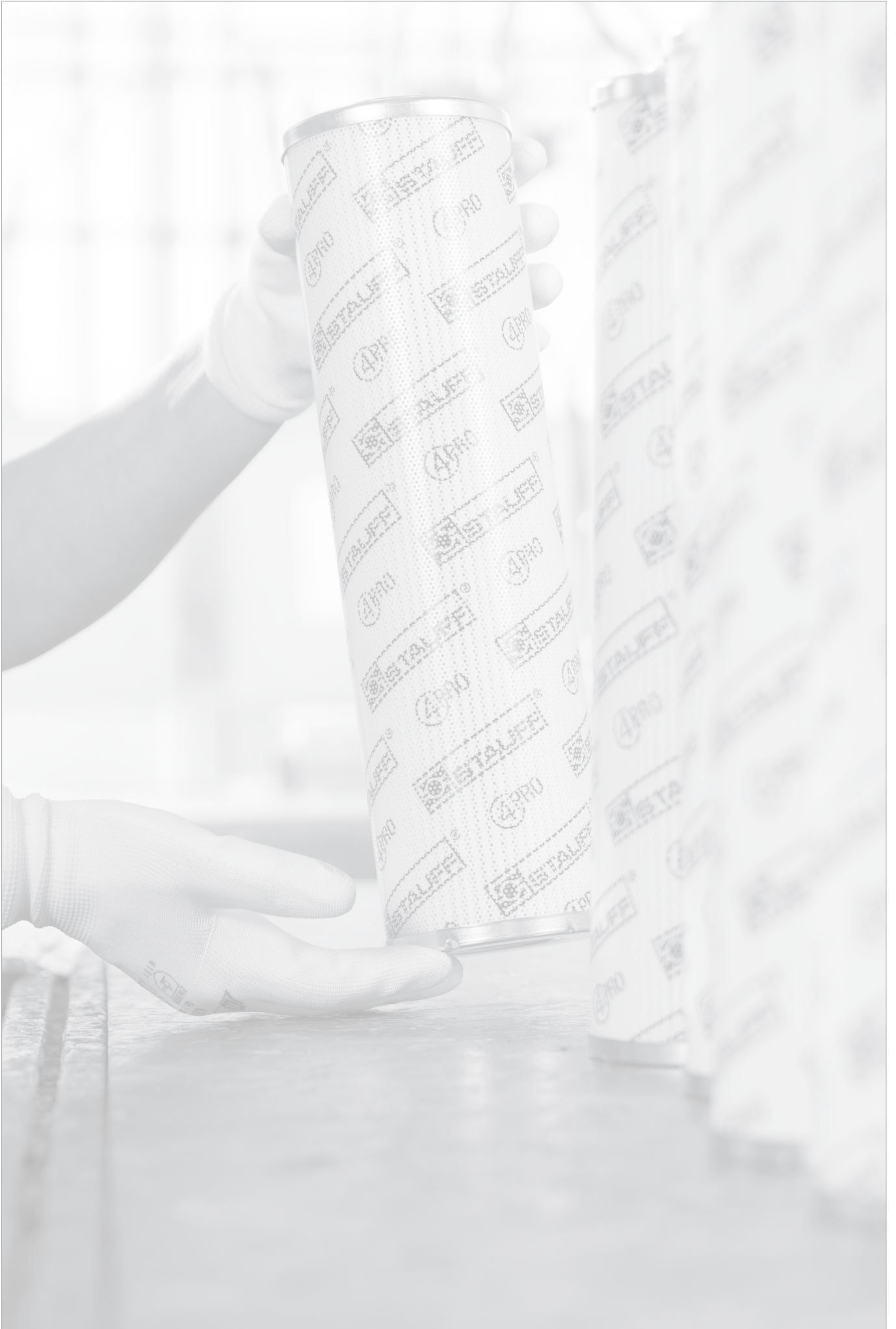
[www.filterinterchange.com](http://www.filterinterchange.com)

Online database for the quick and easy identification and interchange of almost all common brands and types of replacement filter elements

Follow STAUFF and keep yourself updated:

- Facebook**  
www.facebook.com/stauffgroup
- Twitter**  
www.twitter.com/stauffgroup
- LinkedIn**  
www.linkedin.com/company/stauff
- Youtube**  
www.youtube.com/stauffgroup





<b>Filtration Guideline</b>	<b>12 - 23</b>
Filtration - Why?	15
Contamination	15
STAUFF Filter Components	16 - 17
Test Standards and Oil Purity	18
Short & Curt: Filter Rating	19
$\beta$ -Value and Separations Efficiency	19
Filtration Terminology	20 - 21
Choice of Filters / Examples of Calculation	22 - 23



A





## Filtration - Why?

Good hydraulic filtration is gaining more and more importance in the use of hydraulic systems.

Reducing contamination in the hydraulic system will reduce the wear of the components and thus extend the service life of the machine. This will prevent production downtime and lower the overall production costs.

Right from the beginning, there is contamination in a new hydraulic system, which reduces the service life of the system and its components such as valves and cylinders without any or with inadequate filtration.

This built-in dirt is created during the manufacturing of the components and mainly consists of coarse particles.

In addition to the contamination that arises during operation of the system, e.g. abrasive wear, dirt particles can also get into the system when it is filled with hydraulic oil. This is called ingress contamination.

Choosing the right filter contributes significantly to prevent the dangers mentioned above thereby ensuring efficient operation even after many years.

### Reduction of Contamination

- Extension of service life
- Extension of maintenance intervals
- Reduction of machine downtime
- Reduction of environmental pollution

### ► Cost savings for the user

## Contamination

### Particle Sizes (Selection)

- 100 µm table salt, fine sand
- 75 µm diameter of a human hair
- 60 µm flower pollen
- 50 µm fog
- **30 µm (from approx.) resolution of the human eye**
- 15 µm fine particles
- 7 µm red blood cells
- 2 µm bacteria
- 1 µm layer of lubricating film (for comparison)

### Type of Contamination

The most frequent ones are:

- Solid particles
- Free and dissolved water
- Non-dissolved air

A majority of the contamination can be removed with filtration.

### Origin of Contamination

The main cause of failures and downtimes is dirt in the hydraulic system.

Failure analysis indicate that 80% of the failures are caused by faults in the hydraulic system. 90% of them are caused by impurities in the hydraulic oil.

### Sources of External Contamination

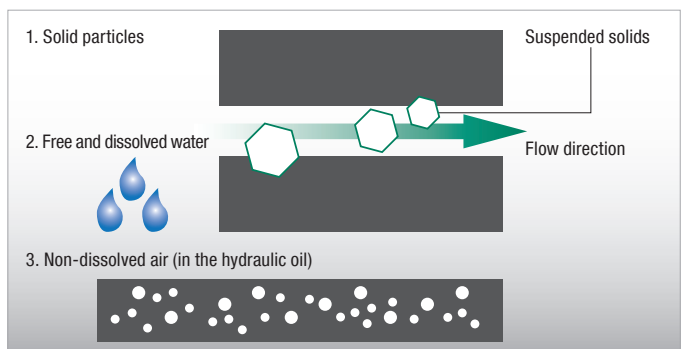
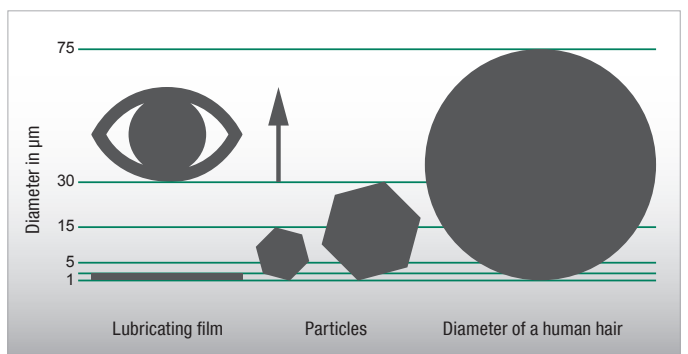
- Filling and refilling the hydraulic tank
- Inadequately dimensioned breathers
- Damaged tank seals
- Replacement of hydraulic lines and components (pumps, cylinders)
- Impurities in the air

### Types of Internal Contamination

- Contamination on / in the components caused by the manufacturing process (e.g. chips)
- Contamination on the components caused by the installation of the components

### Sources of Internal Contamination

- Disintegration of particles from high pressure changes and tension on the surface of hydraulic components (e.g. cavitation)
- Material erosion that occurs at places in the hydraulic units due to the impact of pressurised liquid at high speeds (erosion wear)



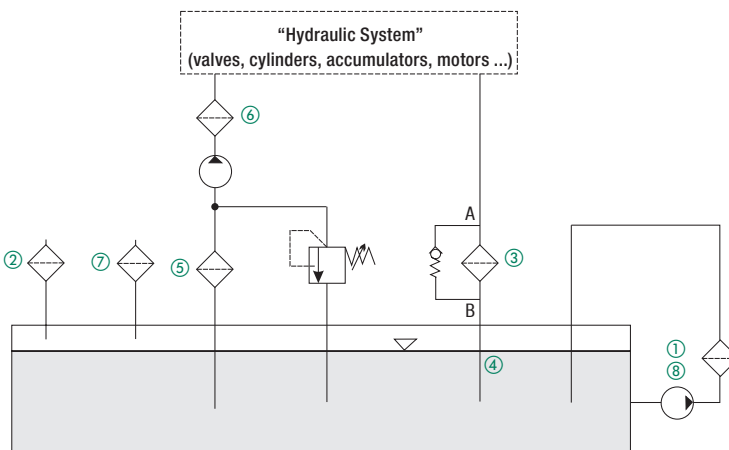
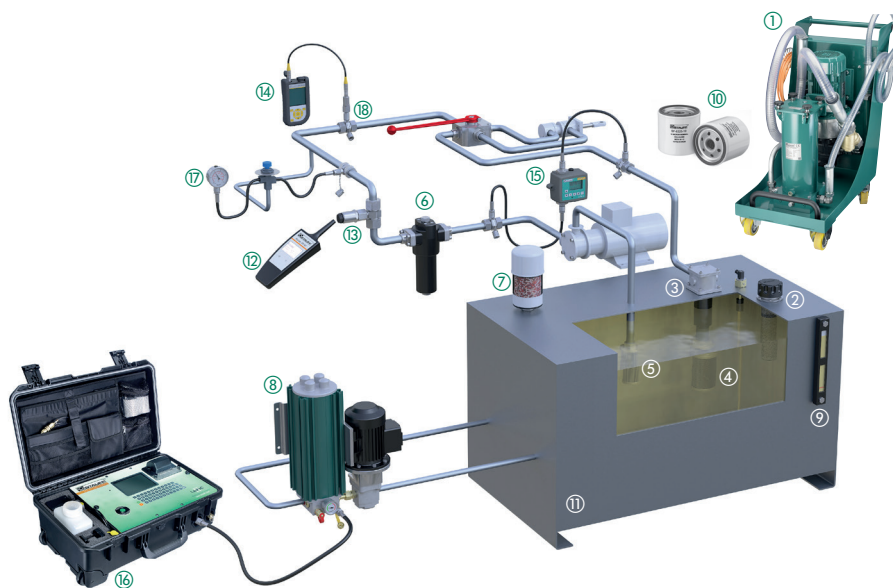
A



STAUFF Laser Particle Counter LasPaC-II and Bottle Sampler

**Selection of Components within the Hydraulic Circuit**

- ① STAUFF Mobile Filter System **SMFS-U**
- ② STAUFF Plastic Filler Breather **SPB**
- ③ STAUFF Return-Line Filter **RF**
- ④ STAUFF Diffusor **SRV**
- ⑤ STAUFF Suction Strainer **SUS**
- ⑥ STAUFF Pressure Filter **SF**
- ⑦ STAUFF Desiccant Air Breather **SDB**
- ⑧ STAUFF Offline Filter **OLS**
- ⑨ STAUFF Level Gauge **SNA**
- ⑩ STAUFF Spin-On Filter **SSF**
- ⑪ Oil tank
- ⑫ STAUFF Reader **PT-RF**
- ⑬ STAUFF Pressure Transmitter **PT-RF**
- ⑭ STAUFF Hydraulic Tester **PPC**
- ⑮ STAUFF Particle Monitor **LPM-II**
- ⑯ STAUFF Laser Particle Counter **LasPac-II**
- ⑰ STAUFF Pressure Gauge **SPG**
- ⑱ STAUFF Test Coupling **SMK / SKK**





STAUFF Filter Components

A



Pressure Filters Series SF / SF-TM / SFZ / SFA / SMPF (see page 34 - 35)

**Pressure Filters** ⑥ are placed behind the pump and clean the hydraulic oil before it flows through down-stream components like valves, cylinders and so on. The main reason for pressure filtration is the protection of downstream, sensitive components.

Eroded particles from the pump are immediately filtered out of the hydraulic oil. Besides working as a protection filter, Pressure Filters also help to maintain the required purity class.

Because it is placed right behind the pump, a Pressure Filter has to withstand the maximum system pressure. The filter element in the Pressure Filter also has to withstand the loads and is more intricately constructed, for example as a Return-Line Filters element.



Return-Line Filters Series RF / RFA / RFB / RFS / RTF (see page 66 - 125)

**Return-Line Filters** ③ are installed in the Return-Line, on top of or within the oil tank. They filter the hydraulic oil before it flows back into the reservoir. This ensures that contamination arising in the components does not get into the tank. Return-Line Filters maintain the targeted purity class like Pressure Filters. However, because of their arrangement, they do not fulfil the additional function of a protection filter. In contrast to a Pressure Filter, it only has to withstand low pressure levels.

**Diffusers** ④ are used in combination with Return-Line Filters and ensure that the returning oil flow is settled before it reaches the oil tank thereby preventing foaming and re-suspension of deposited dirt.

The job of **Suction Strainers** ⑤ is mainly to provide functional protection of the downstream pumps in the circulation. Suction Strainers always have to be provided if the risk of pump damage from coarse impurities is particularly high. This risk exists if impurities are collected in the tank and if they can't be filtered out afterwards. Suction Strainers are coarse filter elements with a micron rating that is usually bigger than 100 µm.



Diffusers / Suction Strainers / Filler Breathers / Desiccant Air Breathers (see Catalogue No. 10 - Hydraulic Accessories)

**Filler Breathers** ② are mounted on the oil tank and prevent the entry of dirt from the surroundings during tank breathing. They should be chosen with a filter unit that is similar to the working filter (Pressure Filter, Return-Line Filter).

The replacement cycles of filter inserts is highly dependent on the surrounding conditions of the hydraulic system.

Another variant of the breather is the **Desiccant Air Breather** ⑦. The additional function of this filter is dehumidification of the inflowing air with a special silicate gel.



Offline and Bypass Filters / Mobile Filter Units (see page 178 - 209)

**Offline / Bypass Filters** ⑧ / ① are not part of the main hydraulic system. They are supplementary to achieve the best possible filtration results. Because of the high efficiency of the Offline / Bypass Filters, purity levels are reached that cannot be achieved with conventional main filter systems.

**Offline Filters** work with an integrated motor / pump unit that draws in the fluid from the system, filters it and then feeds it back into the tank. Because the offline filter is independent from the hydraulic main circuit, i.e. it can still be operated if the hydraulic system is switched off, it is used in practice for continuous cleaning of the tank.

**Bypass Filters** on the other hand use the existing system pressure to draw a small volumetric flow out of the hydraulic system for filtration. They are only active while the unit is in operation.

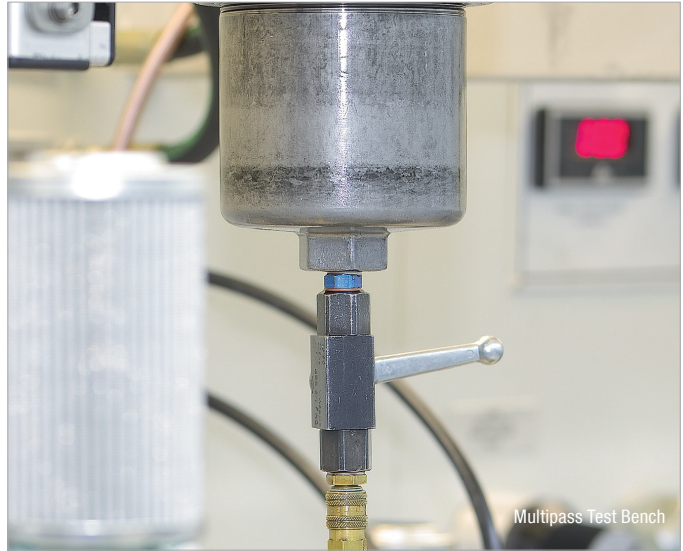
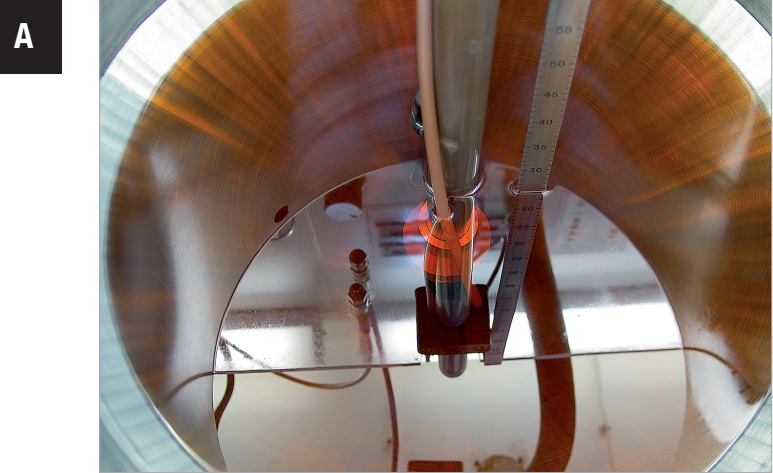
Another mobile variant of the bypass filter is the **Mobile Filter System** ①.



Spin-On Filters (see page 148 - 177)

STAUFF provides a complete range of **Spin-On Filters** ⑩ which can be used either as Suction Filters or as Return-Line filters for low pressure applications.





### Test Standards and Oil Purity

#### Definition of the Required Micron Rating

Essentially, the components found in the hydraulic system determine the micron rating of the filtration system.

To guarantee a reliable mode of operation over the years, it is mandatory to maintain the optimum oil purity class for specific components.

The most sensitive component determines the choice of filter material and micron rating.

To determine the oil purity according to ISO 4406 (1999), a laser particle counter is used to count particles that are  $>4 \mu\text{m}_{(c)}$ ,  $>6 \mu\text{m}_{(c)}$  and  $>14 \mu\text{m}_{(c)}$  in 100 ml of hydraulic oil. The number of particles is then assigned with a classification number (e.g. 14/11/8) that then corresponds to the ISO purity class. Please note here that the number of particles doubles for the next higher class. The cleanliness level that has to be achieved is an important criterion for choosing the right filtration system.

#### STAUFF Filter Elements are subject to the following Test Methods

- ISO 2941 Collapse and burst resistance
- ISO 2942 Verification of fabrication integrity (bubble point test)
- ISO 2943 Compatibility with hydraulic media
- ISO 3723 End load test
- ISO 3724 Flow fatigue characteristics
- ISO 3968 Flow characteristics
- ISO 16889 Filtration performance test (multi-pass method)

Number of particles in 100 ml fluid		Classification numbers ISO 4406 (1999)		
More than	Less than	$> 4 \mu\text{m}_{(c)}$	$> 6 \mu\text{m}_{(c)}$	$> 14 \mu\text{m}_{(c)}$
16000000	32000000	25	25	25
8000000	16000000	24	24	24
4000000	8000000	23	23	23
2000000	4000000	22	22	22
1000000	2000000	21	21	21
500000	1000000	20	20	20
250000	500000	19	19	19
130000	250000	18	18	18
64000	130000	17	17	17
32000	64000	16	16	16
16000	32000	15	15	15
8000	16000	14	14	14
4000	8000	13	13	13
2000	4000	12	12	12
1000	2000	11	11	11
500	1000	10	10	10
250	500	9	9	9
130	250	8	8	8
64	130	7	7	7
32	64	6	6	6
16	32	5	5	5





STAUFF Laser Particle Counter LasPaC-II, LPM-II and Bottle Sampler

### Short & Curt: Filter Rating

(For exact recommendation see SCCP - STAUFF Contamination Control Program see on page 15)

Type	Component	ISO 4406 Code	Recommended Filter Rating
Pump	Piston Pump (Slow Speed, Inline)	22/20/16	20 µm
	Gear Pump	19/17/15	20 µm
	Vane Pump	18/16/14	5 µm
	Piston Pump (High Speed, Variable)	17/15/13	5 µm
Motor	Gear Motor	20/18/15	20 µm
	Vane Motor	19/17/14	10 µm
	Radial Piston Motor	19/17/13	10 µm
	Axial Piston Motor	18/16/13	5 µm
Valve	Directional Valves (Solenoid)	20/18/15	20 µm
	Check Valves	20/18/15	20 µm
	Logic Valves	20/18/15	20 µm
	Cartridge Valves	20/18/15	20 µm
	Pressure Control Valves (Modulating)	19/17/14	10 µm
	Flow Control Valves	19/17/14	10 µm
	Standard Hydraulic <100 bar / <1450 PSI	19/17/14	10 µm
	Proportional Valves	18/16/13	5 µm
	Servo Valves <210 bar / <3045 PSI	16/14/11	3 µm
	Servo Valves >210 bar / >3045 PSI	15/13/10	3 µm
Actuator	Cylinder	20/18/15	20 µm

### β-Value and Separations Efficiency

To select filtration that meet the requirements, performance characteristics like the filter fineness, the filtration efficiency, the dirt-hold capacity and the pressure loss has to be observed.

The β-value as per ISO 16889 is the relevant characteristic value for the filtration efficiency. The β-value is the ratio of particles before (N<sub>up x</sub>) and after (N<sub>down x</sub>) the filter related to a specific particle size x.

$$\beta_x = \frac{N_{up\ x}}{N_{down\ x}}$$

β<sub>10</sub> > 200 means that of 1000 particles that are 10 µm in size, only five particles can pass through the filter. 995 particles will be trapped by the filter element.

Popular filters with inorganic glass fibre medium have to achieve a β-value of at least 200 in order to meet the demands placed on hydraulic filtration today.

The filtration efficiency, also called the retention rate, is directly related to the β-value and is calculated as follows:

$$E = \frac{(\beta_x - 1)}{\beta_x}$$

β<sub>10</sub> > 200 corresponds to filtration efficiency of 99,5%.

#### Comparison of the β-Value and Efficiency E (each related to a defined Particle Size)

β-value	Filtration Efficiency E
1	0,00 %
2	50,00 %
10	90,00 %
25	96,00 %
50	98,00 %
75	98,67 %
100	99,00 %
200	99,50 %
1000	99,90 %
9999	99,99 %

The **dirt-hold capacity** (DHC) shows how much solid dirt a filter element can hold before it has to be replaced. The dirt-hold capacity is therefore the most important parameter in the filter service life.

The **differential pressure** (Δp) is another important criterion for the configuration of the filter. Ensure that the size of the filter element is chosen according to the calculation guideline by STAUFF.

To guarantee optimum filtration, the β-value, the dirt-hold capacity (DHC) and the differential pressure (Δp) must be carefully matched.



## Filtration Terminology

### β-value

The β-value as per ISO 16889 is the relevant characteristic value for filtration efficiency. The β-value is the ratio of particles before ( $N_{up\ x}$ ) and after ( $N_{down\ x}$ ) the filter related to a specific particle size x.

$$\beta_x = \frac{N_{up\ x}}{N_{down\ x}} \quad (\text{see page 19})$$

### Cavitation Damage

Cavitation is defined to be the cavity formation in liquids. Cavitation occurs if the local static pressure of a liquid drops below a critical value. This critical value usually corresponds to the vapour pressure of the liquid. Critical effects of cavitation are:

- Cavitation wear
- Undissolved gas in the hydraulic system
- Loud high-frequency noises
- Local high temperatures in the liquid
- Changes to the resistance characteristics of the hydraulic resistance

### Cleanliness Level

The cleanliness level of a hydraulic fluid is defined by the number of solid particles per ml of fluid. The number of particles is usually measured with an automatic particle counter. The cleanliness level is determined by a class code created by counting the number of particles of different sizes.

Particle counting as well as the coding of the cleanliness class for hydraulic oils are described in the ISO 4406 (1999) standard. Beside the ISO 4406 (1999), NAS 1638 (1964) and SAE AS4059 Rev. D (2001) are also still common.

### Clogging Indicator

The clogging indicator signals a specific pressure level where the soiled filter element should be replaced. They work with differential pressure ( $\Delta p$ ) or back pressure. Clogging indicators are available in visual, electrical and visual / electrical versions. While it is the responsibility of the installation or maintenance personnel to check the degree of clogging of the filter element with visual clogging indicators, a signal contact (switch) can be connected to the machine controller with an electrical or visual / electrical clogging indicator.

### Collapse Pressure

The permissible collapse pressure according to ISO 2941 is understood to be the pressure difference that a filter element can withstand with the stipulated direction of flow. Exceeding the collapse pressure results in the destruction of the filter element.

### Depth Filter

Impurities penetrate into the filter fabric and are retained by the structure of the filter fabric. Mainly cellulose and inorganic glass fibre media are used in hydraulic filters. For special applications, Plastic Media (high-strength) and Stainless Fibre media are also used. The design of the depth filter combines the highest micron rating with a high dirt retention capacity. Due to the fleece-like structure of depth filters, particles are not only separated on the surface of the filter material, but they can penetrate into the filter material, which leads to a considerable increase of the effective filter area. In contrast to sieves, there are no holes in fleece, rather they practically consist of labyrinths in which the particles are trapped. Hence, there is no sharply defined screening, rather a wide range of particles are trapped.

### Differential Pressure

The differential pressure ( $\Delta p$ ) is defined as the pressure difference between the filter inlet and the filter outlet, or alternatively in front of and behind the filter element.

Exceeding the maximum permissible pressure differential leads to the destruction of the filter element.

An integrated bypass valve in the filter prevents destruction of the filter element by opening if the differential pressure ( $\Delta p$ ) is too high. Then the oil is passed unfiltered into the hydraulic circuit. For applications in which no unfiltered oil is allowed to pass into the hydraulic circuit, there is the possibility of using filters without bypass valves with filter elements that can withstand a high differential pressure ( $\Delta p$ ). The filter elements must be designed such that they can withstand the maximum expected differential pressure ( $\Delta p$ ).

### Dirt-Hold Capacity (DHC)

The dirt-hold capacity (DHC) shows how much solid dirt a filter element can hold. It is measured in the multipass test according to ISO 16889.

### Filter

A filter (hydraulic filter) has the job of keeping solids out of a liquid (oil). A filter is usually made of an filter housing and a filter element.

### Filter Area

The filter area is the size of the theoretically spread-out filter element. The larger the filter area, the lower the flow resistance of the filter element. Simultaneously, the dirt-hold capacity (DHC) increases. The following applies in general: the larger the filter area, the longer the service life of the element. Basically the filter area can be enlarged by the number of pleats.

### Filter Cake

A filter cake is made up of the particles trapped on the surface of a filter medium.

### Filter Design

Essentially depends on the following factors: specific flow rate, cleanliness level, amount of contamination, the maximum pressure setting and the required filter service life.

### Filter Element

The filter element is located in the filter housing and performs the actual filtering task.

### Filtration Efficiency

Filtration efficiency E is a measure of the effectiveness of a filter element for separating solid particles. It is given in percent.

### Filter Housing

Depending on the application, the filter housing is built into the pressure or Return-Line and must be designed for the specific operating or system pressure and the flow rate. The filter element is located in the filter housing. Depending on the application, the filter housing may be equipped with a bypass valve, a reversing valve, a clogging indicator and other options.

### Filter Material

The choice of the right filter material is dependent on different criteria. Amongst others, this includes the type of application, the filter function, degree of contamination or alternatively the required dirt-hold capacity (DHC) as well as requirements of chemical or physical resistance. The following list gives you an overview of how these filter materials differ with regard to specific properties:

#### Inorganic Glass Fibre

Inorganic Glass Fibre media are among the most important materials in modern filtration. During production, selected fibres (1 mm ... 5 mm long and with a diameter of 3  $\mu\text{m}$  ... 10  $\mu\text{m}$ ) are processed into a specific mix. The manufacturing process is very similar to paper production. The fibres are bound with a resin and impregnated. The benefit compared to cellulose paper is a fibre structure that is considerably more homogenous and consequently has larger open pored surfaces. As a result, lower flow resistance is achieved.

- Based on Glass Fibres with acrylic or epoxy resin binding
- High retention and dirt-hold capacity (DHC)
- Excellent separation efficiency of the finest particles due to the three-dimensional labyrinth structure with depth filtration
- Outstanding price / performance ratio



## Filter Material (Continuation)

### Polyester

- 100% Polyester Fibres with thermal bonding
- High pressure differential resistance
- Good chemical resistance
- High separation efficiency of the finest particles
- Tear-proof structure

### Cellulose

- Filter material made of Cellulose Fibres with special impregnation
- Variants with the lowest price with good dirt retention capacity
- Not suitable for water based media

### Stainless Fibre

- Sintered Stainless Fibres with three-dimensional labyrinth structure for depth filtration
- Low flow resistance with high dirt-hold capacity
- Excellent chemical and thermal resistance

### Stainless Mesh

Filter elements with a Metal Wire Mesh are often used as a conditionally reusable solution in protection filters, Suction-Line Filters or Return-Line Filters. Depending on the requirements (micron rating, pressure, dynamics) different types of mesh are used like twill, linen, or also Dutch weave.

- Wire mesh fabric made of material 1.4301 or 1.4305 for surface filtration (other material on request)
- Low flow resistance due to large-pored screening surface
- Excellent chemical and thermal resistance
- Cleanable under special conditions

## Flow Rate

This is the amount of fluid that flows past a specific cross-section per unit time. It is given in litres per minute (l/min) or gallons per minute (US GPM).

## Hydraulic Fluid

A pressure liquid is defined to be a fluid used in hydraulic and lubrication systems. According to ISO 6743, the fluids are divided into mineral oil based, flame resistant and biodegradable liquids.

## Micron Rating

Regarding micron rating, we must differentiate between the filter materials that are used. To define the micron rating for Inorganic Glass Fibre filter elements, the  $\beta$ -value as per ISO 16889 is commonly used.

## Absolute and Nominal micron rating

Micron rating is the size of particles which are filtered out by filters at a certain efficiency. When this efficiency is at least 99.5%, we speak about absolute micron rating/filtration.

Nominal micron rating is just a commercial trick for all efficiencies lower than 99.5%, meaning that for the same micron rating (for ex. 5  $\mu\text{m}$ ) in the case of nominal rating, not all particles will be captured in the filter as in the case of absolute micron rating.

## Multipass Test

The Multipass Test evaluates the performance of a filter element. Standardised in ISO 16889-2008, this test allows comparable and repeatable results of the elements performance. If a normal filter element life is between a few weeks up to several months, this test reduces this life down to 90 minutes. The element is subjected to a fluid that a large amount of a special test dust ISO MTD contains. Results are given for the  $\beta$ -ratio, dirt-hold capacity (DHC) and differential pressure. It is used for designing hydraulic circuits, developing new filter materials and comparison of different filter elements.

See also page 18 and page 19 to get more information about the outcome data. In former time this test was also known as the Multipass Test ISO 4572.

## Nominal Flow Rate

The nominal flow rate describes the flow rate or the volumetric flow rate for which the respective filter has been designed. It is usually given in litres per minute (l/min) or US Gallons per minute (US GPM) and is an important parameter in the filter design.

## Nominal Pressure

Pressure for which the filter is designed and which it can be identified with.

## Operating Pressure / System Pressure

Maximum pressure with which the filter may be used.

## Surface Filter

Impurities are separated on the surface of the filter element. Surface filters are designed to have uniform pores (gaps), therefore they can almost completely retain specific particle sizes. Surface filters are made of Metal Wire Mesh or Cellulose materials.

Other surface filters are metal-edge filters.

## Valve

### Bypass Valve

A bypass valve is a valve that is integrated in a filter or filter element and allows the oil to bypass the contaminated filter element if a defined pressure differential is exceeded. Bypass valves are used to protect the filter element.

### Non-Return Valve

It prevents the continuation line from draining while the filter element is changed.

### Reverse Flow Valve

It is used to bypass the filter element for reversible oil flow so that the fluid does not pass through the filter element in the reverse direction.

### Multi-Function Valve

A combination of bypass, reverse flow and non-return valve.

## Viscosity

The viscosity of a fluid describes the flow behavior of a liquid. There are the kinematic viscosity  $\nu$  with the unit "m<sup>2</sup>/s" and the dynamic viscosity  $\eta$  with the unit "Ns/m<sup>2</sup>". In the field of filtration, in the design of filters the kinematic viscosity is required for calculating. The kinematic viscosity  $\nu$  can also be calculated with the dynamic viscosity  $\eta$  and density  $\rho$ :

$$\nu = \frac{\eta}{\rho}$$

The kinematic viscosity unit is "mm<sup>2</sup>/s", before it was called centistokes or Stokes (1 cSt = 1 mm<sup>2</sup>/s = 10<sup>-6</sup> m<sup>2</sup>/s). The unit of dynamic viscosity is "Ns/m<sup>2</sup>", it was previously reported in Poise (10 P = 1 Ns/m<sup>2</sup> = 1 Pa s).



A

## Choice of Filters

### Choice of a Suitable Micron Rating

Generally, the type of components incorporated in the hydraulic system will determine the micron rating required. It has been clearly demonstrated that system components will operate reliably for years if a specific minimum oil cleanliness grade is maintained. Frequently the choice will be determined by the most sensitive component in the system.

#### a) Operating Filter

To get a rough, first rating of what filter is needed to assure a certain oil cleanliness grade please have a look at page 19.

Apart from the specific flow rate (l/min per cm<sup>2</sup> of filter area), other factors such as operating environment and condition of seals and breathers can have an effect on the cleanliness grade which can actually be achieved.

#### b) Protective Filter

Occasionally, protective filters are fitted downstream of major components, e.g. the pump, to collect the debris in case of a catastrophic failure. This avoids total stripping and flushing of the system. For economic reasons, protective filters are normally one grade coarser than the operating filters since they do not significantly contribute to the cleaning of the system and this extends filter service intervals.

### Choice of the Optimum Filter

In selecting the filter, the following information must be considered:

- Maximum flow volume (Q<sub>max</sub>) through the filter including surge flows
- Kinematic viscosity (ν) of the fluid in mm<sup>2</sup>/s (cSt) at cold start temperature and operating temperature
- Density ρ of the fluid
- Micron rating (μm): see table on page 19
- Filter material

The aim is to choose a filter whose total differential pressure (Δp) is not higher than Δp<sub>max</sub> = 1,0 bar (for Pressure Filters) or Δp<sub>max</sub> = 0,5 bar (for Return-Line filters), in a clean state at the normal operating temperature. These values have been proven in practice to give the optimum service life for the element.

The nominal flow volume of the filter is the obvious reference value for pre-selection and this should be larger than the flow to be filtered.

$$Q_{nom} > Q_{max}$$

Calculations based on the filter data will verify whether the pre-selected filter meets the requirements, at operating temperatures:

$$\begin{aligned} \Delta p_{max} &\leq 1,0 \text{ bar (for Pressure Filter)} \\ \Delta p_{max} &\leq 0,5 \text{ bar (for Return-Line Filter)} \end{aligned}$$

The total differential pressure of the assembly Δp<sub>Assy</sub> is calculated by adding the differential pressure of the housing Δp<sub>Hous</sub> and that of the element Δp<sub>Elem</sub>. Both the kinematic viscosity and density of the operating medium should be considered for the selection, as the flow curves on the pages following have been determined with a kinematic viscosity of ν = 30 cSt and a density of ρ = 0,86 kg/dm<sup>3</sup>. The values of the pressure drops for the Δp<sub>Hous</sub> and the Δp<sub>Elem</sub> can be read from the flow curves on the pages following. The values for the kinematic viscosity in cSt and the density in kg/dm<sup>3</sup> should be inserted into the following formula:

$$\Delta p_{Assy} = \frac{\rho}{0,86} \cdot \Delta p_{Hous} + \frac{\rho}{0,86} \cdot \frac{\nu}{30} \cdot \Delta p_{Elem}$$

The filter size is suitable if the Δp<sub>Assy</sub> < Δp<sub>max</sub>. If the calculated Δp<sub>Assy</sub> is higher than Δp<sub>max</sub> select the next larger filter size and re-calculate until a satisfactory solution is found.

The following two examples explain and help to understand the procedure of calculating a filter.

## Examples of Calculation

### Example 1: Selection Pressure Filter

System Information: A Pressure Filter with an Inorganic Glass Fibre element is required immediately after the pump. The system has standard components and is operating at pressures up to 200 bar. The filter shall be fitted with a bypass valve and a visual clogging indicator.

For better understanding only the calculation at the upper temperature is carried out.

Data given:	Q <sub>max</sub> :	100 l/min
	Oil type:	ISO 68
	Temperature max.:	+50°C
	Viscosity ν <sub>operating</sub> :	44 mm <sup>2</sup> /s
	Density ρ:	0,882 kg/dm <sup>3</sup>
	Micron rating:	10 μm (see table on page 19)

#### First Step

Pre-selection of the size: SF-045, Q<sub>nominal</sub> = 160 l/min > Q<sub>max</sub>

Pressure drop values (at viscosity of 30 mm<sup>2</sup>/s) from the flow characteristics:

$$\begin{aligned} \Delta p_{Hous} &= 0,15 \text{ bar} && \text{(SF-045 ... , see page 40)} \\ \Delta p_{Elem} &= 0,77 \text{ bar} && \text{(SE-045-G-10-B/4, see page 40)} \end{aligned}$$

Determination of the correction factor:

$$\Delta p_{Assy} = \frac{0,882}{0,86} \cdot 0,15 \text{ bar} + \frac{0,882}{0,86} \cdot \frac{44}{30} \cdot 0,77 \text{ bar}$$

$$\Delta p_{Assy} = 1,31 \text{ bar} \geq \Delta p_{max} = 1,0 \text{ bar}$$

Since the actual pressure drop is larger than the allowed pressure drop, a larger filter has to be chosen.

#### Second Step

Selection of the next larger filter size: SF-070, Q<sub>nominal</sub> = 240 l/min > Q<sub>max</sub>

$$\begin{aligned} \Delta p_{Hous} &= 0,15 \text{ bar} && \text{(SF-070 ... , see page 40)} \\ \Delta p_{Elem} &= 0,45 \text{ bar} && \text{(SE-070-G-10-B/4, see page 40)} \end{aligned}$$

$$\Delta p_{Assy} = \frac{0,882}{0,86} \cdot 0,15 \text{ bar} + \frac{0,882}{0,86} \cdot \frac{44}{30} \cdot 0,45 \text{ bar}$$

$$\Delta p_{Assy} = 0,83 \text{ bar} \leq \Delta p_{max} = 1,0 \text{ bar}$$

In a clean state, this filter fulfills the requirements and is suitable for the application. The correct filter designation would be **SF-070-G-10-B-T-G20-B-V**.



**Example 2: Selection Return-Line Filter**

System Information: A Return-Line filter with a Cellulose element with a micron rating of 10 µm is required to clean the oil. No logging indicator is required.

Please note: If the system incorporates either accumulators or cylinders, the return flow can dramatically exceed pump flow and the maximum surge flow should be the flow used to calculate the pressure drop through the filter.

Data given:	$Q_{\max}$ :	100 l/min
	Oil type:	ISO 68
	Temperature max.:	+60°C
	Viscosity $\nu_{\text{operating}}$ :	29 mm <sup>2</sup> /s
	Density $\rho$ :	0,882 kg/dm <sup>3</sup>
	Micron rating:	10 µm (see table on page 19)

**First Step**

Pre-selection of the size: RF-030,  $Q_{\text{nominal}} = 110 \text{ l/min} > Q_{\max}$

Pressure drop values (at viscosity of 30 mm<sup>2</sup>/s) from the flow characteristics:

$$\begin{aligned} \Delta p_{\text{Hous}} &= 0,30 \text{ bar} && (\text{RF-030 ... , see page 72}) \\ \Delta p_{\text{Elem}} &= 0,067 \text{ bar} && (\text{RE-030-N-10-B, see page 72}) \end{aligned}$$

Determination of the correction factor (see page 22):

$$\Delta p_{\text{Assy}} = \frac{0,882}{0,86} \cdot 0,30 \text{ bar} + \frac{0,882}{0,86} \cdot \frac{29}{30} \cdot 0,067 \text{ bar}$$

$$\Delta p_{\text{Assy}} = 0,37 \text{ bar} \leq \Delta p_{\max} = 0,5 \text{ bar}$$

In a clean state, this filter fulfills the requirements and is suitable for the application. No further calculation is necessary. The correct filter designation would be **RF-030-N-10-B-G16**.







**Filter Elements** 24 - 33



**Filter Material – Quality And Properties** 26



For Return-Line Filters 27



For Pressure Filters 27



For Spin-On-Filters 28



For Suction Strainers 28

**Interchanging STAUFF Filter Elements** 29

Order Codes



**Special Filter Element Solutions** 30

**Checklist for the selection of filter housings** 31



**Filter Elements** 32 - 33  
For Single, Double and Automatic Filters

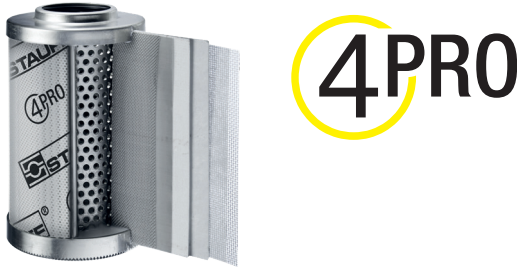


## Replacement Filter Elements for Applications involving Hydraulic and Lubrication Oils

### The STAUFF 4PRO Glass Fibre Elements

The PLUS for customers:

- Longer operating times through higher dirt holding capacity
- Improved energy efficiency through lower differential pressure
- Excellent  $\beta$  values and outstanding  $\beta$  stability



The 4Pro stands for 4 pros that characterise STAUFF glass fibre materials:

- **proACTIVE**
- **proGRESSIVE**
- **proFESSIONAL**
- **proTECTION**

Or simply: **Fo(u)r Protection**

In terms of the  $\beta$  value, STAUFF elements have always exhibited excellent performance. For those who take filtration seriously, there's no other valid approach – the measured values must hold up under any inspection. The elements cannot afford any vulnerabilities. The new generation of elements also have excellent dirt holding capacities. Values that users have been looking for. Values that make it possible for the user to extend operating times thereby providing significant reductions to purchasing costs for elements as well maintenance costs.

### Protecting Filter Elements Against Direct Flow Impact

The sensitive filter bellows on filter elements are frequently prone to damage during transportation, storage and filter replacement work. In addition, large particles in the flow of fluid may harm the filter material.

STAUFF offers a solution: SE and RE series filter elements with protective sheath (only available for glass fibre elements). This is a thin, perforated plastic sheet that completely encases the pleats of the filter from the outside as well as making the element more stable. A further positive effect is that the volume of flow is distributed more evenly by the protective sheath, thus ensuring an efficient flow rate.

In its standard version, the foil is printed with the STAUFF 4PRO logo, eliminating any mix-up with other brands. Larger quantities can also be produced with a customised imprint on the sheath.

### $\beta$ value

Key evaluation criteria for filter elements using glass fibre technology are the retention rate (micron rating) the  $\beta$  value, the  $\beta$  stability, the dirt holding capacity and the initial pressure differential. These values are determined using the multipass test established by ISO 16889.

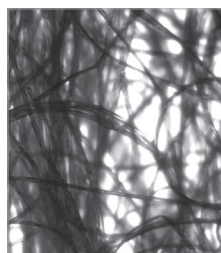
The designation for STAUFF elements typically includes a rating based on filter fineness.

Filter designation $\beta$ value > 200 according to ISO 4406	$\beta_{(c)} > 200$ ISO 11171	$\beta_{(c)} > 1000$ ISO 11171
03	4,0 $\mu\text{m}_{(c)}$	4,5 $\mu\text{m}_{(c)}$
05	5,0 $\mu\text{m}_{(c)}$	6,0 $\mu\text{m}_{(c)}$
10	8,8 $\mu\text{m}_{(c)}$	11,0 $\mu\text{m}_{(c)}$
20	21,0 $\mu\text{m}_{(c)}$	23,0 $\mu\text{m}_{(c)}$

### Filter Material – Quality And Properties

The choice of the right filter material is dependent on different criteria. Among others, this includes the type of application, the filter function, degree of contamination or alternatively the required dirt-hold capacity as well as requirements of chemical or physical resistance. Inorganic Glass Fibre, Polyester, Cellulose, Stainless Fibre Material and Stainless Steel Wire Mesh are used for hydraulic applications.

The following list gives you an overview of how these five filter materials differ with regard to specific properties:

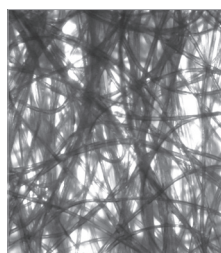


#### Inorganic Glass Fibre

- Inorganic Glass Fibre based on synthetic fibres with acrylic resin binding
- Large dirt-hold capacity
- Excellent separation efficiency of the finest particles due to the three-dimensional labyrinth structure with deep-bed filtration
- Outstanding price/performance ratio

#### Micron rating

- 3 ... 25  $\mu\text{m}$  (alternative micron ratings on request)

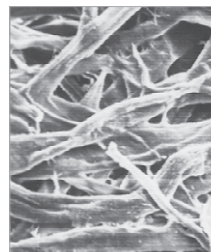


#### Polyester Fibre

- 100% Polyester Fibres with thermal bonding
- High pressure differential resistance
- Good chemical resistance
- High separation efficiency of the finest particle
- Tear-proof structure

#### Micron rating

- 3 ... 25  $\mu\text{m}$  (alternative micron ratings on request)

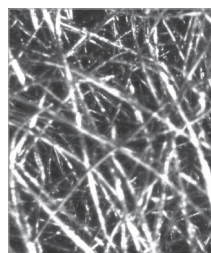


#### Cellulose Fibre

- Filter material made of Cellulose Fibres with special impregnation
- Variants with lowest price with good dirt-hold capacity
- Not suitable for water based fluids

#### Micron rating

- 10 ... 50  $\mu\text{m}$  (alternative micron ratings on request)

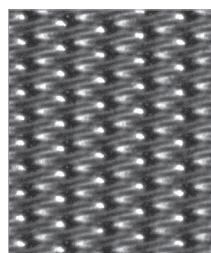


#### Stainless Fibre

- Sintered Stainless Fibres with three-dimensional labyrinth structure for depth filtration
- Low flow resistance with high dirt-hold capacity
- Excellent chemical and thermal resistance

#### Micron rating

- 3 ... 25  $\mu\text{m}$  (alternative micron ratings on request)



#### Stainless Mesh

- Wire Mesh fabric made of material 1.4301 or 1.4305 for surface (other material on request)
- Type of weave: square weave or Dutch weave
- Low flow resistance due to large-pored screening surface
- Excellent chemical and thermal resistance

#### Micron rating

- 10 ... 1000  $\mu\text{m}$  (alternative micron ratings on request)



## Replacement Filter Elements for Applications involving Hydraulic and Lubrication Oils

## Replacement Filter Element for Return-Line Filters

**Filter media**

- Inorganic Glass Fibre
- Polyester Fibre
- Cellulose Fibre
- Stainless Fibre
- Stainless Mesh

**Micron rating**

- see on page 26 Filter Materials

**max.  $\Delta p$ \*collapse**

- 10 ... 25 bar / 145 ... 362 PSI

**Sealing Material**

- NBR (Buna-N®)
- FKM (Viton®)
- EPDM

**Bypass**

- 1 ... 7 bar / 0 ... 101 PSI

**End cap**

- Plastic / Steel / Stainless Steel (alternative End caps on request)

Note: \* Collapse / burst resistance as per ISO 2941.



B

**Filter media**

- Inorganic Glass Fibre
- Polyester Fibre
- Cellulose Fibre
- Stainless Fibre
- Stainless Mesh

**Micron rating**

- see on page 26 Filter Materials

**max.  $\Delta p$ \*collapse**

- 10 ... 210 bar / 145 ... 3045 PSI

**Sealing Material**

- NBR (Buna-N®)
- FKM (Viton®)
- EPDM

**End cap**

- Steel / Stainless Steel / Aluminium (alternative End caps on request)

Note: \* Collapse / burst resistance as per ISO 2941.

## Replacement Filter Element for Pressure Filters



## Replacement Filter Elements for Applications involving Hydraulic and Lubrication Oils

### Replacement Filter Element for Spin-On-Filters (see on Page 168 - 173)

B



**max.  $\Delta p^*$ collapse**

- 5 ... 10 bar / 72 ... 145 PSI

**Sealing Material**

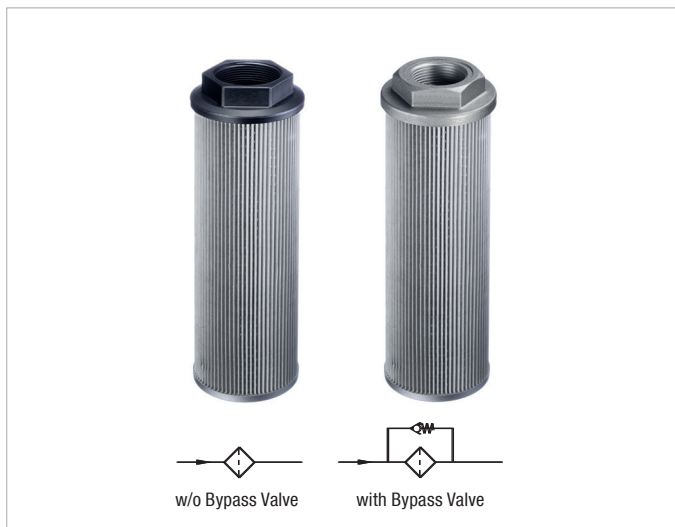
- NBR (Buna-N®)

**Connection Thread**

- BSP / UNF / NPT

Note: \* Collapse / burst resistance as per ISO 2941.

### Replacement Filter Element for Suction Strainers



**Filter media**

- Stainless Mesh

**Micron rating**

- 60, 125, 250  $\mu\text{m}$

**Flow Rate**

- 12 - 400 l/min / 3.1 - 104 US GPM

**Bypass**

- 0,2 bar / 2.9 PSI

**End cap**

- Aluminium / Plastic

**Connection Thread**

- BSP / NPT

Note: \* Collapse / burst resistance as per ISO 2941.

For details, please see Catalogue No. 10 - Hydraulic Accessories.



## Interchanging STAUFF Filter Elements

As well as original Filter Elements for our own filter housings, STAUFF also provides access to a comprehensive range of Replacement Filter Elements. They match the quality and can be installed in the products of for example:

- Argo-Hytos
- Donaldson
- Eppensteiner Bosch Rexroth
- Fairey Arlon
- Hydac
- Mahle
- Internormen
- Pall
- Parker
- Other types are available on request

STAUFF offers many options for filter conversion, design and calculation and supports interested parties and customers with the design of efficient solutions:

- Online filter search with more than 65000 data sets under [www.filterinterchange.com](http://www.filterinterchange.com)
- Offline filter database with deposited measurements, filter surfaces and drawings
- Filter selection software for easy filter design and calculation

Thanks to their excellent dirt-hold capacity, all of the filter products supplied by STAUFF have an impressive long service life and high  $\beta$  value stability:

- Inorganic glass fibre, filter paper, stainless fibre (micron ratings between 3  $\mu\text{m}$  and 25  $\mu\text{m}$  respectively) as well as stainless mesh (micron ratings between 10  $\mu\text{m}$  and 1000  $\mu\text{m}$ )
- Maximum differential pressure depending on filter media and application for the options 16 bar / 232 PSI, 30 bar / 435 PSI or 210 bar / 3000 PSI.

**Your local STAUFF Distributor will assist you interchanging to STAUFF elements.**

**B**

Find the suitable STAUFF replacement filter element at

[www.filterinterchange.com](http://www.filterinterchange.com)



It's this easy:



search



enquire



save

Your advantages:

- Over 65000 datasets from various manufacturers
- Conversion for all common filter brands and types
- Watch list function for storing search results
- Request price and delivery time with enquiry history

## Order Codes

**RE - 045 - G - 20 - B / X - 123456**

①      ②      ③      ④      ⑤      ⑥      ⑦

### ① Type

Series	Filter Element
Argo-Hytos High Pressure Filter Element	<b>SD</b>
Argo-Hytos Medium Pressure Filter Element	<b>MD</b>
Argo-Hytos Return-Line Filter Element	<b>RD</b>
Argo-Hytos Suction-Line Filter Element	<b>AD</b>
Eppensteiner Bosch Rexroth High Pressure Filter Element	<b>SS</b>
Eppensteiner Bosch Rexroth Return-Line Filter Element	<b>RS</b>
Eppensteiner Bosch Rexroth Low Pressure Filter Element	<b>LS</b>
Fairey Arlon High Pressure Filter Element	<b>SA</b>
Fairey Arlon Return-Line Filter Element	<b>RA</b>
Hydac High Pressure Filter Element	<b>SE</b>
Hydac Return-Line Filter Element	<b>RE</b>
Mahle High Pressure Filter Element	<b>SL</b>
Mahle Low Pressure Filter Element	<b>ML</b>
Mahle Return-Line Filter Element	<b>RL</b>
Internormen High Pressure Filter Element	<b>SN</b>
Internormen Return-Line Filter Element	<b>RN</b>
Pall High Pressure Filter Element	<b>SP</b>
Pall Return-Line Filter Element	<b>RP</b>
Medium Pressure Filter Element according to standard	<b>NL</b>
Return-Line Filter Element according to standard	<b>NR</b>
Spin-On Filter Element	<b>SFC</b>
Special Element STAUFF	<b>SXX</b>

Note: Other series on request

### ② Nominal Size

Depending on the nominal flow or element length

### ③ Filter Material and Pressure Setting

Stainless Fibre, high collapse pressure	<b>A, M</b>
Stainless Wire mesh, low collapse pressure	<b>B, S</b>
Polyester Fibre, high collapse pressure	<b>C, Q</b>
Filter Paper, low collapse pressure	<b>D, K, L, N</b>
Inorganic Glass Fibre, low collapse pressure	<b>E, G</b>
Inorganic Glass Fibre, high collapse pressure	<b>F, H</b>
Stainless Wire Mesh, high collapse pressure	<b>R, T, W</b>

### ④ Micron Rating

Stainless Wire Mesh	
10 $\mu\text{m}$	<b>10</b>
20 $\mu\text{m}$	<b>20</b>
25 $\mu\text{m}$	<b>25</b>
40 $\mu\text{m}$	<b>40</b>
50 $\mu\text{m}$	<b>50</b>
60 $\mu\text{m}$	<b>60</b>
80 $\mu\text{m}$	<b>80</b>
100 $\mu\text{m}$	<b>100</b>
125 $\mu\text{m}$	<b>125</b>
150 $\mu\text{m}$	<b>150</b>
200 $\mu\text{m}$	<b>200</b>
500 $\mu\text{m}$	<b>500</b>
1000 $\mu\text{m}$	<b>1000</b>
Stainless Stainless Fibre	
3 $\mu\text{m}$	<b>03</b>
5 $\mu\text{m}$	<b>05</b>
10 $\mu\text{m}$	<b>10</b>
20 $\mu\text{m}$	<b>20</b>
25 $\mu\text{m}$	<b>25</b>
Filter paper	
10 $\mu\text{m}$	<b>10</b>
20 $\mu\text{m}$	<b>20</b>
50 $\mu\text{m}$	<b>50</b>

### ④ Micron Rating

Inorganic Glass Fibre	
3 $\mu\text{m}$	<b>03</b>
5 $\mu\text{m}$	<b>05</b>
10 $\mu\text{m}$	<b>10</b>
15 $\mu\text{m}$	<b>15</b>
20 $\mu\text{m}$	<b>20</b>
25 $\mu\text{m}$	<b>25</b>
Polyester Fibre	
3 $\mu\text{m}$	<b>03</b>
5 $\mu\text{m}$	<b>05</b>
10 $\mu\text{m}$	<b>10</b>
20 $\mu\text{m}$	<b>20</b>
25 $\mu\text{m}$	<b>25</b>

Note: Other micron ratings on request

### ⑤ Sealing Material

NBR (Buna-N®)	<b>B</b>
FKM (Viton®)	<b>V</b>
EPDM	<b>E</b>

Note: Other sealing materials on request.

### ⑥ Design Code

Only for information	<b>X</b>
----------------------	----------

### ⑦ STAUFF Special Number

If element varies from the standard type	<b>X</b>
--	----------



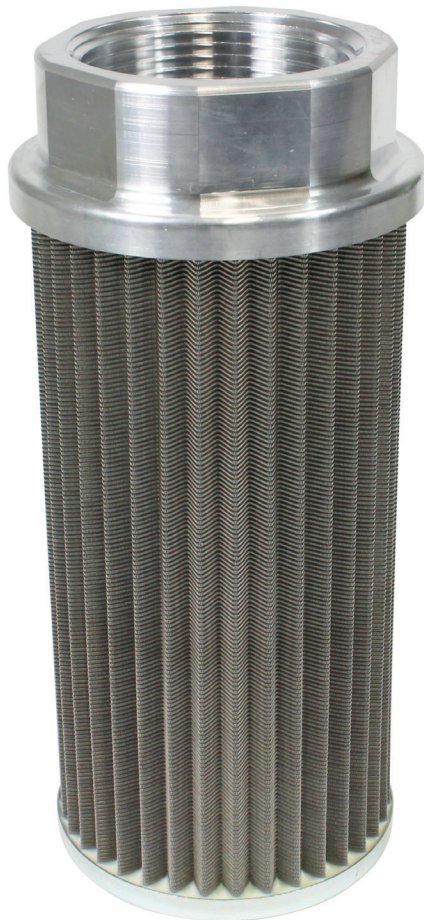
Special Filter Element Solutions



Special Ammonia Filter Element



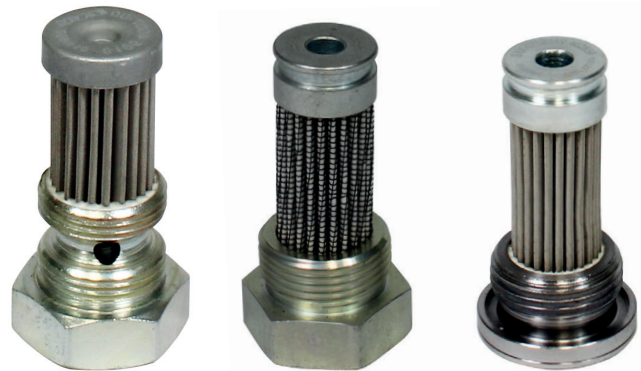
High Pressure Block with Threaded Filter Element



Special Suction Strainer



Filter Element with Bypass and Special Sealing



High Pressure Threaded Elements

Custom-designed Filter element solutions in addition to the Original-STAUFF-Filtartion Technology range according to customers specifications or based on STAUFF developments.

If you have similar requirements please contact STAUFF.



### Checklist for the selection of filter housings

Please use the following Checklist as a guideline when preparing an enquiry for the selection of filter housings. Scan or copy the page from the catalogue, print and com-

plete it with as much information as possible, before sending it by email or fax to the closest STAUFF branch office. If possible, please also let us know the quantities required,

and if the enquiry is for a one-time or recurring demand. We look forward to hearing from you, and are always available for consultation, when required.

**Information on the fluid in use**

**Type of fluid**  Brand  ISO designation

**Fluid viscosity**   mm<sup>2</sup>/sec  cSt

**Fluid temperature**  °C  °F  In cold condition  In warm condition

**Information on the filter housing**

**Position in the hydraulic system**  Suction line  Pressure line  Return line

**Operating pressure**   bar  PSI

**Nominal flow**   l/min  US GPM

**Valve**  No, not required  
 Yes, the following type:  Bypass valve  Non-return valve  Reverse flow valve  Multi-function valve

**Clogging indicator**  No, not required  
 Yes, the following type:  Visual  Electrical  Visual-electrical

**Connection type and size**

**Sealing material**  NBR (Buna®)  FKM (Viton®)  Other

**Information on the filter element**

**Filter media**  Inorganic Glass Fibre  Polyester Fibre  Cellulose Fibre  Stainless Fibre  Stainless Mesh

**Micron rating**  µm

**Cleanliness level**  (to ISO 4406)

**Information on the application**

**Information on the ambient conditions**

**Additional information and requirements**

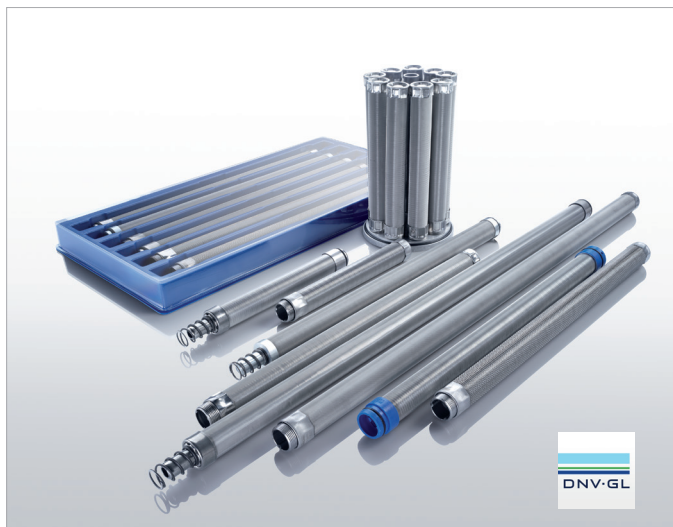
B



## Replacement Filter Elements for Single, Double and Automatic Filters

### Screw-In and Plug-In Elements ■ Type SFK

B



We produce high-quality Screw-In and Plug-In Elements in Stainless Steel design or in Plastic design. They fit into the most common single, double and automatic filters.

**Length**

- 220 mm ... 750 mm / 8.66 in ... 29.53 in

**Diameter**

- 30 mm / 1.18 in

**Filter media**

- Stainless Mesh

**Micron rating**

- 10 ... 200 µm (alternative micron ratings on request)

**End cap**

- Stainless Steel / Plastic

**Application**

- For lubricating oils, heavy fuels, water, chemicals and cooling lubricants

### Star-Pleated Elements, Basket and Ring Sieves ■ Types SBS and SBK



We deliver high-quality Star- Pleated Elements, Basket and Ring Sieves in Stainless Steel design with particularly pleated filter media which offer a very good filtrate quality and aw long durability.

**Length**

- 95 mm ... 390 mm / 3.74 in ... 15.35 in

**Diameter**

- 65 mm ... 85 mm / 2.56 in ... 3.35 in

**Filter media**

- Stainless Mesh

**Micron rating**

- 10 ... 200 µm (alternative micron ratings on request)

**End cap**

- Stainless Steel

**Application**

- For lubricating oils, heavy fuels, water, chemicals and cooling lubricants

### Heavy Fuel Elements ■ Type SFK-439



STAUFF Heavy Fuel Elements separate particles from the fluid flow as the last filtration step before direct injection to the engine room / combustor.

**Length**

- 439 mm / 17.28 in

**Diameter**

- 48 mm / 1.89 in

**Filter media**

- Stainless Mesh

**Micron rating**

- 6 µm or 10 µm

**End cap**

- Stainless Steel

**Application**

- Separation of particles from the fluid flow as the last filtration step before direct injection to the engine room / combustor.





## Replacement Filter Elements for Single, Double and Automatic Filters

## Paper, Fibreglass and Polyester Elements ■ Type SBS-124

Due to the pleated design of STAUFF Paper Elements, they can offer a large filter area in a small place and with a long durability. The cover made of Polyester allows a safe treatment during the installation and the demounting without damaging the filter media.

**Length**

- 254 mm, 500 mm or 750 mm / 10.00 in , 19.69 in oder 29.53 in (alternative lengths on request)

**Diameter**

- 124 mm / 4.88 in

**Filter media**

- Paper, Fibreglass and Polyester (Stainless Mesh on request)

**Micron rating**

- 10 µm or 50 µm (alternative micron ratings on request)

**End cap**

- Steel, zinc plated or Stainless Steel

**Application**

- Bypass and flushing filter for automatic filters and double filters in the field of lubricating oil



B

## Plastic Elements ■ Types SFK-320 and SFK-445

STAUFF Plastic Elements have a special cloth and a special format which ensure the safety and the optimal protection of the motors. The molded end caps allow a quick installation and demounting as they can be easily connected.

**Length**

- 320 mm or 445 mm / 12.59 in oder 17.52 in

**Diameter**

- 19 mm ... 33 mm / 0.75 in ... 1.29 in

**Filter media**

- Plastic (Stainless Mesh on request)

**Micron rating**

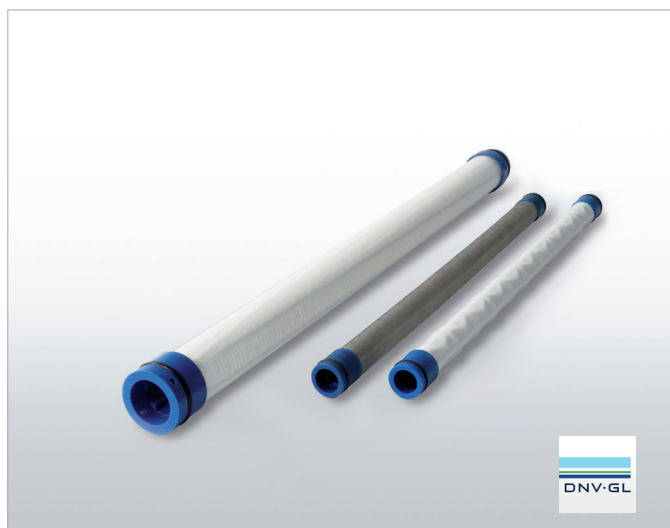
- 25 µm or 31 µm

**End cap**

- Plastic

**Application**

- Pre-filter of motors



## Multimantle Elements ■ Type SBM

Multimantle Elements in different types and sizes complete the STAUFF exchange program.

**Length**

- 128 mm ... 723 mm / 5.03 in ... 28.46 in

**Diameter**

- 86 mm ... 230 mm / 3.39 in ... 9.05 in

**Filter media**

- Stainless Mesh

**Micron rating**

- 10 µm ... 2000 µm

**End cap**

- Aluminium

**Application**

- Multimantle filter elements are generally used in marine applications for filtering fuels and lubricants as well as water. The elements are also used in the processing industry for purifying water, oils, coolants and chemicals.





**Overview Pressure Filters 36**

SF / SF-TM / SFA / SFZ / SMPF


**High Pressure Filters (Inline) SF 37 - 40**  
 Max. 420 bar / 6000 PSI  
 Max. 1135 l/min / 300 US GPM

Technical Data / Dimensions 38 - 39

Order Code - High Pressure Filter 40

Order Code - Filter Elements 40


**High Pressure Filters (Top-mounted) SF-TM 41 - 44**  
 Max. 315 bar / 4560 PSI  
 Max. 1135 l/min / 300 US GPM

Technical Data / Dimensions 42 - 43

Order Code - High Pressure Filter 44

Order Code - Filter Elements 44


**High Pressure Filters (Sandwich) SFZ 45 - 48**  
 Max. 315 bar / 4560 PSI  
 Max. 30 l/min / 8 US GPM

Technical Data / Dimensions 46 - 47

Order Code - High Pressure Filter 48

Order Code - Filter Elements 48


**Medium Pressure Filters (Inline) SFA 49 - 52**  
 Max. 160 bar / 2320 PSI  
 Max. 240 l/min / 70 US GPM

Technical Data / Dimensions 50 - 51

Order Code - Medium Pressure Filter 52

Order Code - Filter Elements 52

**Valves (for SF / SF-TM / SFA / SFZ) 53**

HV

**Clogging Indicators (for SF / SF-TM / SFA / SFZ) 54 - 55**

HI

**Flow Characteristics 56 - 58**

SF / SF-TM / SFA / SFZ


**Medium Pressure Filters (Inline) SMPF 59 - 62**  
 Max. 110 bar / 1600 PSI  
 Max. 90 l/min / 25 US GPM

Technical Data / Dimensions 60 - 61

Order Code - Medium Pressure Filter 62

Order Code - Filter Elements 62

**Clogging Indicators 63**

HIM

**Flow Characteristics 64**

SMPF

**Checklist for the selection of filter housings 65**
**C**


### Description

STAUFF Pressure Filters were designed for in-line mounting in hydraulic and lubrication systems. They are placed behind the pump and clean the hydraulic oil before it flows through down-stream components like valves, cylinders and so on. The main reason for pressure filtration is the protection of downstream, sensitive components. Eroded particles from the pump are immediately filtered out of the hydraulic oil. Besides working as a protection filter, Pressure Filters also help to maintain the required purity class.

Because it is placed right behind the pump, a Pressure Filter has to withstand the maximum system pressure. The filter element in the Pressure Filter also has to withstand the loads and is more intricately constructed, for example as a Return-Line filters element.

STAUFF Pressure Filters are available in many different sizes, connections and configurations.

### Media Compatibility

- Mineral oils, other fluids on request

### Options and Accessories

#### Valve

- Also available with bypass, reverse flow, non-return or multi-function valve

#### Clogging Indicator

- On request with visual, electrical or visual-electrical differential pressure indicator



#### Type SF

- High Pressure Filter designed for in-line assembly
- Threaded mounting holes on top and fluid ports on side of head
- Also available as toplayer, with bowl in two-part style
- Operating pressure: max. 420 bar / 6000 PSI
- Nominal flow rate: max. 1135 l/min / 300 US GPM
- Materials: Filter head: Spheroidal Graphite Cast Iron, Filter bowl: Cold Drawn Steel
- Connections: option of BSP, NPT, SAE thread or SAE flange (ISO 6162-1/2)



#### Type SFA

- Medium Pressure Filter designed for in-line assembly
- Threaded mounting holes on top and fluid ports on side of head
- Low weight and compact design
- Operating pressure: max. 160 bar / 2320 PSI
- Nominal flow rate: max. 240 l/min / 70 US GPM
- Materials: Filter head: Cast Aluminium, Filter bowl: Aluminium
- Connections: option of BSP, NPT, SAE-thread or SAE flange (ISO 6162-1)



#### Type SF-TM

- High Pressure Filter designed for manifold mounting
- Mounting holes and fluid ports on top of head
- Also available as toplayer, with bowl in two-part style
- Operating pressure: max. 315 bar / 4560 PSI
- Nominal flow rate: max. 1135 l/min / 300 US GPM
- Materials: Filter head: Spheroidal Graphite Cast Iron or rather Free Cutting Steel, Filter bowl: Cold Drawn Steel



#### Type SMPF

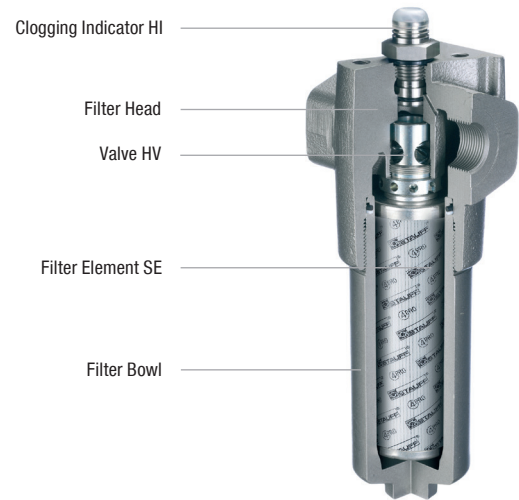
- Medium Pressure Filter designed for in-line assembly
- Operating pressure: max. 110 bar / 1600 PSI
- Nominal flow rate: max. 90 l/min / 25 US GPM
- Materials: Filter head and bowl: Aluminium
- Connections: BSP, SAE-thread



#### Type SFZ

- High Pressure Filter designed for sandwich plate mounting
- Available as right or left version
- Operating pressure: max. 315 bar / 4560 PSI
- Nominal flow rate: max. 30 l/min / 8 US GPM
- Materials: Filter head: Free Cutting Steel, Filter bowl: Cold Drawn Steel



**High Pressure Filters ■ Type SF**

**C**
**Product Description**

STAUFF SF series High Pressure Filters are designed for in-line hydraulic applications, with a maximum operating pressure of 420 bar / 6000 PSI. Used together with STAUFF SE series Filter Elements, a high efficiency of contaminant removal is assured. The high dirt-hold capacity of the elements ensures long service life and, as a result, reduced maintenance costs.

**Technical Data**
**Construction**

- Designed for in-line assembly, with threaded mounting holes on top of the head.

**Materials**

- Filter head: Spheroidal Graphite Cast Iron
- Filter bowl: Cold Drawn Steel
- O-rings: NBR (Buna-N®)  
FKM (Viton®)  
EPDM (Ethylene-Propylene-Diene-Monomer-Rubber)
- Support ring: PTFE (Polytetrafluoroethylene)

**Port Connections**

- BSP
- NPT
- SAE O-ring thread
- SAE 3000 PSI (Code 61) flange
- SAE 6000 PSI (Code 62) flange

Other port connections available on request.

**Operating Pressure**

- Max. 420 bar / 6000 PSI

**Burst Pressure**

- Min. 1260 bar / 18275 PSI

**Temperature Range**

- -10 °C ... +100 °C / +14 °F ... +212 °F

**Filter Elements**

- Specifications see page 40

**Media Compatibility**

- Mineral oils, other fluids on request

**Options and Accessories**
**Valves**

- Bypass valve: Allows unfiltered oil to bypass the contaminated element once the opening pressure has been reached, a differential pressure of  $6^{+0.5}$  bar /  $87^{+7.25}$  PSI  $\Delta p$  is the standard setting. Other settings available upon request.
- Reverse flow valve: Allows reverse flow through the filter head without backflushing the element.
- Non-return valve: Prevents draining of the delivery line during element change.
- Multi-function valve: Opening pressure  $6^{+0.5}$  bar /  $87^{+7.25}$  PSI  
Bypass, reverse flow capability and non-return valve combined in one valve.

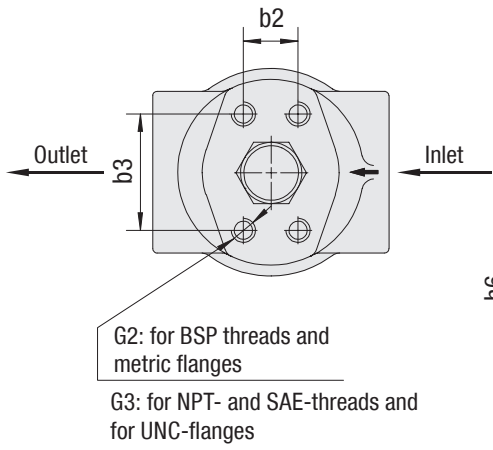
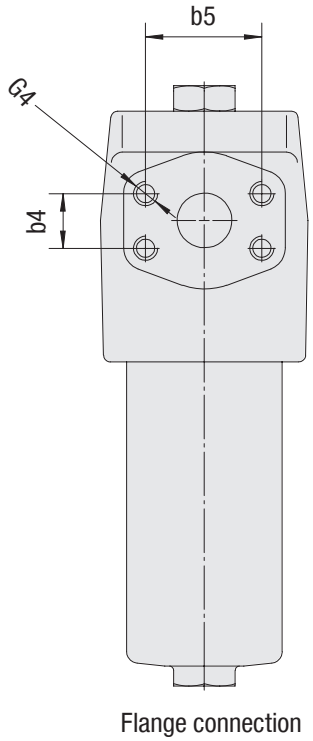
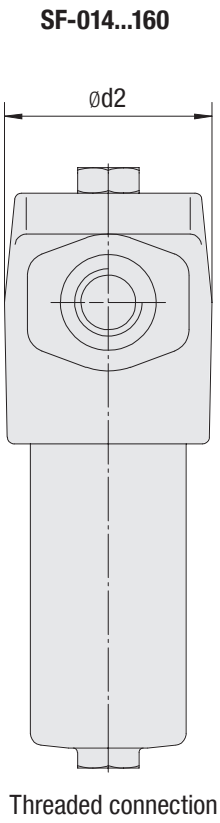
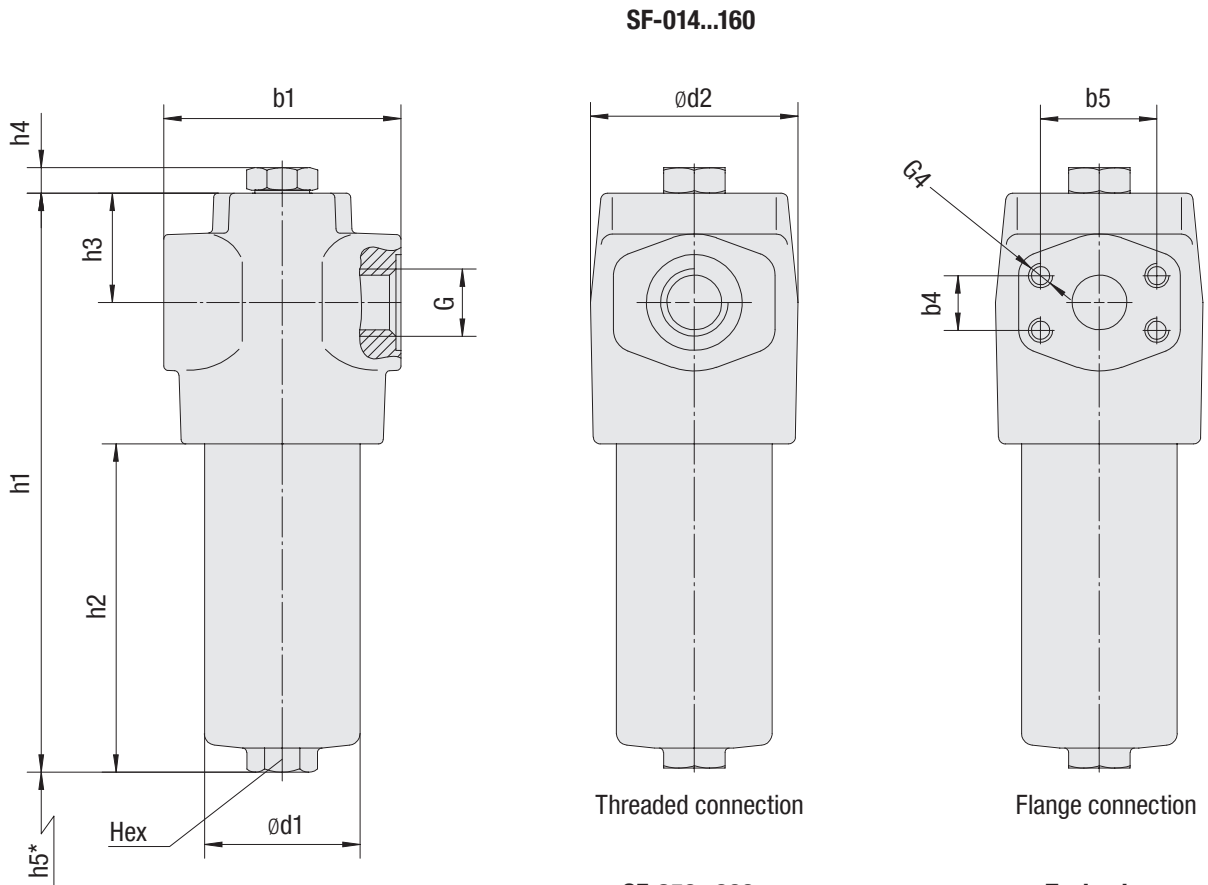
**Clogging Indicators**

- Standard actuating pressure:  $5_{-0.5}$  bar /  $72.5_{-7.25}$  PSI  $\Delta p$   
Other actuating pressure settings are available upon request.
- Available indicators: Visual  
Electrical  
Visual-electrical (24 V DC, 110 V AC, 230 V AC versions)  
Double Visual-electrical (24 V DC)

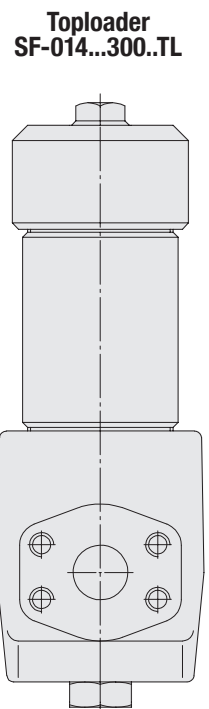
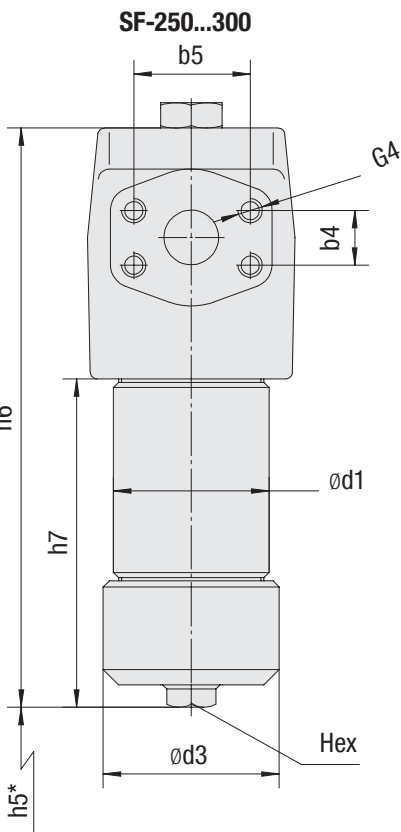


High Pressure Filters ■ Type SF

G



G2: for BSP threads and metric flanges  
 G3: for NPT- and SAE-threads and for UNC-flanges



Filter with filterbowl in two-part style for element change from the top

\* recommended space for element change



**High Pressure Filters ■ Type SF**
**C**

Thread Connection G	Filter Size SF									
	014	030	045	070	125	090	160	250	300	
BSP	3/4	3/4	1-1/4	1-1/4	1-1/4	1-1/2	1-1/2	1-1/2	1-1/2	
NPT	3/4	3/4	1-1/4	1-1/4	1-1/4	1-1/2	1-1/2	1-1/2	1-1/2	
SAE O-ring Thread	1-1/16-12	1-1/16-12	1-5/8-12	1-5/8-12	1-5/8-12	1-7/8-12	1-7/8-12	1-7/8-12	1-7/8-12	
SAE Flange 3000 PSI	3/4	3/4	1-1/4	1-1/4	1-1/4	1-1/2	1-1/2	1-1/2	1-1/2	
SAE Flange 6000 PSI	3/4	3/4	1-1/4	1-1/4	1-1/4	1-1/2	1-1/2	1-1/2	1-1/2	
Weight (kg/lbs) incl. Elements with Filter Bowl in One-Part Style	5,3	6,2	10,3	12	16,3	27	35,5	-	-	
	11.7	13.7	22.7	26.5	35.9	59.9	78.3	-	-	
Weight (kg/lbs) incl. Elements with Filter Bowl in Two-Part Style	5,9	6,9	12,2	13,7	20	32	39,3	49	57,3	
	13	15.2	26.9	30.2	44.1	70.5	86.5	108	126.3	

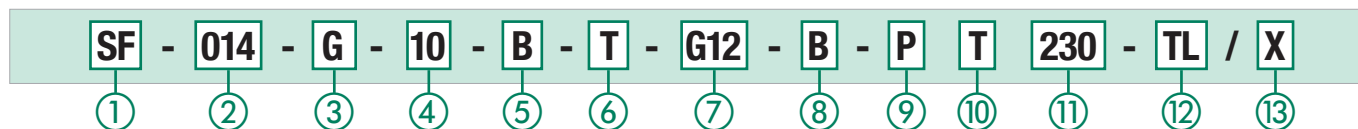
Dimensions (mm/in)		Filter Size SF									
		014	030	045	070	125	090	160	250	300	
b1		104	104	128	128	128	178	178	178	178	
		4.10	4.10	5.04	5.04	5.04	7.01	7.01	7.01	7.01	
d2		91	91	116	116	116	159	159	159	159	
		3.58	3.58	4.57	4.57	4.57	6.26	6.26	6.26	6.26	
h3		48	48	49,5	49,5	49,5	72	72	72	72	
		1.89	1.89	1.95	1.95	1.95	2.84	2.84	2.84	2.84	
h4		12,5	12,5	12,5	12,5	12,5	12,5	12,5	12,5	12,5	
		.49	.49	.49	.49	.49	.49	.49	.49	.49	
with Filter Bowl in One-Part Style Type SF	d1		68	68	95	95	95	130	130	130	130
			2.68	2.68	3.74	3.74	3.74	5.12	5.12	5.12	5.12
	h1		188	254	239	298	483	323	494	-	-
			7.40	10.00	9.41	11.73	19.11	12.72	19.45	-	-
	h2		78	144	103	161	343	148	319	-	-
			3.07	5.67	4.06	6.34	13.5	5.83	12.56	-	-
	h5	rec.*	100	170	140	200	380	190	360	-	-
			3.94	6.69	5.51	7.87	14.96	7.48	14.17	-	-
		min.*	85	85	120	120	120	150	150	-	-
	Hex		3.35	3.35	4.72	4.72	4.72	5.91	5.91	-	-
			27	27	32	32	32	36	36	36	36
	with Filter Bowl in Two-Part Style Type SF...TL	d1		70	70	101,6	101,6	101,6	133	133	133
			2.76	2.76	4	4	4	5.24	5.24	5.24	5.24
d3			84	84	115	115	115	155	155	155	155
			3.31	3.31	4.53	4.53	4.53	6.10	6.10	6.10	6.10
h5			65	130	100	160	340	120	290	425	590
			2.56	5.12	3.94	6.30	13.39	4.72	11.42	16.73	23.23
h6			190	256	241	300	485	329,5	500,5	656,5	821,5
			7.48	10.08	9.49	11.81	19.10	12.97	19.71	25.85	32.34
h7			80	146	103	163	344	154,5	325,5	481,5	646,5
			3.15	5.75	4.06	6.42	13.54	6.08	12.82	18.96	25.45
Hex			27	27	32	32	32	36	36	36	36
			1.06	1.06	1.26	1.26	1.26	1.42	1.42	1.42	1.42
Dimensions SAE Flange 3000 PSI	b4		22,3	22,3	30,2	30,2	30,2	35,7	35,7	35,7	35,7
			.88	.88	1.87	1.87	1.87	1.41	1.41	1.41	1.41
	b5		47,6	47,6	58,7	58,7	58,7	69,9	69,9	69,9	69,9
		1.19	1.19	2.32	2.32	2.32	2.75	2.75	2.75	2.75	
G4		M10 x 15	M10 x 15	M10 x 18			M12 x 20				
		3/8-16 UNC	3/8-16 UNC	7/16-14 UNC			1/2-13 UNC				
Dimensions SAE Flange 6000 PSI	b4		23,8	23,8	31,8	31,8	31,8	36,5	36,7	36,7	36,7
			.94	.94	1.25	1.25	1.25	1.44	1.45	1.45	1.45
	b5		50,8	50,8	66,6	66,6	66,6	79,3	79,4	79,4	79,4
		2.00	2.00	2.62	2.62	2.62	3.12	3.13	3.13	3.13	
G4		M10 x 15		M14 x 17			M16 x 20				
		3/8-16 UNC		1/2-13 UNC			5/8-11 UNC				

Reference: rec.\*: Recommended | min.\*: Minimum

Dimensions (mm/in)		Filter Size SF									
		014	030	045	070	125	090	160	250	300	
T	b2		23,8	23,8	31,6	31,6	31,6	36,7	36,7	36,7	36,7
			.94	.94	1.24	1.24	1.24	1.45	1.45	1.45	1.45
	b3		50,8	50,8	66,7	66,7	66,7	79,4	79,4	79,4	79,4
			2.00	2.00	2.63	2.63	2.63	3.13	3.13	3.13	3.13
	G2		M10 x 15			M14 x 17			M16 x 20		
		3/8-16 UNC x .59			1/2-13 UNC x .79			5/8-11 UNC x .79			
TH (optional)	b2		32	32	35	35	35	60	60	60	60
			1.26	1.26	1.38	1.38	1.38	2.36	2.36	2.36	2.36
	b3		56	56	85	85	85	115	115	115	115
			2.20	2.20	3.35	3.35	3.35	4.53	4.53	4.53	4.53
	G2		M6 x 9			M10 x 15			M12 x 20		
		1/2-28 UNF x .35			3/8-24 UNF x .59			1/2-20 UNF x .79			



### High Pressure Filter Housings / Complete Filters ■ Type SF



#### ① Type

High Pressure Filter **SF**

#### ② Group

Flow	Size
60 l/min / 14 US GPM	<b>014</b>
110 l/min / 30 US GPM	<b>030</b>
160 l/min / 45 US GPM	<b>045</b>
240 l/min / 70 US GPM	<b>070</b>
330 l/min / 90 US GPM	<b>090</b>
475 l/min / 125 US GPM	<b>125</b>
660 l/min / 160 US GPM	<b>160</b>
990 l/min / 250 US GPM	<b>250</b>
1135 l/min / 300 US GPM	<b>300</b>

Note: Exact flow will depend on the selected filter element.  
For technical data please see pages 57 / 58.

#### ③ Filter Material

Material	max. Δp*collapse	Micron ratings available	Code
Without filter element	-	-	<b>O</b>
Inorg. glass fibre	25 bar / 363 PSI	3, 5, 10, 20	<b>G</b>
Inorg. glass fibre	210 bar / 3045 PSI		<b>H</b>
Stainless fibre	210 bar / 3045 PSI		<b>A</b>
Stainless mesh	30 bar / 435 PSI	25, 50, 100, 200	<b>S</b>

Note: \* Collapse/burst resistance as per ISO 2941.

#### ④ Micron Rating

3 µm	<b>03</b>
5 µm	<b>05</b>
10 µm	<b>10</b>
20 µm	<b>20</b>
25 µm	<b>25</b>
50 µm	<b>50</b>
100 µm	<b>100</b>
200 µm	<b>200</b>

Note: Other micron ratings on request.

#### ⑤ Sealing Material

NBR (Buna-N®)	<b>B</b>
FKM (Viton®)	<b>V</b>
EPDM	<b>E</b>

Note: Other sealing materials on request.

#### ⑥ Connecting Flange

Type T	<b>T</b>
Type TH (optional)	TH

#### ⑦ Connection Style

Connection Style	Thread Style	Group		Code	Group			Code
		014	030		045 070 125	090 160 250 300	Code	
BSP	metric	3/4		<b>G12</b>	1-1/4	<b>G20</b>	1-1/2	<b>G24</b>
BSP	metric	1		G16	1-1/2	G24	-	-
NPT	UNC	3/4		<b>N12</b>	1-1/4	<b>N20</b>	1-1/2	<b>N24</b>
SAE O-ring Thread	UNC	1-1/16-12		<b>U12</b>	1-5/8-12	<b>U20</b>	1-7/8-12	<b>U24</b>
SAE Flange 6000 PSI	metric	3/4		C612M	1-1/4	C620M	1-1/2	C624M
SAE Flange 6000 PSI	UNC	3/4		<b>C612U</b>	1-1/4	<b>C620U</b>	1-1/2	<b>C624U</b>
SAE Flange 3000 PSI	metric	3/4		C312M	1-1/4	C320M	1-1/2	C324M
SAE Flange 3000 PSI	UNC	3/4		C312U	1-1/4	C320U	1-1/2	C324U
SAE Flange 3000 PSI	metric	1		C316M	-	-	2	C332M
SAE Flange 3000 PSI	UNC	1		C316U	-	-	2	C332U

Note: Other port connections on request. Bold types identify preferred connection styles.

#### ⑧ Valve

Without valve	<b>O</b>
Bypass valve	<b>B</b>
Reverse flow valve	<b>R</b>
Non-return valve	<b>N</b>
Multi-function valve	<b>M</b>

#### ⑨ Clogging Indicator

Without clogging indicator	<b>O</b>
Visual, with automatic reset	<b>A</b>
Visual, with manual reset	<b>V</b>
Electrical	<b>E</b>
Electrical, Deutsch plug	<b>ED</b>
Visual-electrical	<b>P</b>
Double Visual-electrical	<b>D024</b>

#### ⑩ Thermostop

Without thermostop	<b>none</b>
With thermostop	<b>T</b>

#### ⑪ Voltage (only for Code P)

24 V DC	<b>024</b>
110 V AC	<b>110</b>
230 V AC	<b>230</b>

#### ⑫ Style Filter Bowl

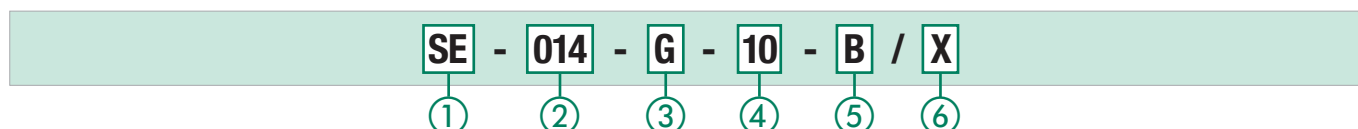
With bowl in one-part style	<b>none</b>
Toploader, with bowl in two-part style	<b>TL</b>

Note: Group size SF-250 and SF-300 only available in TL-version.  
With drain plug available on request.

#### ⑬ Design Code

Only for information	<b>X</b>
----------------------	----------

### Filter Elements ■ Type SE



#### ① Type

Filter Element Series **SE**

#### ② Group

According to filter housing

#### ③ Filter Material

Material	max. Δp*collapse	Micron ratings available	Code
Inorganic glass fibre	25 bar / 363 PSI	3, 5, 10, 20	<b>G</b>
Inorganic glass fibre	210 bar / 3045 PSI		<b>H</b>
Stainless fibre	210 bar / 3045 PSI		<b>A</b>
Stainless mesh	30 bar / 435 PSI	25, 50, 100, 200	<b>S</b>

Note: \* Collapse/burst resistance as per ISO 2941.

#### ④ Micron Rating

3 µm	<b>03</b>
5 µm	<b>05</b>
10 µm	<b>10</b>
20 µm	<b>20</b>
25 µm	<b>25</b>
50 µm	<b>50</b>
100 µm	<b>100</b>
200 µm	<b>200</b>

Note: Other micron ratings on request.

#### ⑤ Sealing Material

NBR (Buna-N®)	<b>B</b>
FKM (Viton®)	<b>V</b>
EPDM	<b>E</b>

Note: Other sealing materials on request.

#### ⑥ Design Code

Only for information	<b>X</b>
----------------------	----------





## High Pressure Filters ■ Type SF-TM



C

**Product Description**

STAUFF SF-TM series High Pressure Filters are designed for manifold block mounting hydraulic applications, with a maximum operating pressure of 315 bar / 4560 PSI. Used together with STAUFF SE series Filter Elements, a high efficiency of contaminant removal is assured. The high dirt-hold capacity of the elements ensures long service life and, as a result, reduced maintenance costs.

**Technical Data**
**Construction**

- Designed for manifold mounting, with mounting holes and fluid ports on top of the head.

**Materials**

- Filter head: SF-TM-014 ... 070 Free Cutting Steel  
SF-TM-090 ... 300 Spheroidal Graphite Cast Iron
- Filter bowl: Cold Drawn Steel
- O-rings: NBR (Buna-N®)  
FKM (Viton®)  
EPDM (Ethylene-Propylene-Diene-Monomer-Rubber)
- Support ring: PTFE (Polytetrafluoroethylene)

**Operating Pressure**

- Max. 315 bar / 4560 PSI

**Burst Pressure**

- Min. 945 bar / 13705 PSI

**Temperature Range**

- -10 °C ... +100 °C / +14 °F ... +212 °F

**Filter Elements**

- Specifications see page 44

**Media Compatibility**

- Mineral oils, other fluids on request

**Options and Accessories**
**Valves**

- Bypass valve: Allows unfiltered oil to bypass the contaminated element once the opening pressure has been reached, a differential pressure of  $6^{+0.5}$  bar /  $87^{+7.25}$  PSI  $\Delta p$  is the standard setting. Other settings available upon request.
- Reverse flow valve: Allows reverse flow through the filter head without backflushing the element.
- Non-return valve: Prevents draining of the delivery line during element change.
- Multi-function valve: Opening pressure  $6^{+0.5}$  bar /  $87^{+7.25}$  PSI  
Bypass, reverse flow capability and non-return valve combined in one valve.

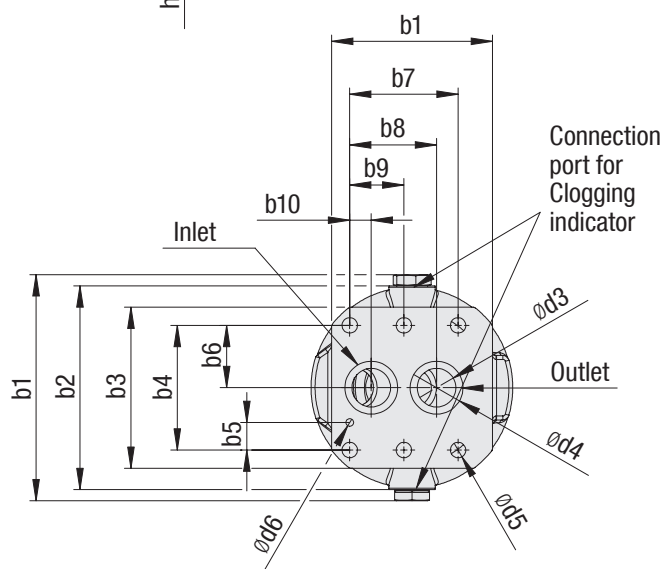
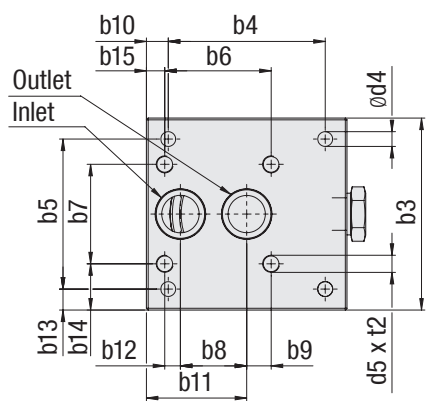
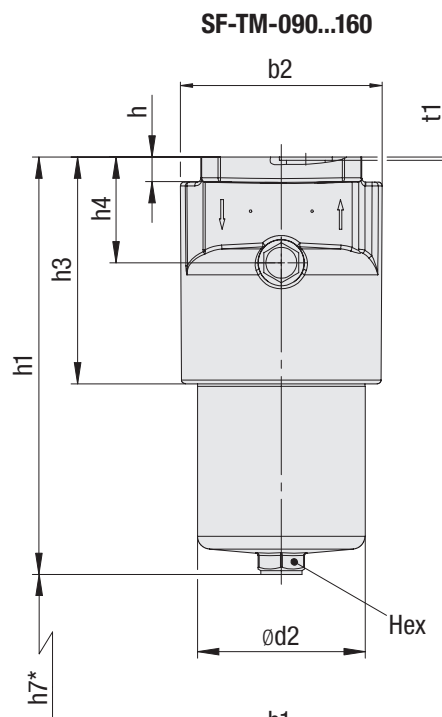
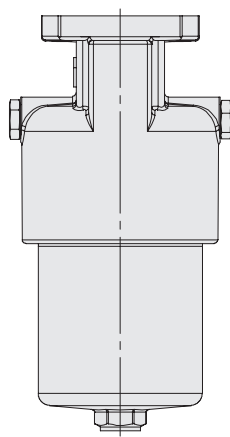
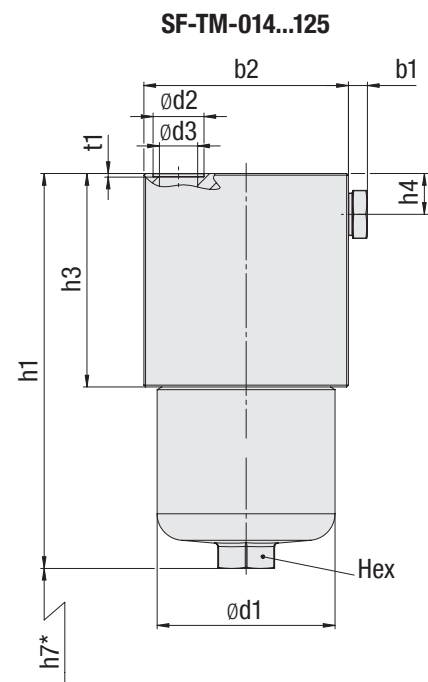
**Clogging Indicators**

- Standard actuating pressure:  $5_{-0.5}$  bar /  $72.5_{-7.25}$  PSI  $\Delta p$   
Other actuating pressure settings are available upon request.
- Available indicators: Visual  
Electrical  
Visual-electrical (24 V DC, 110 V AC, 230 V AC versions)  
Double Visual-electrical (24 V DC)

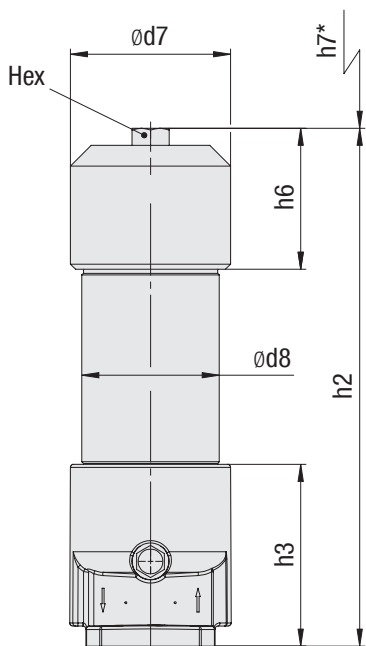


High Pressure Filters - Type SF-TM

G



**SF-TM-014...300-TL**



Filter with filterbowl in two-part style for element change from the top

\* recommended space for element change



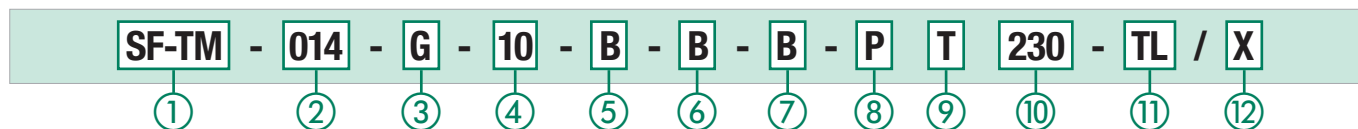
**High Pressure Filters ■ Type SF-TM**

Dimensions (mm/in)		Filter Size SF-TM									
		014	030	045	070	125	090	160	250	300	
b1		6	6	6	6	6	175,6	175,6	175,6	175,6	
		.24	.24	.24	.24	.24	6.91	6.91	6.91	6.91	
b2		104	104	115	115	115	158	158	158	158	
		4.09	4.09	4.53	4.53	4.53	6.22	6.22	6.22	6.22	
b3		80	80	110	110	110	125	125	125	125	
		3.35	3.35	4.33	4.33	4.33	4.92	4.92	4.92	4.92	
b4		89	89	90	90	90	96,8	96,8	96,8	96,8	
		3.50	3.50	3.54	3.54	3.54	3.81	3.81	3.81	3.81	
b5		31,8	31,8	86	86	86	21,4	21,4	21,4	21,4	
		1.25	1.25	3.39	3.39	3.39	.84	.84	.84	.84	
b6		-	-	61	61	61	48,4	48,4	48,4	48,4	
		-	-	2.40	2.40	2.40	1.91	1.91	1.91	1.91	
b7		-	-	57	57	57	84,1	84,1	84,1	84,1	
		-	-	2.24	2.24	2.24	3.31	3.31	3.31	3.31	
b8		31,6	31,6	38	38	38	67,4	67,4	67,4	67,4	
		1.24	1.24	1.50	1.50	1.50	2.65	2.65	2.65	2.65	
b9		-	-	14	14	14	42,05	42,05	42,05	42,05	
		-	-	.55	.55	.55	1.66	1.66	1.66	1.66	
b10		7,5	7,5	12,5	12,5	12,5	16,7	16,7	16,7	16,7	
		.30	.30	.49	.49	.49	.66	.66	.66	.66	
b11		55,9	55,9	57,5	57,5	57,5	-	-	-	-	
		2.20	2.20	2.26	2.26	2.26	-	-	-	-	
b12		-	-	9	9	9	-	-	-	-	
		-	-	.35	.35	.35	-	-	-	-	
b13		24,1	24,1	12	12	12	-	-	-	-	
		.95	.95	.47	.47	.47	-	-	-	-	
b14		-	-	26,5	26,5	26,5	-	-	-	-	
		-	-	1.04	1.04	1.04	-	-	-	-	
b15		-	-	10,5	10,5	10,5	-	-	-	-	
		-	-	.41	.41	.41	-	-	-	-	
d1		68,2	68,2	95,2	95,2	95,2	156	156	156	156	
		2.69	2.69	3.75	3.75	3.75	6.14	6.14	6.14	6.14	
d2		25,3	25,3	28,6	28,6	28,6	130,2	130,2	130,2	130,2	
		1.00	1.00	1.13	1.13	1.13	5.13	5.13	5.13	5.13	
d3		17,5	17,5	21,4	21,4	21,4	30	30	30	30	
		.69	.69	.84	.84	.84	1.18	1.18	1.18	1.18	
d4		8,5	8,5	9	9	9	41	41	41	41	
		.33	.33	.35	.35	.35	1.61	1.61	1.61	1.61	
d5		-	-	7/16-14 UNC	7/16-14 UNC	7/16-14 UNC	12	12	12	12	
		-	-	-	-	-	.47	.47	.47	.47	
d6		-	-	-	-	-	6	6	6	6	
		-	-	-	-	-	.24	.24	.24	.24	
d7		84	84	115	115	115	155	155	155	155	
		3.31	3.31	4.53	4.53	4.53	6.10	6.10	6.10	6.10	
d8		70	70	101,6	101,6	101,6	133	133	133	133	
		2.76	2.76	4.00	4.00	4.00	5.24	5.24	5.24	5.24	
h1		162	228	206	264	446	324	495	-	-	
		6.38	8.97	8.11	10.39	17.56	12.76	19.49	-	-	
h2		164	230	206	266	447	330,5	501,5	657,5	822,5	
		6.46	9.06	8.11	10.47	17.60	13.01	19.74	25.89	32.38	
h3		76	76	93	93	93	178	178	178	178	
		2.99	2.99	3.66	3.66	3.66	7.01	7.01	7.01	7.01	
h4		25	25	25	25	25	82	82	82	82	
		.98	.98	.98	.98	.98	3.23	3.23	3.23	3.23	
h5		-	-	-	-	-	19,1	19,1	19,1	19,1	
		-	-	-	-	-	.75	.75	.75	.75	
h6		64	64	82,5	82,5	82,5	136	136	136	136	
		2.52	2.52	3.25	3.25	3.25	5.35	5.35	5.35	5.35	
h7	One-Part Style	rec.*	100	170	140	200	380	190	360	-	-
		min.*	3.94	6.69	5.51	7.87	14.96	7.48	14.17	-	-
			85	85	120	120	120	150	150	-	-
	Two-Part Style		3.35	3.35	4.72	4.72	4.72	5.91	5.91	-	-
			65	130	100	160	340	120	290	425	590
			2.56	5.12	3.94	6.30	13.39	4.72	11.42	16.73	23.23
t1		2	2	2	2	2	3	3	3	3	
		.08	.08	.08	.08	.08	.12	.12	.12	.12	
t2		-	-	13	13	13	-	-	-	-	
		-	-	.51	.51	.51	-	-	-	-	
Hex		27	27	32	32	32	36	36	36	36	
		1.06	1.06	1.26	1.26	1.26	1.42	1.42	1.42	1.42	
Weight (kg/lbs)	One-Part Style		5,7	6,3	11	12,5	17	21,6	28,8	-	-
			12.5	13.9	24.2	27.8	37.8	48.0	64.0	-	-
	Two-Part Style		6,6	7,3	13,1	14,6	21	26,5	33,8	43,2	54,6
			14.7	16.2	29.1	32.4	46.7	58.9	75.1	96	121.3

Reference: rec.\*: Recommended | min.\*: Minimum



High Pressure Filter Housings / Complete Filters ■ Type SF-TM



① Type

High Pressure Filter Top Mounted **SF-TM**

② Group

Flow	Size
60 l/min / 14 US GPM	<b>014</b>
110 l/min / 30 US GPM	<b>030</b>
160 l/min / 45 US GPM	<b>045</b>
240 l/min / 70 US GPM	<b>070</b>
330 l/min / 90 US GPM	<b>090</b>
475 l/min / 125 US GPM	<b>125</b>
660 l/min / 160 US GPM	<b>160</b>
990 l/min / 250 US GPM	<b>250</b>
1135 l/min / 300 US GPM	<b>300</b>

Note: Exact flow will depend on the selected filter element.  
For technical data please see pages 57 / 58.

③ Filter Material

Material	max. Δp*collapse	Micron ratings available	Code
Without filter element	-	-	<b>O</b>
Inorg. glass fibre	25 bar / 363 PSI	3, 5, 10, 20	<b>G</b>
Inorg. glass fibre	210 bar / 3045 PSI		<b>H</b>
Stainless fibre	210 bar / 3045 PSI		<b>A</b>
Stainless mesh	30 bar / 435 PSI	25, 50, 100, 200	<b>S</b>

Note: \* Collapse/burst resistance as per ISO 2941.

④ Micron Rating

3 μm	<b>03</b>
5 μm	<b>05</b>
10 μm	<b>10</b>
20 μm	<b>20</b>
25 μm	<b>25</b>
50 μm	<b>50</b>
100 μm	<b>100</b>
200 μm	<b>200</b>

Note: Other micron ratings on request.

⑤ Sealing Material

NBR (Buna-N®)	<b>B</b>
FKM (Viton®)	<b>V</b>
EPDM	<b>E</b>

Note: Other sealing materials on request.

⑥ Connection Size

Connection Size	Group			Code				Group				Code	
	014	030		045	070	125		090	160	250	300		
BSP	1/2 (Ø17,5mm / Ø.69in)			<b>B</b>	1-1/4 (Ø21,4mm / Ø.85in)				<b>B</b>	1-1/2 (Ø30mm / Ø1.18in)			<b>B</b>

⑦ Valve

Without valve	<b>O</b>
Bypass valve	<b>B</b>
Reverse flow valve	<b>R</b>
Non-return valve	<b>N</b>
Multi-function valve	<b>M</b>

⑧ Clogging Indicator

Without clogging indicator	<b>O</b>
Visual, with automatic reset	<b>A</b>
Visual, with manual reset	<b>V</b>
Electrical	<b>E</b>
Electrical, Deutsch plug	<b>ED</b>
Visual-electrical	<b>P</b>
Double Visual-electrical	<b>D024</b>

⑨ Thermostop

Without thermostop	<b>none</b>
With thermostop	<b>T</b>

⑩ Voltage (only for Code P)

24 V DC	<b>024</b>
110 V AC	<b>110</b>
230 V AC	<b>230</b>

⑪ Style Filter Bowl

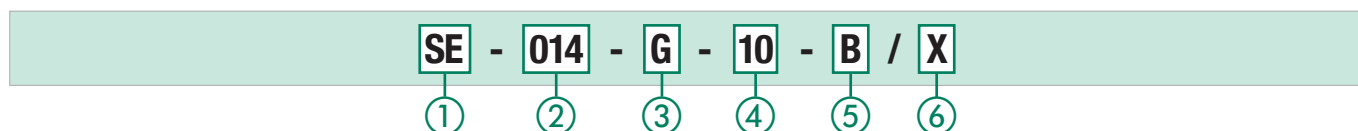
With bowl in one-part style	<b>none</b>
Toploader, with bowl in two-part style	<b>TL</b>

Note: Group size SF-TM-250 and SF-TM-300 only available in TL-version.

⑫ Design Code

Only for information	<b>X</b>
----------------------	----------

Filter Elements ■ Type SE



① Type

Filter Element Series **SE**

② Group

According to filter housing

③ Filter Material

Material	max. Δp*collapse	Micron ratings available	Code
Inorganic glass fibre	25 bar / 363 PSI	3, 5, 10, 20	<b>G</b>
Inorganic glass fibre	210 bar / 3045 PSI		<b>H</b>
Stainless fibre	210 bar / 3045 PSI		<b>A</b>
Stainless mesh	30 bar / 435 PSI	25, 50, 100, 200	<b>S</b>

Note: \* Collapse/burst resistance as per ISO 2941.

④ Micron Rating

3 μm	<b>03</b>
5 μm	<b>05</b>
10 μm	<b>10</b>
20 μm	<b>20</b>
25 μm	<b>25</b>
50 μm	<b>50</b>
100 μm	<b>100</b>
200 μm	<b>200</b>

Note: Other micron ratings on request.

⑤ Sealing Material

NBR (Buna-N®)	<b>B</b>
FKM (Viton®)	<b>V</b>
EPDM	<b>E</b>

Note: Other sealing materials on request.

⑥ Design Code

Only for information	<b>X</b>
----------------------	----------



## High Pressure Filters ■ Type SFZ



C

**Product Description**

STAUFF SFZ series High Pressure Filters are designed for sandwich plate mounting in manifold block mounting hydraulic applications, with a maximum operating pressure of 315 bar / 4560 PSI. Used together with STAUFF SE series Filter Elements, a high efficiency of contaminant removal is assured. The high dirt-hold capacity of the elements ensures long service life and, as a result, reduced maintenance costs.

**Technical Data**
**Construction**

- Designed for sandwich plate mounting

**Materials**

- Filter head: Free Cutting Steel
- Filter bowl: Cold Drawn Steel
- O-rings: NBR (Buna-N®)  
FKM (Viton®)  
EPDM (Ethylene-Propylene-Diene-Monomer-Rubber)
- Support ring (bowl): PTFE (Polytetrafluoroethylene)

**Connecting Port**

- According to ISO 4401-03-02-0-05 NG6 / DIN24340-A6 / Cetop R 35 H (Ref.: NFPA/ANSI D03)

**Operating Pressure**

- Max. 315 bar / 4560 PSI

**Burst Pressure**

- Min. 945 bar / 13705 PSI

**Temperature Range**

- -10 °C ... +100 °C / +14 °F ... +212 °F

**Filter Elements**

- Specifications see page 44

**Media Compatibility**

- Mineral oils, other fluids on request

**O-ring for connection ports**

- 9x1,7 (4x included in delivery)

**Options and Accessories**
**Clogging Indicator**

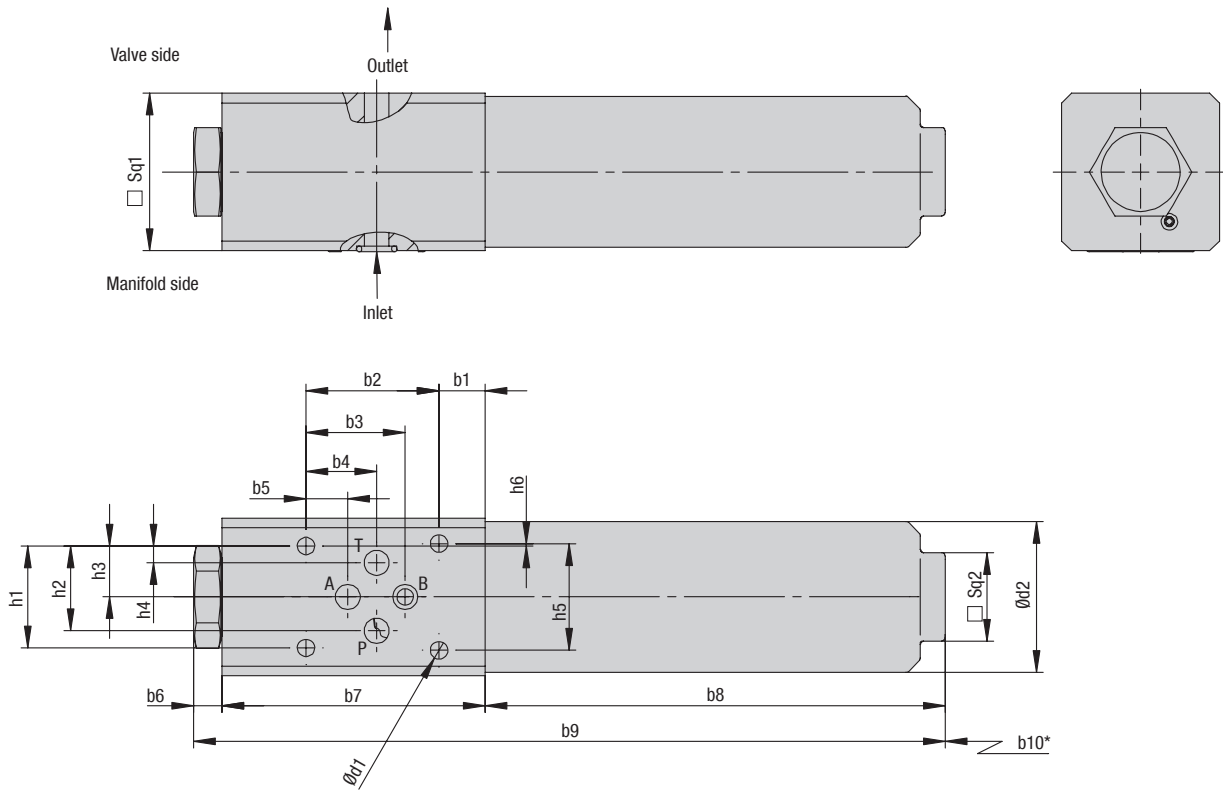
- Standard actuating pressure: 5<sub>-0,5</sub> bar / 72.5<sub>-7,25</sub> PSI Δp  
Other actuating pressure settings are available upon request.
- Available indicators: Visual  
Electrical  
Visual-electrical (24 V DC, 110 V AC, 230 V AC versions)  
Double Visual-electrical (24 V DC)



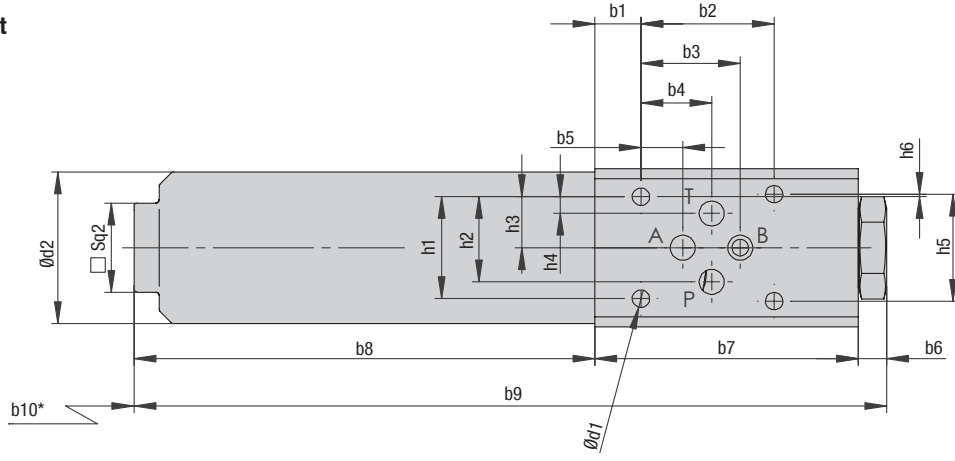
High Pressure Filters - Type SFZ

C

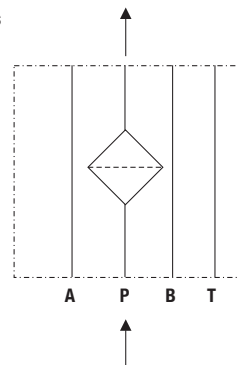
Version - right



Version - left



Symbol for hydraulic systems SFZ-008



\* recommended space for element change

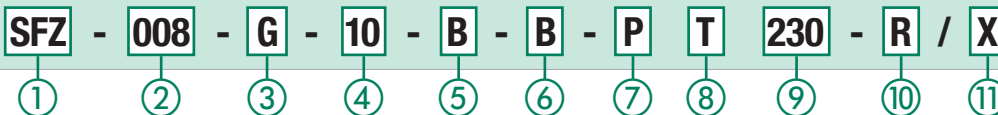


## High Pressure Filters ▪ Type SFZ

Dimensions (mm/in)	Filter Size SFZ SFZ-008
b1	14
	.55
b2	40,5
	1.59
b3	30,2
	1.19
b4	21,5
	.85
b5	12,7
	.50
b6	9
	.35
b7	80
	3.15
b8	140
	5.51
b9	229
	9.02
b10	50
	1.97
d1	5,3
	.21
d2	46
	1.81
h1	31
	1.22
h2	25,8
	1.02
h3	15,5
	.61
h4	5,1
	.20
h5	32,5
	1.28
h6	0,75
	.03
Sq1	48
	1.89
Sq2	27
	1.06



### High Pressure Filter Housings / Complete Filters ■ Type SFZ



#### ① Type

High Pressure Filter for sandwich plate mounting **SFZ**

#### ② Group

Flow **Size**  
30 l/min / 8 US GPM **008**

Note: Exact flow will depend on the selected filter element.

#### ③ Filter Material

Please note that the filter element is not protected by an internal bypass. Please be sure that the hydraulic system is designed with the sufficient means to protect the element.

Material	max. Δp*collapse	Micron ratings available	Code
Without filter element	-	-	<b>O</b>
Inorg. glass fibre	25 bar / 363 PSI	3, 5, 10, 20	<b>G</b>
Inorg. glass fibre	210 bar / 3045 PSI		<b>H</b>
Stainless fibre	210 bar / 3045 PSI		<b>M</b>
Stainless mesh	30 bar / 435 PSI	25, 50, 100, 200	<b>S</b>

Note: \* Collapse/burst resistance as per ISO 2941.

#### ④ Micron Rating

3 µm	<b>03</b>
5 µm	<b>05</b>
10 µm	<b>10</b>
20 µm	<b>20</b>
25 µm	<b>25</b>
50 µm	<b>50</b>
100 µm	<b>100</b>
200 µm	<b>200</b>

Note: Other micron ratings on request.

#### ⑤ Sealing Material

NBR (Buna-N®)	<b>B</b>
FKM (Viton®)	<b>V</b>
EPDM	<b>E</b>

Note: Other sealing materials on request.

#### ⑥ Connection Size

Connection Size	Group	Code
	<b>008</b>	
Nominal Bore	NG6* (Ref.: D03)	<b>B</b>

\* ISO 4401-03-02-0-05 / DIN 24340-A6 / Cetop R 35 H

#### ⑦ Clogging Indicator

Without clogging indicator	<b>O</b>
Visual, with automatic reset	<b>A</b>
Visual, with manual reset	<b>V</b>
Electrical	<b>E</b>
Electrical, Deutsch plug	<b>ED</b>
Visual-electrical	<b>P</b>
Double Visual-electrical	<b>D024</b>

#### ⑧ Thermostop

Without thermostop	<b>none</b>
With thermostop	<b>T</b>

#### ⑨ Voltage (only for Code P)

24 V DC	<b>024</b>
110 V AC	<b>110</b>
230 V AC	<b>230</b>

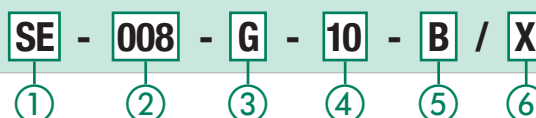
#### ⑩ Design

Version right	<b>R</b>
Version left	<b>L</b>

#### ⑪ Design Code

Only for information	<b>X</b>
----------------------	----------

### Filter Elements ■ Type SE



#### ① Type

Filter Element Series **SE**

#### ② Group

According to filter housing

#### ③ Filter Material

Please note that the filter element is not protected by an internal bypass. Please be sure that the hydraulic system is designed with the sufficient means to protect the element.

Material	max. Δp*collapse	Micron ratings available	Code
Inorg. glass fibre	25 bar / 363 PSI	3, 5, 10, 20	<b>G</b>
Inorg. glass fibre	210 bar / 3045 PSI		<b>H</b>
Stainless fibre	210 bar / 3045 PSI		<b>M</b>
Stainless mesh	30 bar / 435 PSI	25, 50, 100, 200	<b>S</b>

\* Collapse/burst resistance as per ISO 2941.

#### ④ Micron Rating

3 µm	<b>03</b>
5 µm	<b>05</b>
10 µm	<b>10</b>
20 µm	<b>20</b>
25 µm	<b>25</b>
50 µm	<b>50</b>
100 µm	<b>100</b>
200 µm	<b>200</b>

Note: Other micron ratings on request.

#### ⑤ Sealing Material

NBR (Buna-N®)	<b>B</b>
FKM (Viton®)	<b>V</b>
EPDM	<b>E</b>

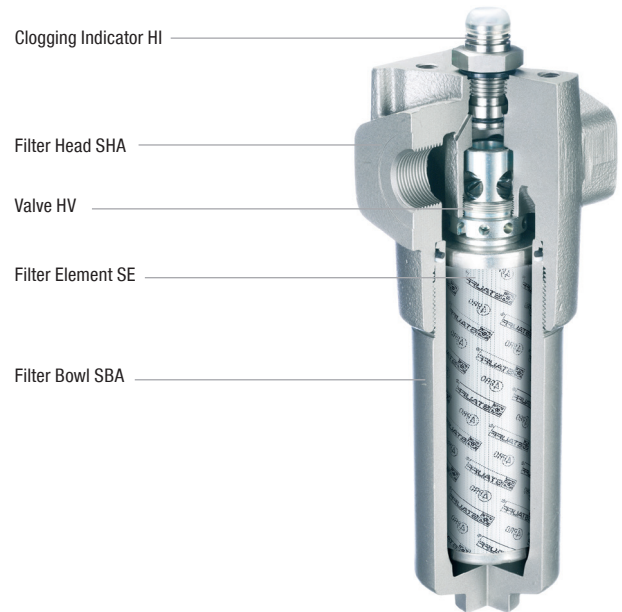
Note: Other sealing materials on request.

#### ⑥ Design Code

Only for information	<b>X</b>
----------------------	----------





**Medium Pressure Filters ■ Type SFA**

**C**
**Product Description**

STAUFF SFA series Medium Pressure Filters are designed for in-line hydraulic applications with a maximum operating pressure of 160 bar / 2320 PSI. Used together with STAUFF SE series Filter Elements, a high efficiency of contamination removal is assured. The dirt-hold capacity of the elements ensures long service life, and as a result, reduced maintenance costs.

**Technical Data**
**Construction**

- Designed for in-line assembly, with threaded mounting holes on top of the head.

**Materials**

- Filter head: Cast Aluminium
- Filter bowl: Aluminium
- O-rings: NBR (Buna-N®)  
FKM (Viton®)  
EPDM (Ethylene-Propylene-Diene-Monomer-Rubber)
- Support ring: PTFE (Polytetrafluoroethylene)

**Port Connections**

- BSP
- NPT
- SAE O-ring thread
- SAE 3000 PSI (Code 61) flange

**Operating Pressure**

- SFA-014/030: Max. 160 bar / 2320 PSI  
Max. 190 bar / 2755 PSI (according to ANSI T2.6.1. R2-2001)
- SFA-045/070: Max. 150 bar / 2175 PSI  
Max. 171 bar / 2480 PSI (according to ANSI T2.6.1. R2-2001)

**Burst Pressure**

- Min. 480 bar / 6960 PSI

**Temperature Range**

- -10 °C ... +100 °C / +14 °F ... +212 °F

**Filter Elements**

- Specifications see page 52

**Media Compatibility**

- Mineral oils, other fluids on request

**Options and Accessories**
**Valves**

- Bypass valve: Allows unfiltered oil to bypass the contaminated element once the opening pressure has been reached, a differential pressure of  $6^{+0.5}$  bar /  $87^{+7.25}$  PSI  $\Delta p$  is the standard setting. Other settings available upon request.
- Reverse flow valve: Allows reverse flow through the filter head without backflushing the element.
- Non-return valve: Prevents draining of the delivery line during element change.
- Multi-function valve: Opening pressure  $6^{+0.5}$  bar /  $87^{+7.25}$  PSI  
Bypass, reverse flow capability and non-return valve combined in one valve.

**Clogging Indicators**

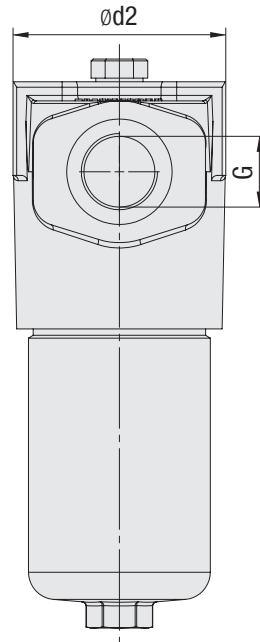
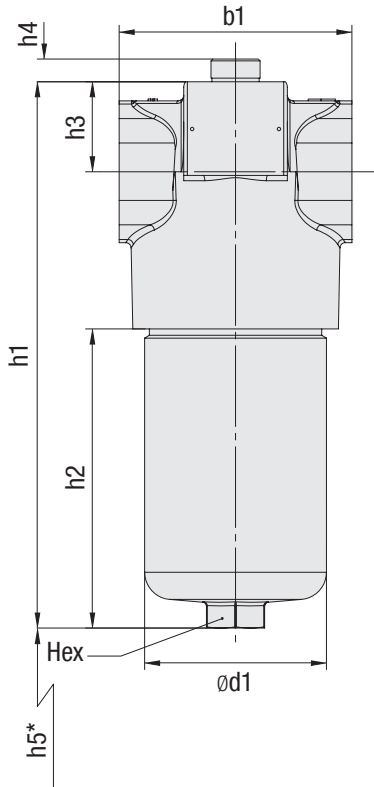
- Standard actuating pressure:  $5_{-0.5}$  bar /  $72.5_{-7.25}$  PSI  $\Delta p$   
Other actuating pressure settings are available upon request.
- Available indicators: Visual  
Electrical  
Visual-electrical (24 V DC, 110 V AC, 230 V AC versions)  
Double Visual-electrical (24 V DC)



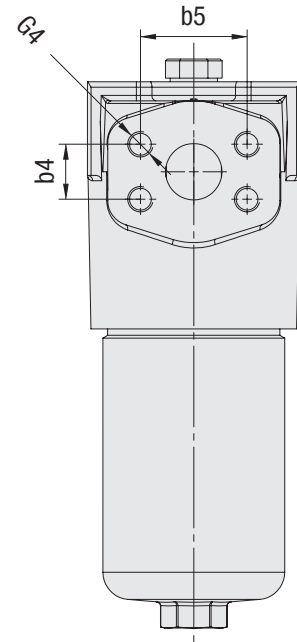
Medium Pressure Filters - Type SFA

G

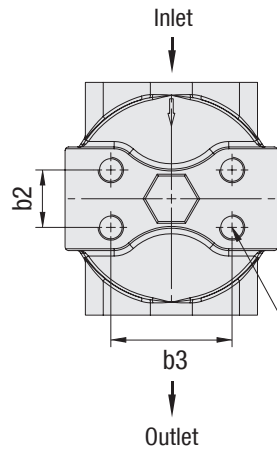
SFA-014...070



Threaded connection



Flange connection



G2: for BSP threads and metric flanges  
 G3: for NPT- and SAE-threads and for UNC-flanges

\* recommended space for element change



**Medium Pressure Filters ■ Type SFA**

Thread Connection G	Filter Size SFA			
	014	030	045	070
BSP	3/4	3/4	1-1/4	1-1/4
NPT	3/4	3/4	1-1/4	1-1/4
SAE O-ring Thread	1-1/6-12	1-1/6-12	1-5/8-12	1-5/8-12
SAE Flange 3000 PSI	3/4	3/4	1-1/4	1-1/4
Weight (kg/lbs)	2,1	2,54	4,6	5,3
	4,7	5,6	10,2	11,8

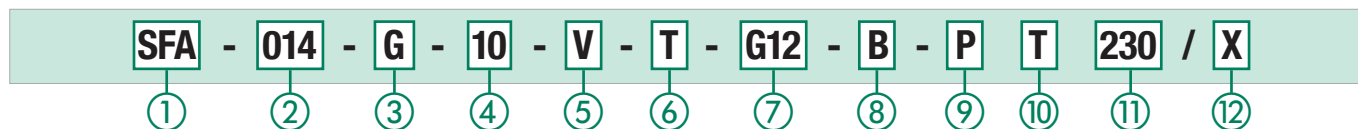
Dimensions (mm/in)	Filter Size SFA				
	014	030	045	070	
b1	92	92	128	128	
	3.62	3.62	5.04	5.04	
d1	72	72	100	100	
	2.83	2.83	3.93	3.93	
d2	86	86	117	117	
	3.39	3.39	4.61	4.61	
h1	187,5	255	241,5	301	
	7.38	10.04	9.51	11.85	
h2	78	145,5	105	164,5	
	3.07	5.73	4.13	6.46	
h3	40	40	49,5	49,5	
	1.58	1.58	1.95	1.95	
h4	12,5	12,5	12,5	12,5	
	.49	.49	.49	.49	
h5	rec.*	100	170	140	200
		3.94	6.69	5.51	7.87
	min.*	85	85	120	120
		3.35	3.35	4.72	4.72
Hex	27	27	32	32	
	1.05	1.05	1.25	1.25	
Dimensions SAE Flange 3000 PSI	b4	22,3	22,3	30,2	30,2
		.88	.88	1.19	1.19
	b5	47,6	47,6	58,7	58,7
		1.87	1.87	2.32	2.32
	G4	M10 x 15 or	M10 x 15 or	M10 x 18 or	M10 x 18 or
		3/8-16 UNC	3/8-16 UNC	7/16-14 UNC	7/16-14 UNC

Reference: rec.\*: Recommended | min.\*: Minimum

Dimensions (mm/in)	Filter Size SFA				
	014	030	045	070	
r	b2	23,8	23,8	31,6	31,6
		.94	.94	1.24	1.24
	b3	50,8	50,8	66,7	66,7
		2.00	2.00	2.63	2.63
	G2	M10 x 15	M10 x 15	M14 x 17	M14 x 17
	G3	3/8-16 UNC x .59	3/8-16 UNC x .59	1/2-13 UNC x .59	1/2-13 UNC x .59

**C**


Medium Pressure Filter Housings / Complete Filters ■ Type SFA



① Type

Medium Pressure Filter **SFA**

② Group

Flow	Size
60 l/min / 14 US GPM	<b>014</b>
110 l/min / 30 US GPM	<b>030</b>
160 l/min / 45 US GPM	<b>045</b>
240 l/min / 70 US GPM	<b>070</b>

Note: Exact flow will depend on the selected filter element.  
For technical data please see pages 57 / 58.

③ Filter Material

Material	max. Δp*collapse	Micron ratings available	Code
Without filter element	-	-	<b>O</b>
Inorg. glass fibre	25 bar / 363 PSI	3, 5, 10, 20	<b>G</b>
Inorg. glass fibre	210 bar / 3045 PSI		<b>H</b>
Stainless fibre	210 bar / 3045 PSI		<b>A</b>
Stainless mesh	30 bar / 435 PSI	25, 50, 100, 200	<b>S</b>

Note: \* Collapse/burst resistance as per ISO 2941.

④ Micron Rating

3 µm	<b>03</b>
5 µm	<b>05</b>
10 µm	<b>10</b>
20 µm	<b>20</b>
25 µm	<b>25</b>
50 µm	<b>50</b>
100 µm	<b>100</b>
200 µm	<b>200</b>

Note: Other micron ratings on request.

⑤ Sealing Material

NBR (Buna-N®)	<b>B</b>
FKM (Viton®)	<b>V</b>
EPDM	<b>E</b>

Note: Other sealing materials on request.

⑥ Connection Flange

Type T	<b>T</b>
--------	----------

⑦ Connection Style

Connection Style	Thread Style	Group		Code		Code
		014	030	045	070	
BSP	metric	3/4		<b>G12</b>	1-1/4	<b>G20</b>
BSP	metric	1		G16	1-1/2	G24
NPT	UNC	3/4		N12	1-1/4	N20
SAE O-ring Thread	UNC	1-1/16-12		U12	1-5/8-12	U20
SAE Flange 3000 PSI	metric	3/4		C312M	1-1/4	C320M
SAE Flange 3000 PSI	UNC	3/4		C312U	1-1/4	C320U
SAE Flange 3000 PSI	metric	1		C316M	-	-
SAE Flange 3000 PSI	UNC	1		C316U	-	-

Note: Other port connections on request. Bold types identify preferred connection styles.

⑧ Valve

Without valve	<b>O</b>
Bypass valve	<b>B</b>
Reverse flow valve	<b>R</b>
Non-return valve	<b>N</b>
Multi-function valve	<b>M</b>

⑨ Clogging Indicator

Without clogging indicator	<b>O</b>
Visual, with automatic reset	<b>A</b>
Visual, with manual reset	<b>V</b>
Electrical	<b>E</b>
Electrical, Deutsch plug	<b>ED</b>
Visual-electrical	<b>P</b>
Double Visual-electrical	<b>D024</b>

⑩ Thermostop

Without thermostop	<b>none</b>
With thermostop	<b>T</b>

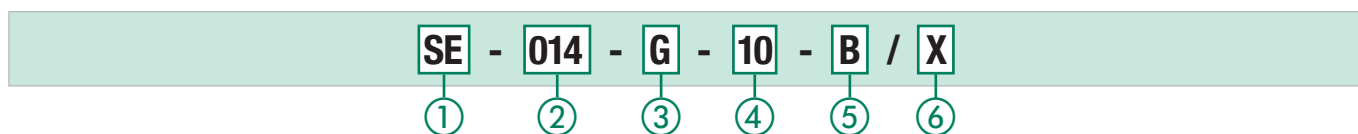
⑪ Voltage (only for Code P)

24 V DC	<b>024</b>
110 V AC	<b>110</b>
230 V AC	<b>230</b>

⑫ Design Code

Only for information	<b>X</b>
----------------------	----------

Filter Elements ■ Type SE



① Type

Filter Element Series **SE**

② Group

According to filter housing

③ Filter Material

Material	max. Δp*collapse	Micron ratings available	Code
Inorganic glass fibre	25 bar / 363 PSI	3, 5, 10, 20	<b>G</b>
Inorganic glass fibre	210 bar / 3045 PSI		<b>H</b>
Stainless fibre	210 bar / 3045 PSI		<b>A</b>
Stainless mesh	30 bar / 435 PSI	25, 50, 100, 200	<b>S</b>

Note: Collapse/burst resistance as per ISO 2941.

④ Micron Rating

3 µm	<b>03</b>
5 µm	<b>05</b>
10 µm	<b>10</b>
20 µm	<b>20</b>
25 µm	<b>25</b>
50 µm	<b>50</b>
100 µm	<b>100</b>
200 µm	<b>200</b>

Note: Other micron ratings on request.

⑤ Sealing Material

NBR (Buna-N®)	<b>B</b>
FKM (Viton®)	<b>V</b>
EPDM	<b>E</b>

Note: Other sealing materials on request.

⑥ Design Code

Only for information	<b>X</b>
----------------------	----------



**Product Description** (not available for SFZ)

The optional valves are fitted as an insert in the filter head and incorporate the spigot on which the element seals. The valve is selected to suit the filter application.

**HVO** **Non-bypass standard insert** without any valve function.  
Element collapse rating should be higher than the system pressure

**HVB** **Bypass valve** which allows oil to bypass the element when the differential pressure across the element reaches  $6^{+0.5}$  bar /  $87^{+7.25}$  PSI. (Other pressure settings available on request). The opening pressure should be higher than the  $\Delta p$  setting of an optional clogging indicator. Low collapse 30 bar / 435 PSI  $\Delta p$  elements are normally used with this valve.

**HVR** **Reverse flow valve** is used in systems where there is flow in reverse through the filter. It allows reverse flow without backflushing the element but does not filter in the reverse direction. Element collapse rating should be higher than the system pressure.

**HVN** **Non-return valve**  
This valve prevents the oil in the delivery line from draining out while the filter is being serviced. Because there is no bypass, the element collapse rating should be higher than system pressure.

**HVM** **Multi-function valve**  
This valve combines the bypass, the reverse flow and the non-return functions in one unit. The by-pass opening pressure is  $6^{+0.5}$  bar /  $87^{+7.25}$  PSI  $\Delta p$  with other opening pressures available on request. The opening pressure should be higher than the  $\Delta p$  setting of an optional clogging indicator. Low collapse 30 bar / 435 PSI  $\Delta p$  elements are normally used with this valve.

**Order Code**

**VALVE** - **HVB** - **014/030** / **X**

①

②

③

④

**① Type**

Valve for Pressure Filters	<b>VALVE</b>
----------------------------	--------------

**② Valve Type**

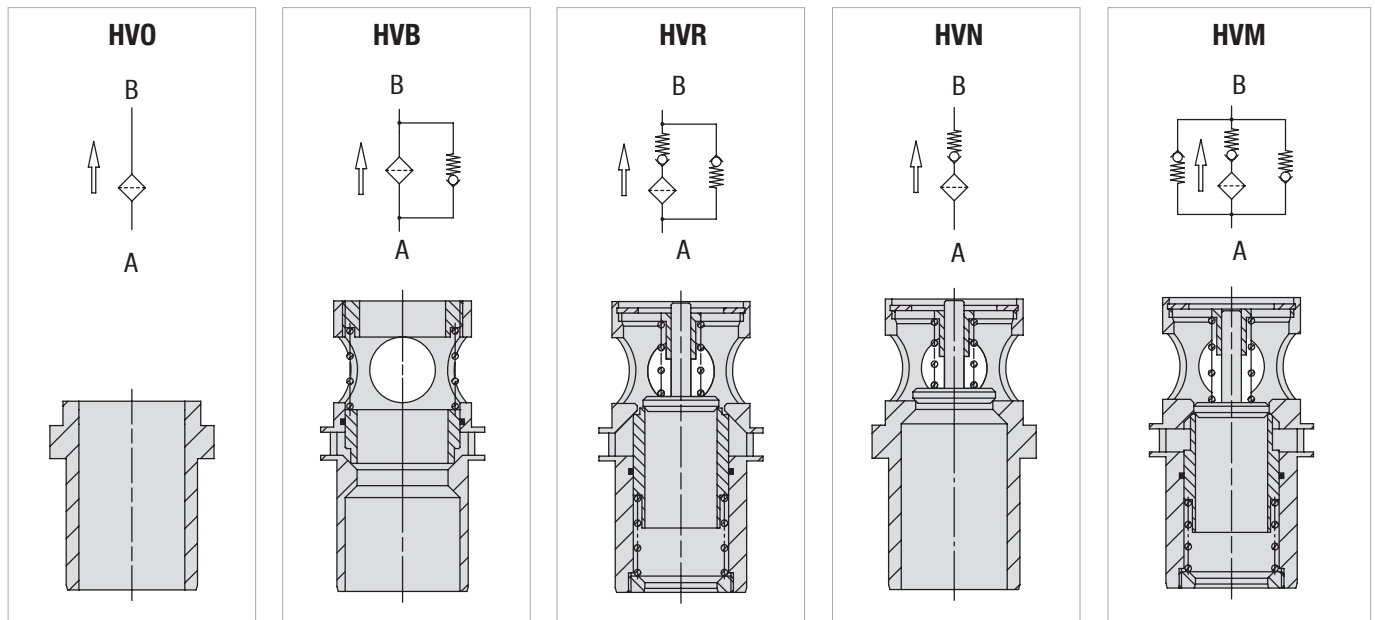
Non-bypass standard insert without any valve	<b>HVO</b>
Bypass valve	<b>HVB</b>
Reverse flow valve	<b>HVR</b>
Non-return valve	<b>HVN</b>
Multi-function valve	<b>HVM</b>

**③ Filter Group**

For filter size 014/030	<b>014/030</b>
For filter size 045/070/125	<b>045/070</b>
For filter size 090/160/250/300	<b>090/160</b>

**④ Design Code**

Only for information	<b>X</b>
----------------------	----------



Flow characteristics of the valves see page 56.



## Clogging Indicators

### Product Description

STAUFF Pressure Filters have a wide range of clogging indicators available. If no indicator is specified, the port is sealed by a plug (HI-0). The clogging indicators are actuated by the differential pressure ( $\Delta p$ ) across the element. The special piston design minimizes the effects of peak pressures in the system. An optional thermal lockout (thermo-stop) is available to prevent false indication under cold start conditions. Fluid temperature have to be at least +20 °C / +68 °F for the indicator to function.

### Technical Data

#### Materials

- Body: Stainless Steel
- Sealings: NBR (Buna-N®)  
FKM (Viton®)  
EPDM (Ethylene-Propylene-Diene-Monomer-Rubber)

#### Thread

- G 1/2

#### Differential Pressure

- 5<sub>-0,5</sub> bar / 72.5<sub>-7,25</sub> PSI pressure setting (other settings on request)

#### Electrical

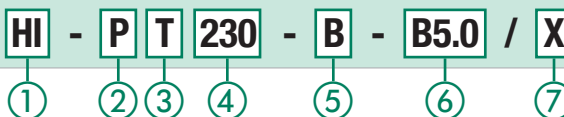
- Plug according to DIN-EN 175301-803 A (DIN 43650-A).
- Screwed cable gland PG11
- Protection rating (DIN 40050) IP65 e.g. IP67
- Both NO and NC contacts are available in the switch, rated capacity: see chart below
- Deutsch plug

The visual clogging indicators are available in the following configurations:

- Manual reset: The indicator continues to display the clogged signal even through the  $\Delta p$  may have fallen. Pressing the plastic cover down will reset the indicator.
- Automatic reset: The clogged signal will disappear when the  $\Delta p$  drops below the setting for the indicator.

Note: The customer / user carries the responsibility for the electrical connection.

### Order Code



#### 1 Type

Clogging Indicator for Pressure Filters **HI**

#### 2 Indicator Type

Plug	<b>O</b>
Visual, automatic reset	<b>A</b>
Visual, manual reset	<b>V</b>
Electrical	<b>E</b>
Electrical, Deutsch plug	<b>ED</b>
Visual-electrical	<b>P</b>
Double visual-electrical	<b>D024</b>

#### 3 Thermostop

Without thermostop	<b>none</b>
With thermostop	<b>T</b>

#### 4 Voltage (only for Code P)

24 V DC	<b>024</b>
110 V AC	<b>110</b>
230 V AC	<b>230</b>

#### 5 Sealing Material

NBR (Buna-N®)	<b>B</b>
FKM (Viton®)	<b>V</b>
EPDM	<b>E</b>

#### Rated Capacity HI-E, HI-P and HI-D024

Voltage V	Resistive Load A	Inductive Load A
110 V AC	5A	3A
230 V AC	3A	2A
24 V DC	4A	3A
Max. Load		
24 V AC ± 10%	1A	

#### 6 Differential Pressure Setting

1,72 bar / 25 PSI	B1.7
2,0 bar / 29 PSI	B2.0
2,5 bar / 36.3 PSI	B2.5
3,0 bar / 43.5 PSI	B3.0
<b>5,0 bar / 72.5 PSI (standard option)</b>	<b>B5.0</b>
5,5 bar / 79.7 PSI (only for HI-D024)	B5.5
7,0 bar / 101.5 PSI	B7.0

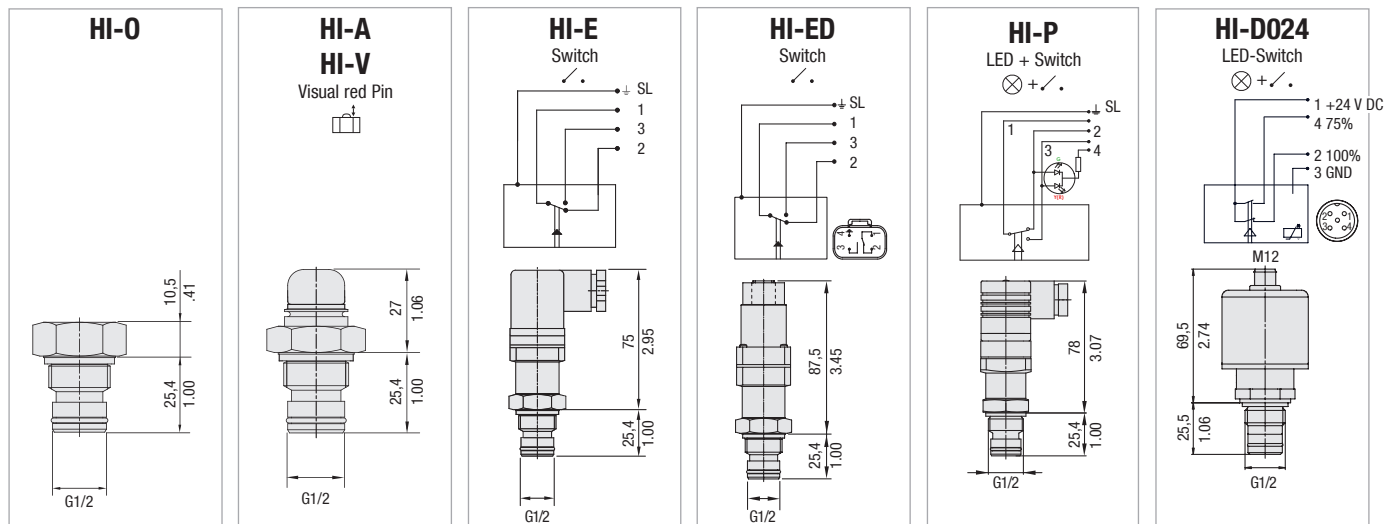
Note: Bold types identify standard option

#### 7 Design Code

Only for information **X**

High voltage peaks occur when inductive loads are switched off. Protective circuitry should be employed to reduce contact burnout.

### Dimensions



Dimensional drawings: All dimensions in mm/in.



### Double Visual-electrical Clogging Indicator

The differential pressure indicator HI-D024 is a microprocessor controlled pressure switch with two alarm outputs for pre-alarm and shut-off.

It is used to monitor the capacity of oil filters in oil-circulating systems.

For this purpose, a microprocessor-controlled pressure sensor observes the dynamic pressure in front of the filter element or the differential pressure at the filter element. The pressure increases depending on the cumulative clogging of the filter.

To avoid false alarms due to high viscosity during start-up, the device is equipped with a temperature control and time delay function. The unit is ready for operation if the temperature is  $> 30\text{ }^{\circ}\text{C} / 86\text{ }^{\circ}\text{F}$ .



### Technical Data

#### Connection Thread

- G1/2

#### Operating Pressure

- Max. 400 bar / 5800 PSI

#### Temperature Range

- $-20\text{ }^{\circ}\text{C} \dots +85\text{ }^{\circ}\text{C} / -4\text{ }^{\circ}\text{F} \dots +185\text{ }^{\circ}\text{F}$
- ready for operation  $> 30\text{ }^{\circ}\text{C} / 86\text{ }^{\circ}\text{F}$

#### Materials

- Body: Stainless Steel
- Sealing Material: NBR (Buna-N®)

#### Protection Rating

- IP 67

#### Rated Capacity

- Max. 1 A, 24 V DC

#### Operating Voltage

- 24 V DC

#### Alarm outputs

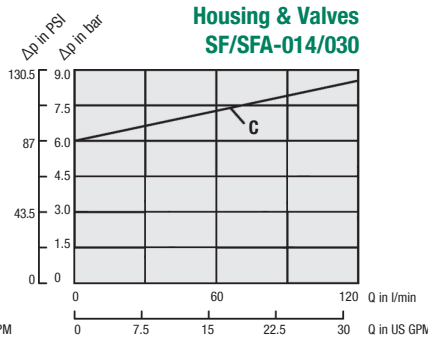
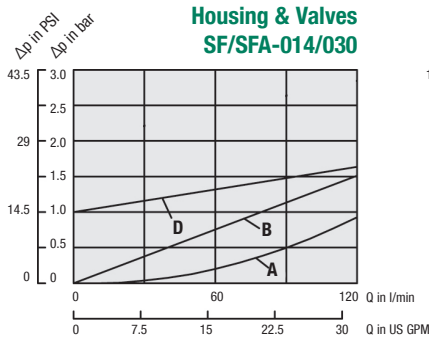
- $4,1^{+10\%}\text{ bar} / 59.4^{+/-10\%}\text{ PSI } \Delta p = 75\%$  (Yellow LED lights up)
- $5,5^{+10\%}\text{ bar} / 79.7^{+/-10\%}\text{ PSI } \Delta p = 100\%$  (Red LED appears additionally)



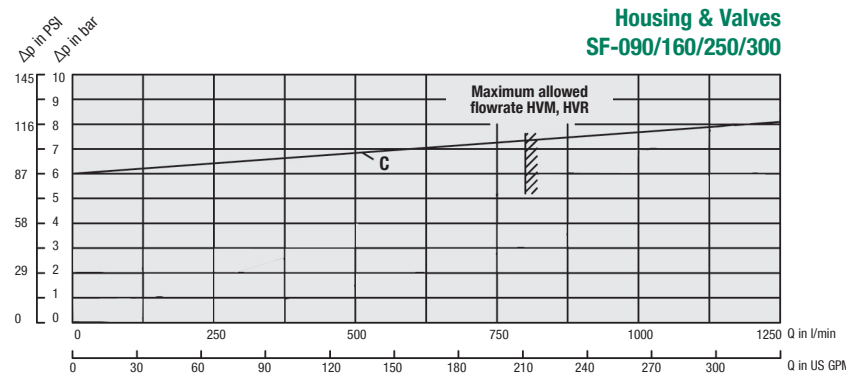
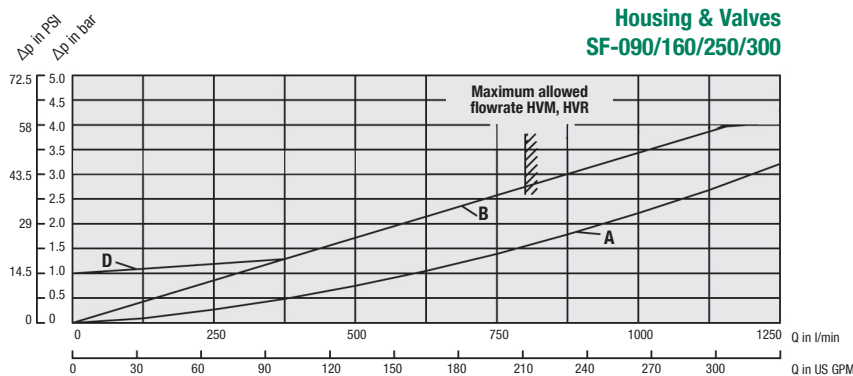
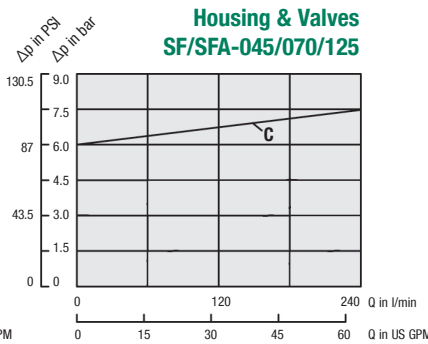
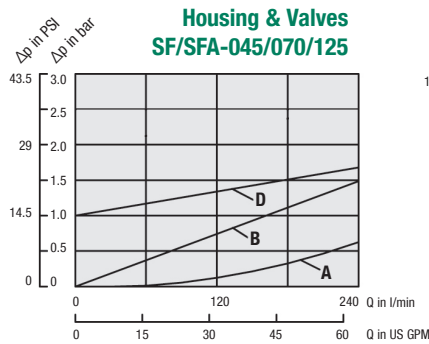
## High and Medium Pressure Filters - Type SF / SF-TM / SFZ / SFA

The following characteristics are valid for mineral oils with a density of 0,85 kg/dm<sup>3</sup> and the kinematic viscosity of 30 mm<sup>2</sup>/s (30 cSt). The characteristics have been determined in accordance to ISO 3968. Multipass filter ratings have been obtained in accordance to ISO 16889. Contact STAUFF for details.

C



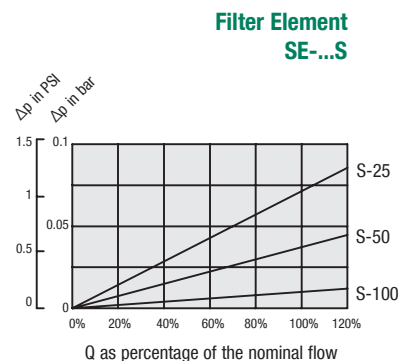
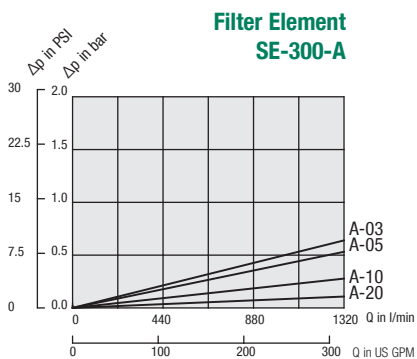
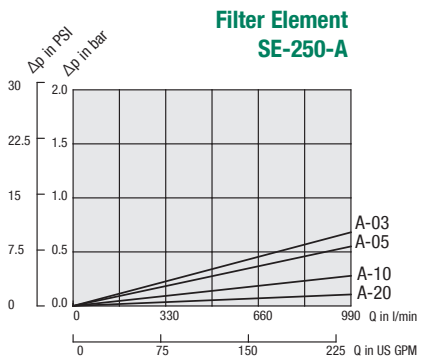
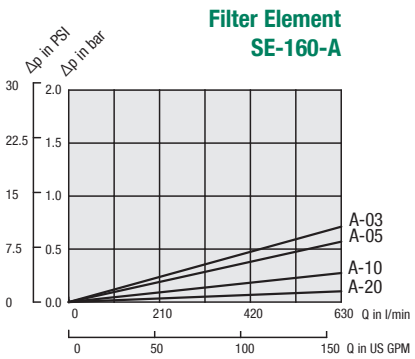
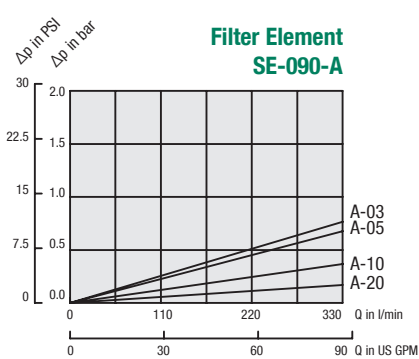
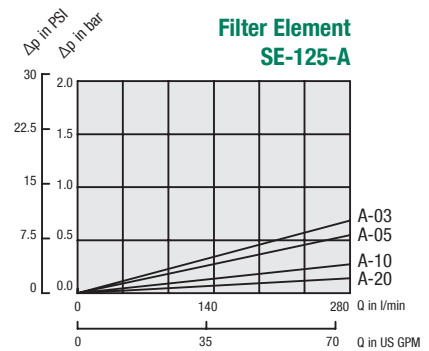
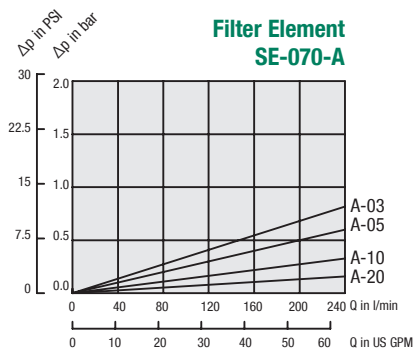
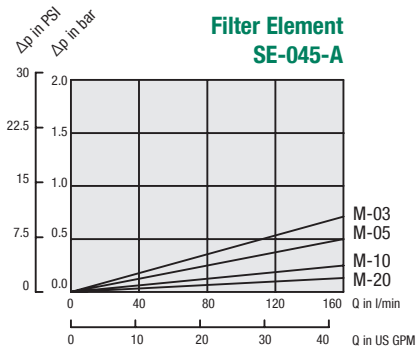
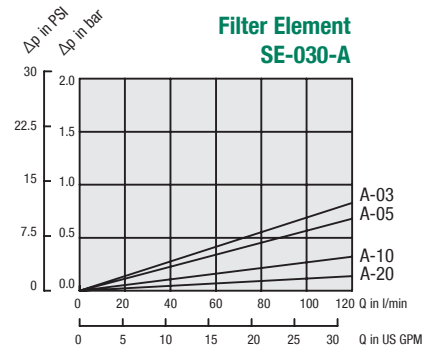
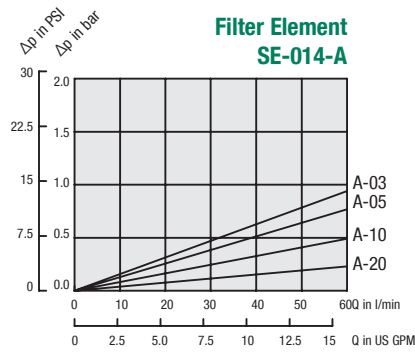
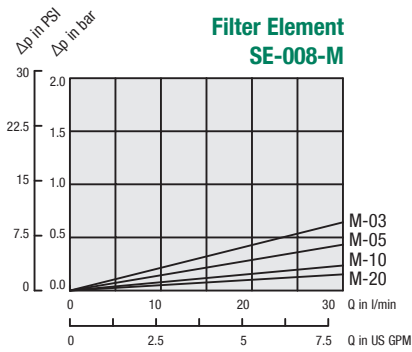
Valve Configuration	Flow direction	Curve
Housing with HVO or HVB	Inlet → Outlet	A
HVM, HVR, HVN	Inlet → Outlet	B
HVM, HVB ▪ Element 100% blocked Bypass only ▪ In reality always mixed mode	Inlet → Outlet	C
HVM, HVR Reverse mode	Outlet → Inlet	D





## High and Medium Pressure Filters - Type SF / SF-TM / SFZ / SFA

The following characteristics are valid for mineral oils with a density of 0,85 kg/dm<sup>3</sup> and the kinematic viscosity of 30 mm<sup>2</sup>/s (30 cSt). The characteristics have been determined in accordance to ISO 3968. Multipass filter ratings have been obtained in accordance to ISO 16889. Contact STAUFF for details.



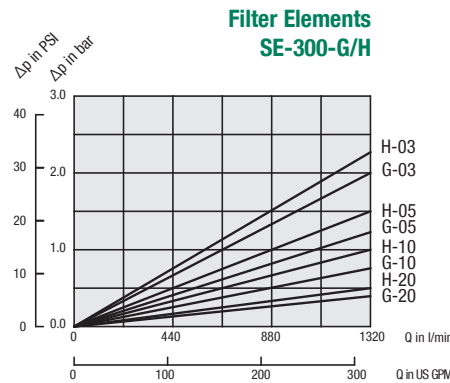
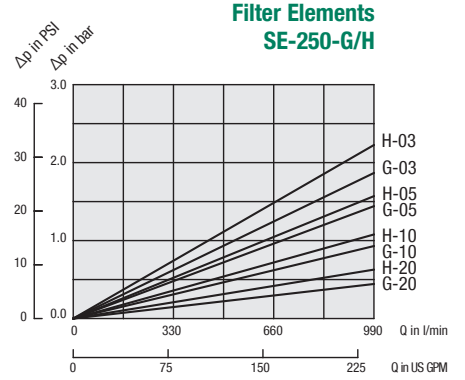
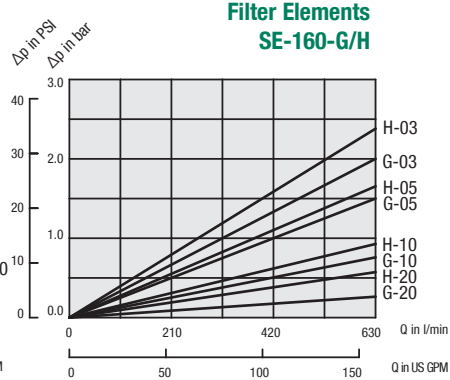
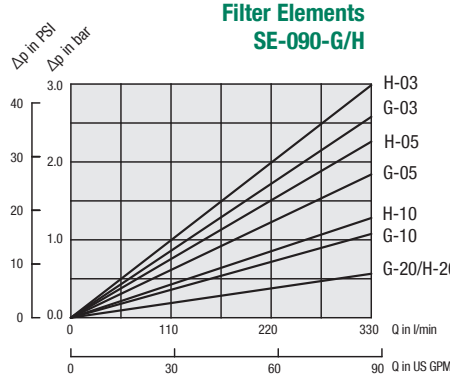
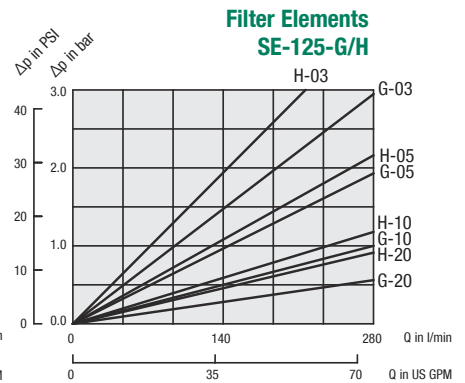
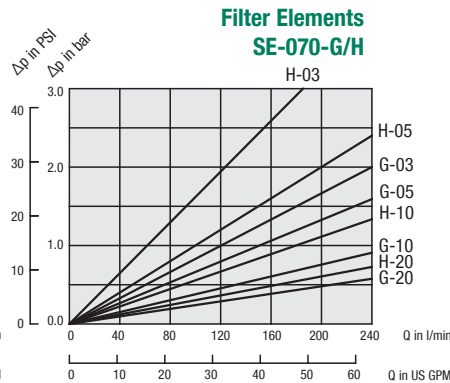
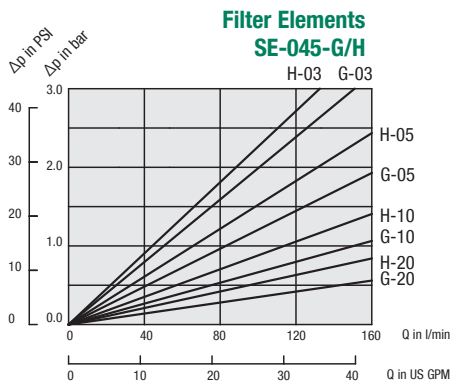
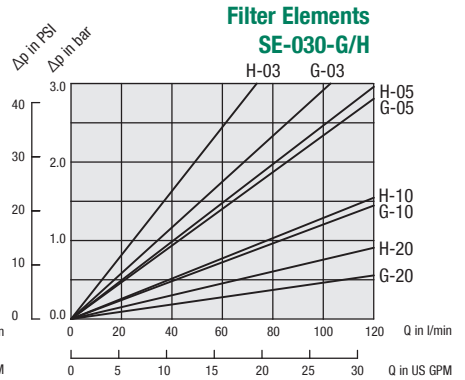
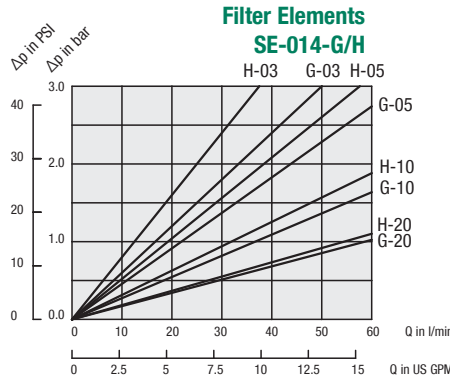
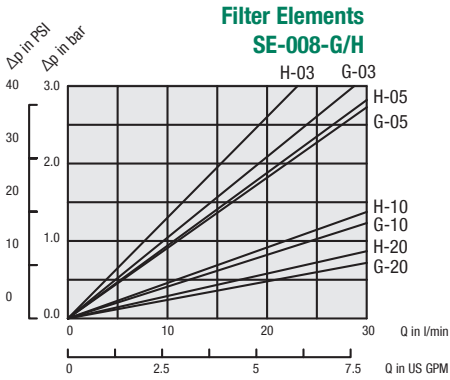
C



## High and Medium Pressure Filters - Type SF / SF-TM / SFZ / SFA

The following characteristics are valid for mineral oils with a density of 0,85 kg/dm<sup>3</sup> and the kinematic viscosity of 30 mm<sup>2</sup>/s (30 cst). The characteristics have been determined in accordance to ISO 3968. Multipass filter ratings have been obtained in accordance to ISO 16889. Contact STAUFF for details.

C



## Medium Pressure Filters ▪ Type SMPF



C

**Product Description**

STAUFF SMPF Medium Pressure Filters are designed for in-line hydraulic applications with a maximum operating pressure of 110 bar / 1600 PSI. Used together with STAUFF Filter Elements, a high efficiency of contamination removal is assured.

**Technical Data**
**Construction**

- In-line assembly

**Materials**

- Filter head: Aluminium Alloy
- Filter bowl: Aluminium Alloy
- Sealings: NBR (Buna-N®)

**Port Connections**

- BSP
- SAE O-ring thread

**Flow Rating**

- Up to 90 l/min / 25 US GPM

**Operating Pressure**

- Max. 110 bar / 1600 PSI

**Burst Pressure**

- 300 bar / 4350 PSI

**Temperature Range**

- -25 °C ... +110 °C / -13 °F ... +230 °F

**Filter Elements**

- Specifications see page 62

**Media Compatibility**

- Mineral oils, other fluids on request

**Options and Accessories**
**Valve**

- Bypass valve: Allows unfiltered oil to bypass the contaminated element once the opening pressure has been reached  
6 bar / 87 PSI  $\pm 10\%$  is the standard actuating pressure

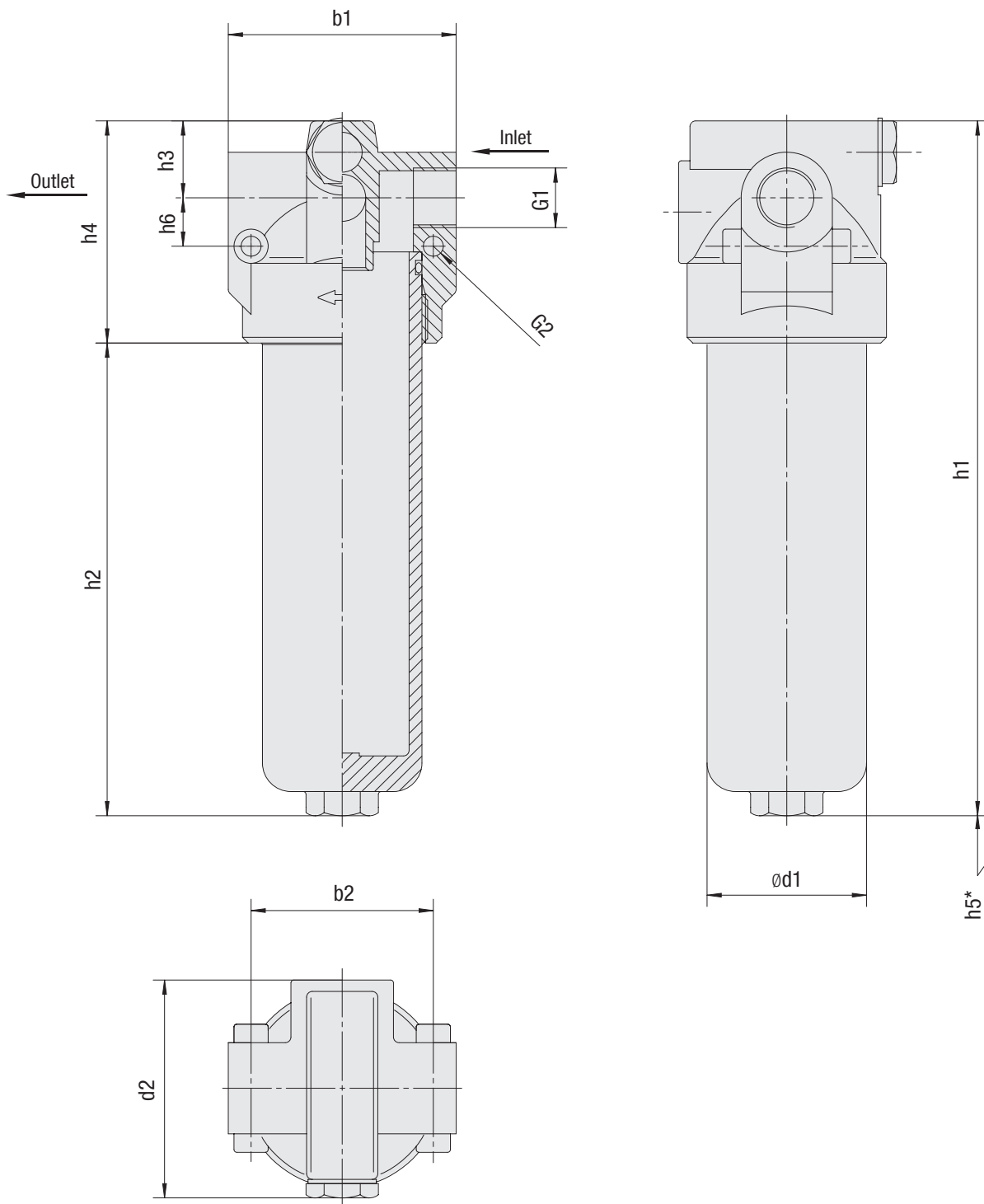
**Clogging Indicators**

- Standard actuating pressure: 5 bar / 72.5 PSI  $\pm 10\%$
- Available indicators: Visual  
Visual-electrical



Medium Pressure Filters - Type SMPF

C



\* recommended space for element change



## Medium Pressure Filters ▪ Type SMPF

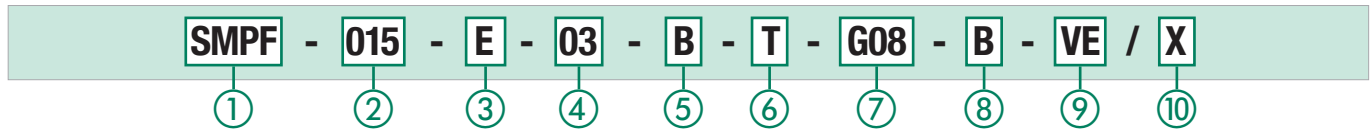
Thread Connection G1	Filter Size SMPF	
	015	025
Nominal Flow (l/min / US GPM)	60	90
	15	25
BSP	1/2	1/2
SAE O-ring thread	3/4-16	3/4-16
Weight (kg/lb)	0,95	1,25
	2.09	2.76

Dimensions (mm/in)	Filter Size SMPF	
	015	025
b1	80	80
	3.15	3.15
b2	64	64
	2.52	2.52
d1	56	56
	2.20	2.20
d2	76,5	76,5
	3.01	3.01
h1	157	244
	6.18	9.61
h2	79	166
	3.11	6.54
h3	27	27
	1.06	1.06
h4	78	78
	3.07	3.07
h5	60	60
	2.36	2.36
h6	17	17
	.67	.67
G2	7	7
	.28	.28

C



Medium Pressure Filter Housings / Complete Filters ■ Type SMPF



① Type

Medium Pressure Filter **SMPF**

② Group

Flow	Size
60 l/min / 15 US GPM	<b>015</b>
90 l/min / 25 US GPM	<b>025</b>

Note: Exact flow will depend on filter element selected  
For technical data please see page 64.

③ Filter Material

Material	Max. Δp*collapse	Micron ratings available	Code
Without filter element	-	-	<b>0</b>
Inorg. glass fibre	20 bar / 290 PSI	03,05,10,20	<b>E</b>
Stainless mesh	20 bar / 290 PSI	60	<b>S</b>

\* Note: Collapse/burst resistance as per ISO 2941.  
Other materials on request.

④ Micron Rating

3 µm	<b>03</b>
5 µm	<b>05</b>
10 µm	<b>10</b>
20 µm	<b>20</b>
60 µm	<b>60</b>

Note: Other micron ratings on request.

⑤ Sealing Material

NBR (Buna®) **B**  
Note: Other sealing materials on request.

⑥ Mounting Style

In-line **T**

⑦ Connection Style

BSP 1/2 **G08**  
SAE O-ring thread 3/4-16 **U08**

⑧ Valve

Without valve **0**  
Bypass valve **B**

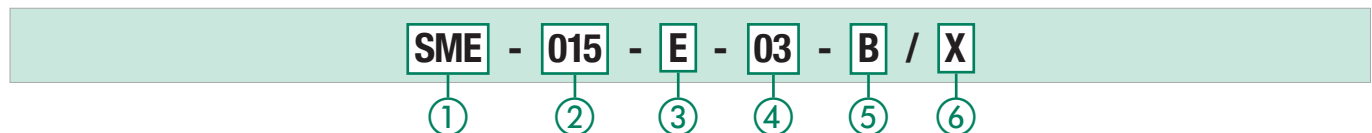
⑨ Clogging Indicator

Without Clogging Indicator **0**  
Visual **V**  
Visual-electrical **VE**

⑩ Design Code

Only for information **X**

Filter Elements ■ Type SME



① Type

Filter Element Series **SME**

② Group

According to filter housing

③ Filter Material

Material	Max. Δp*collapse	Micron ratings available	Code
Inorg. glass fibre	20 bar / 290 PSI	03,05,10,20	<b>E</b>
Stainless mesh	20 bar / 290 PSI	60	<b>S</b>

\* Note: Collapse/burst resistance as per ISO 2941.  
Other materials on request.

④ Micron Rating

3 µm	<b>03</b>
5 µm	<b>05</b>
10 µm	<b>10</b>
20 µm	<b>20</b>
60 µm	<b>60</b>

Note: Other micron ratings on request.

⑤ Sealing Material

NBR (Buna®) **B**  
Note: Other sealing materials on request.

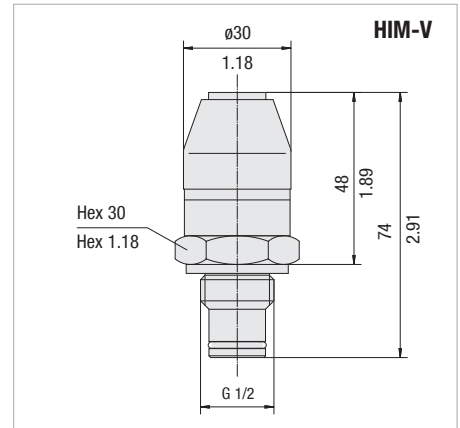
⑥ Design Code

Only for information **X**

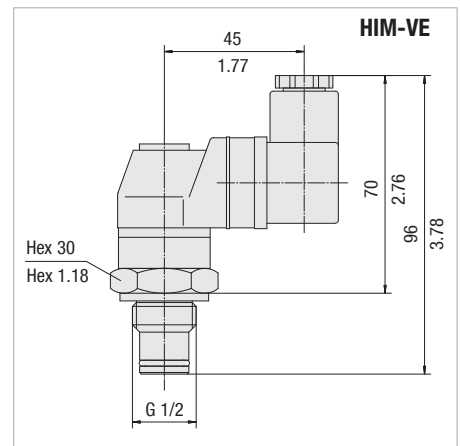


**Medium Pressure Filters - Type SMPF**
**Visual Clogging Indicator**

Part number **HIM-V** is a clogging indicator actuated by the differential pressure across the filter element. The actuating pressure of 5 bar / 72.5 PSI allows the clogged element to be changed before the bypass setting of 6 bar / 87 PSI is reached.


**Visual-Electrical Clogging Indicator**

Part number **HIM-VE** is used when an electrical signal is needed to indicate when the element needs changing. It is actuated by the differential pressure across the filter element. The actuating pressure of 5 bar / 72.5 PSI allows the clogged element to be changed before the bypass setting of 6 bar / 87 PSI is reached.

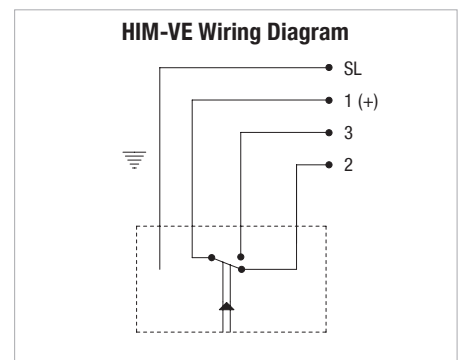


Dimensions in mm / in

**HIM-VE Rated Capacity**

Voltage V	Resistive Load A	Inductive Load A
125 V AC	5	5
250 V AC	5	5
15 V AC	10	10
30 V DC	5	5
50 V DC	1	1
125 V DC	0.50	0.06

Note: The customer / user carries the responsibility for the electrical connection.


**Order Code**

**HIM** - 
 **V** - 
 **B** - 
 **B5.0** / 
 **X**

1    
 2    
 3    
 4    
 5

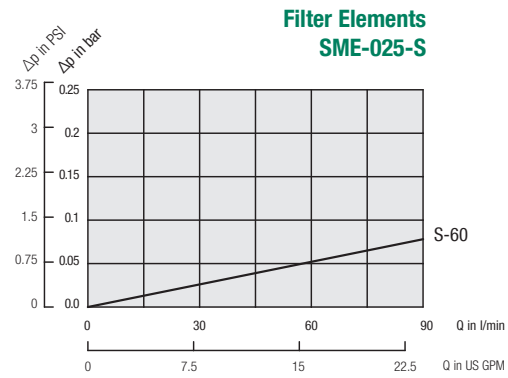
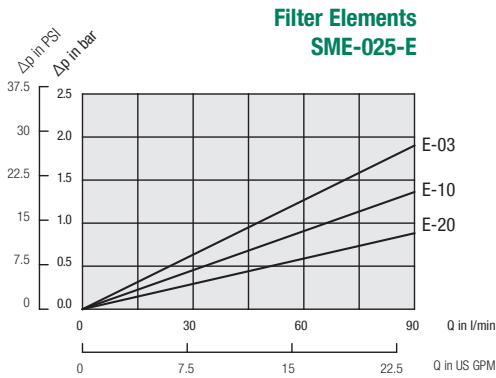
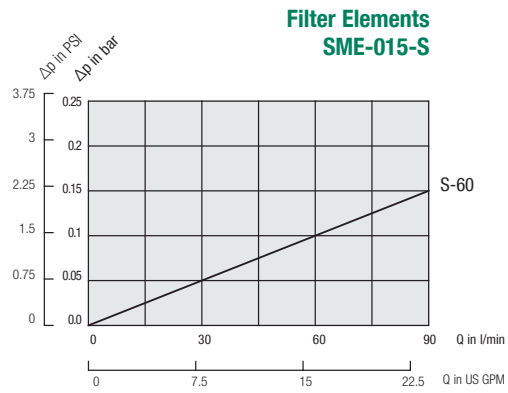
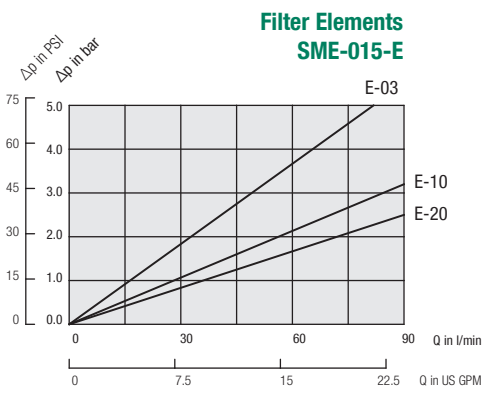
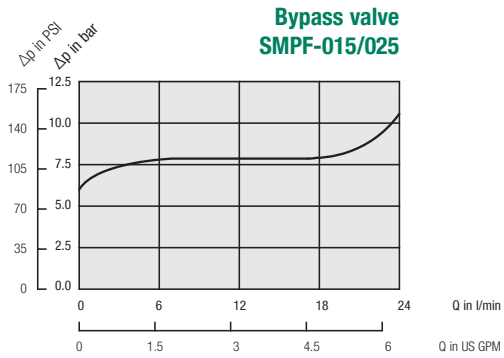
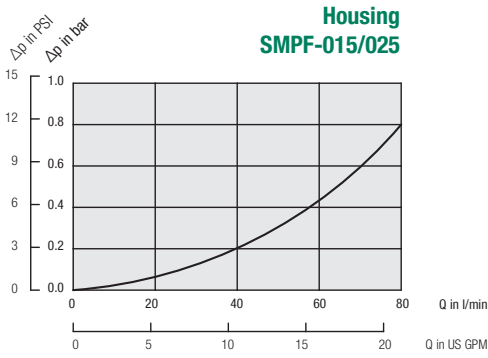
<b>① Type</b> Clogging Indicator SMPF Series <b>HIM</b>	<b>③ Sealing Material</b> NBR (Buna®) <b>B</b>	<b>⑤ Design Code</b> Only for information <b>X</b>
<b>② Indicator Type</b> Visual <b>V</b> Visual-electrical <b>VE</b>	<b>④ Differential Pressure Setting</b> 5,0 bar / 72.5 PSI <b>B5.0</b>	



## Medium Pressure Filters - Type SMPF Flow Characteristics

The following characteristics are valid for mineral oils with a density of 0,85 kg/dm<sup>3</sup> and the kinematic viscosity of 30 mm<sup>2</sup>/s (30 cSt). The characteristics have been determined in accordance to ISO 3968. Multipass filter ratings have been obtained in accordance to ISO 16889. Contact STAUFF for details.

C





### Checklist for the selection of filter housings

Please use the following Checklist as a guideline when preparing an enquiry for the selection of filter housings. Scan or copy the page from the catalogue, print and com-

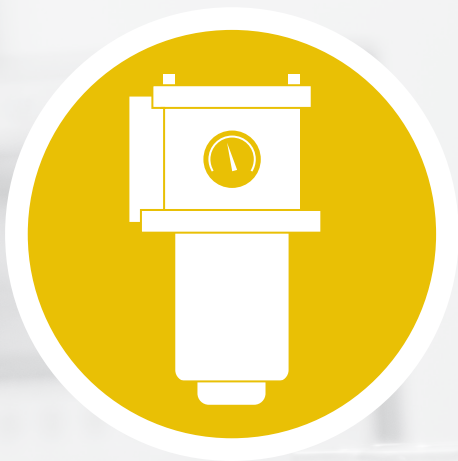
plete it with as much information as possible, before sending it by email or fax to the closest STAUFF branch office. If possible, please also let us know the quantities required,

and if the enquiry is for a one-time or recurring demand. We look forward to hearing from you, and are always available for consultation, when required.

<b>Information on the fluid in use</b>					
<b>Type of fluid</b>	<input type="text"/>	Brand	<input type="text"/>	ISO designation	
<b>Fluid viscosity</b>	<input type="text"/>	<input type="checkbox"/>	mm <sup>2</sup> /sec	<input type="checkbox"/>	cSt
<b>Fluid temperature</b>	<input type="text"/>	°C	<input type="checkbox"/>	°F	<input type="text"/>
			<input type="checkbox"/>	In cold condition	<input type="text"/>
					<input type="checkbox"/>
				In warm condition	
<b>Information on the filter housing</b>					
<b>Position in the hydraulic system</b>	<input type="checkbox"/>	Suction line	<input type="checkbox"/>	Pressure line	<input type="checkbox"/>
				Return line	
<b>Operating pressure</b>	<input type="text"/>	<input type="checkbox"/>	bar	<input type="checkbox"/>	PSI
<b>Nominal flow</b>	<input type="text"/>	<input type="checkbox"/>	l/min	<input type="checkbox"/>	US GPM
<b>Valve</b>	<input type="checkbox"/>	No, not required			
	<input type="checkbox"/>	Yes, the following type:	<input type="checkbox"/>	Bypass valve	<input type="checkbox"/>
			<input type="checkbox"/>	Non-return valve	<input type="checkbox"/>
			<input type="checkbox"/>	Reverse flow valve	<input type="checkbox"/>
			<input type="checkbox"/>	Multi-function valve	
<b>Clogging indicator</b>	<input type="checkbox"/>	No, not required			
	<input type="checkbox"/>	Yes, the following type:	<input type="checkbox"/>	Visual	<input type="checkbox"/>
			<input type="checkbox"/>	Electrical	<input type="checkbox"/>
			<input type="checkbox"/>	Visual-electrical	
<b>Connection type and size</b>	<input type="text"/>				
<b>Sealing material</b>	<input type="checkbox"/>	NBR (Buna®)	<input type="checkbox"/>	FKM (Viton®)	<input type="text"/>
				Other	
<b>Information on the filter element</b>					
<b>Filter media</b>	<input type="checkbox"/>	Inorganic Glass Fibre	<input type="checkbox"/>	Polyester Fibre	<input type="checkbox"/>
			<input type="checkbox"/>	Cellulose Fibre	<input type="checkbox"/>
				Stainless Fibre	<input type="checkbox"/>
				Stainless Mesh	
<b>Micron rating</b>	<input type="text"/>	µm			
<b>Cleanliness level</b>	<input type="text"/>	(to ISO 4406)			
<b>Information on the application</b>	<input type="text"/>				
<b>Information on the ambient conditions</b>	<input type="text"/>				
<b>Additional information and requirements</b>	<input type="text"/>				

C





**Overview Return-Line Filters** 68

RF / RFA / RFB / RFS / RFS-D / RTF / RTF-N



**Return-Line Filters** **RF** 69 - 76

Max. 16 bar / 232 PSI  
Max. 500 l/min / 130 US GPM

Technical Data / Dimensions 70 - 71

Order Code - Return-Line Filter 72

Order Code - Filter Elements 72

**Options - Clogging Indicators** 73 - 74

**Flow Characteristics** 75 - 76



**Return-Line Filters** **RFA** 77 - 83

Max. 25 bar / 365 PSI  
Max. 110 l/min / 30 US GPM

Technical Data / Dimensions 78 - 79

Order Code - Return-Line Filter 80

Order Code - Filter Elements 80

**Options - Clogging Indicators** 81 - 82

**Flow Characteristics** 83

**Checklist for the selection of filter housings** 84



**Return-Line Filters** **RFB** 85 - 91

Max. 10 bar / 145 PSI  
Max. 185 l/min / 52 US GPM







Technical Data / Dimensions 86 - 87

Order Code - Return-Line Filter 88

Order Code - Filter Elements / Air Filter Elements 88

**Options - Clogging Indicators** 89 - 90

**Flow Characteristics** 91

	<b>Checklist for the selection of filter housings</b>	<b>92</b>			
	<b>Return-Line Filters</b> Max. 25 bar / 365 PSI Max. 1135 l/min / 300 US GPM	<b>RFS / RFS-D</b>	<b>93 - 102</b>		<b>Return-Line Filters</b> Max. 6,9 bar / 100 psi Max. 379 l/min / 100 US GPM
	Technical Data / Dimensions		<b>94 - 97</b>		Technical Data / Dimensions
	Order Code - Return-Line Filter		<b>98</b>		Order Code - Return-Line Filter
	Order Code - Filter Elements		<b>98</b>		Order Code - Filter Elements
	<b>Options - Clogging Indicators</b>		<b>99 - 100</b>		
	<b>Flow Characteristics</b>		<b>101 - 102</b>		
	<b>Return-Line Filters</b> Max. 6,9 bar / 100 PSI Max. 95 l/min / 25 US GPM	<b>RTF-10/15/25</b>	<b>103 - 106</b>		<b>Return-Line Filters</b> Max. 10 bar / 145 psi Max. 500 l/min / 132 GPM
	Technical Data / Dimensions		<b>104 - 105</b>		Technical Data / Dimensions
	Order Code - Return-Line Filter		<b>106</b>		Order Code - Return-Line Filter
	Order Code - Filter Elements		<b>106</b>		Order Code - Filter Elements
					<b>Flow Characteristics</b>
					RTF
					<b>Options - Clogging Indicators</b>
	<b>Return-Line Filters</b> Max. 6,9 bar / 100 PSI Max. 115 l/min / 30 US GPM	<b>RTF-20</b>	<b>107 - 110</b>		
	Technical Data / Dimensions		<b>108 - 109</b>		
	Order Code - Return-Line Filter		<b>110</b>		
	Order Code - Filter Elements / Air Filter Elements		<b>110</b>		
	<b>Return-Line Filters</b> Max. 6,9 bar / 100 psi Max. 378 l/min / 100 US GPM	<b>RTF-40</b>	<b>111 - 114</b>		
	Technical Data / Dimensions		<b>112 - 113</b>		
	Order Code - Return-Line Filter		<b>114</b>		
	Order Code - Filter Elements		<b>114</b>		

D



## Description

STAUFF Return-Line Filters were designed as filters for tank-top mounting, tank-inside mounting or inline mounting. They filter the hydraulic oil before it flows back into the reservoir. This ensures that contamination arising in the components does not get into the tank. Return-Line filters maintain the targeted purity class like Pressure Filters. However, because of their arrangement, they do not fulfil the additional function of a protection filter. In contrast to a Pressure Filter, it only has to withstand low pressure levels.

The practical design of STAUFF Return-Line Filters enables quick assembly as well as easy exchange of the filter elements.

### Media Compatibility

- Mineral oils, others on request

### Options and Accessories

#### Valves

- Bypass valve integrated in the filter element (except STAUFF Return-Line Filter RTF)

#### Clogging Indicators

- On request with visual clogging indicator or electrical clogging switch
- Others on request



#### Type RF

- Filter bowl with option of thread connection (e.g. STAUFF Diffuser SRV) or leakage oil connection
- Operating pressure: max. 16 bar / 232 PSI
- Nominal flow rate: max. 500 l/min / 130 US GPM
- Materials: Filter head: Aluminium, Filter bowl: PA
- Connections: BSP, NPT, SAE thread or SAE flange (ISO 6162-1)



#### Type RFA

- Filter bowl with option of thread connection (e.g. STAUFF Diffuser SRV) or leakage oil connection
- Operating pressure: max. 25 bar / 365 PSI
- Nominal flow rate: max. 110 l/min / 30 US GPM
- Materials: Filter housing: Aluminium
- Connection: SAE thread



#### Type RFB

- Low weight and compact design
- Filter bowl with option of thread connection
- Filter head with option of integrated air filter
- Operating pressure: max. 10 bar / 145 PSI
- Nominal flow rate: max. 185 l/min / 52 US GPM
- Materials: Filter head: Aluminium, Filter bowl: PA
- Connections: BSP, NPT, SAE thread



#### Type RFS and RFS-D

- Robust design, suitable for high flow rates
- Filter bowl with option of BSP or SAE flange
- Operating pressure: max. 25 bar / 365 PSI
- Nominal flow rate: max. 1135 l/min / 300 US GPM
- Materials: Filter head and bowl: Steel
- Connections: BSP or SAE flange (ISO 6162-1)



#### Type RTF

- Filter bowl is designed to return the oil beneath the surface thus preventing entrainment of air
- Filter head with option of integrated air filter
- Operating pressure: max. 10 bar / 49 PSI
- Nominal flow rate: max. 380 l/min / 100 US GPM
- Materials: Filter head: Aluminium, Filter bowl: PA or Steel
- Connection: BSP or NPT, others on request

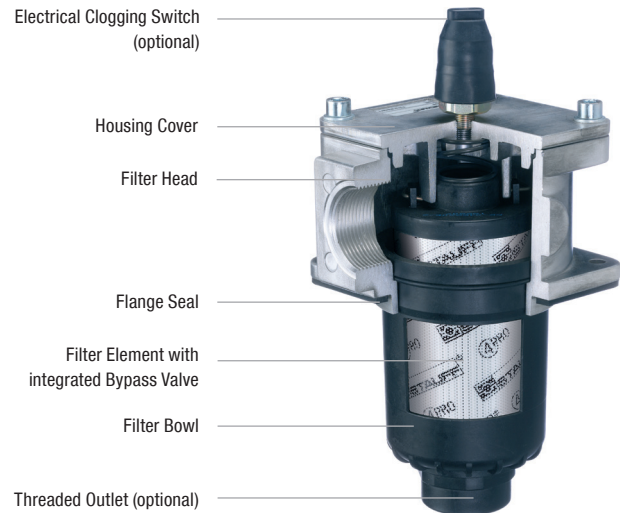


#### Type RTF-N

- Return-Line insert filter
- Custom reservoir design with an in-tank filtering system
- Magnetic pre-filtration
- Operating pressure: max. 10 bar / 145 PSI
- Nominal flow rate: max. 500 l/min / 132 US GPM
- Materials: Flange plate: Aluminium, Magnet rod / Bypass / Diffuser: Steel



## Return-Line Filters ■ Type RF



D

**Product Description**

STAUFF RF Return-Line Filters are designed as tank top filters. They are mounted directly on the tank top and when 100% of the system's oil is filtered they provide the optimum removal of contaminant from the system. This provides the pump with clean oil thus reducing contaminant generated wear. The filter bowl is designed to return the oil beneath the surface thus preventing the entrainment of air by the returning oil. A high efficiency of contaminant removal is assured by using STAUFF RE Replacement Filter Elements. The high dirt-hold capacity of STAUFF Elements ensures a long service life and as a result reduced maintenance costs.

**Technical Data**
**Construction**

- Tank Top flange mounting

**Materials**

- Filter head: Aluminium
- Filter bowl: Glass Fibre reinforced Polyamide
- Sealings: NBR (Buna-N®)  
FKM (Viton®)  
EPDM (Ethylene-Propylene-Diene-Monomer-Rubber)  
Other sealing materials on request

**Port Connections**

- BSP
- NPT
- SAE O-ring thread
- SAE flange 3000 PSI

**Operating Pressure**

- Max. 16 bar / 232 PSI

**Temperature Range**

- -10 °C ... +100 °C / +14 °F ... +212 °F

**Filter Elements**

- Specifications see page 72

**Media Compatibility**

- Mineral oils, other fluids on request

**Options and Accessories**
**Valve**

- Bypass valve (integrated in the filter element): Opening pressure 3 bar ± 0,3 bar / 43.5 PSI ± 4.35 PSI  
Other settings available on request

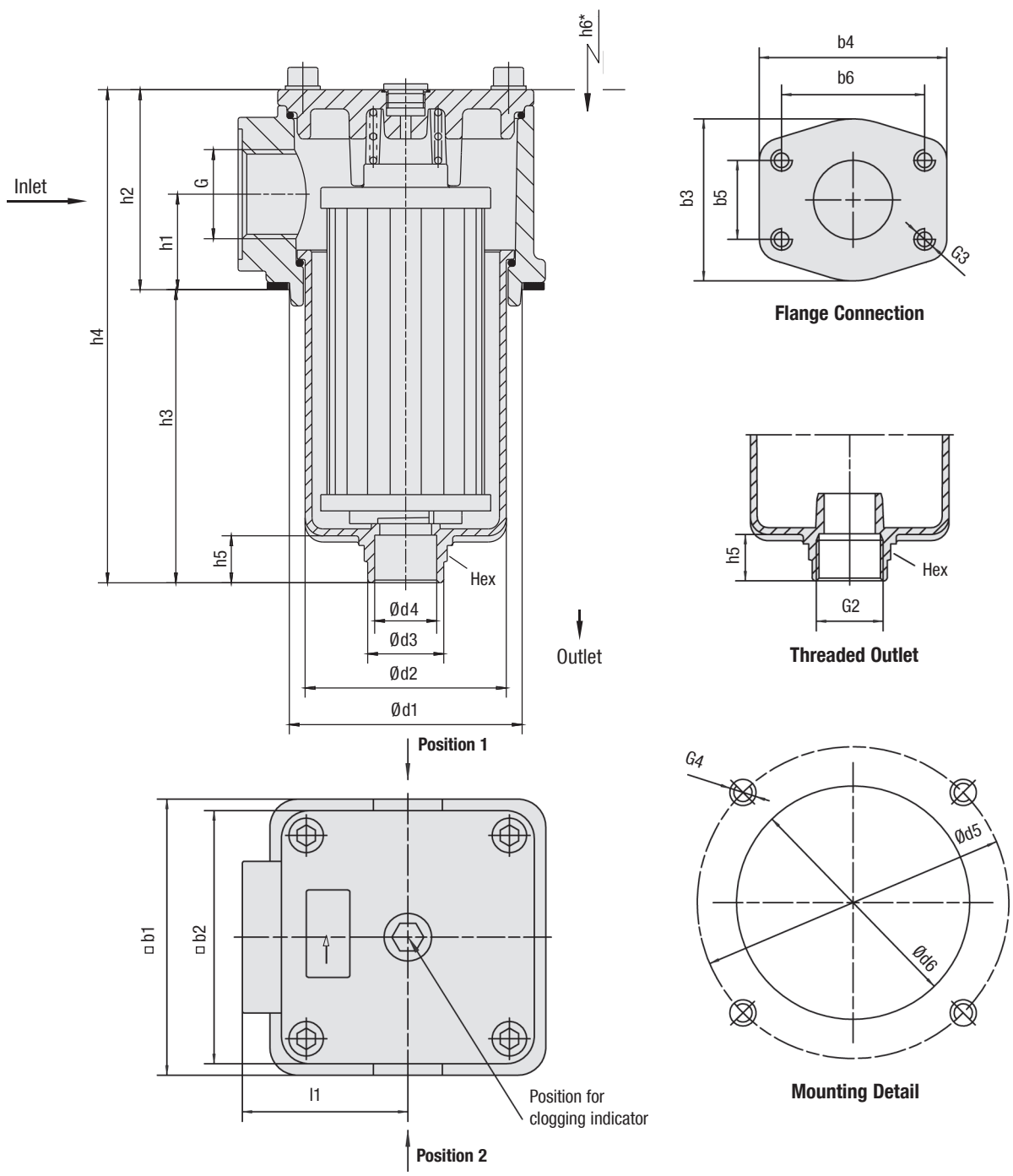
**Clogging Indicators**

- For clogging indicator types please see page 73



Return-Line Filters ▪ Type RF

D



\* recommended space for element change



## Return-Line Filters ▪ Type RF

Thread Connection G	Filter Size RF					
	014	030	045	070	090	130
BSP	3/4	1	1-1/4	1-1/2	2	2
NPT	3/4	1	1-1/4	1-1/2	2	2
SAE O-ring Thread	1-1/16-12	1-5/16-12	1-5/8-12	1-7/8-12	1-7/8-12	1-7/8-12
SAE Flange 3000 PSI	-	-	-	-	2	2

Dimensions (mm/in)	Filter Size RF					
	014	030	045	070	090	130
b1	89	89	120	120	150	150
	3.50	3.50	4.72	4.72	5.91	5.91
b2	80	80	110	110	135	135
	3.15	3.15	4.33	4.33	5.31	5.31
b3	-	-	-	-	88	88
	-	-	-	-	3.47	3.47
b4	-	-	-	-	102	102
	-	-	-	-	4.02	4.02
b5	-	-	-	-	42,9	42,9
	-	-	-	-	1.69	1.69
b6	-	-	-	-	77,8	77,8
	-	-	-	-	3.06	3.06
d1	73	73	100	100	126	126
	2.87	2.87	3.94	3.94	4.96	4.96
d2	57,5	57,5	84	84	112,5	112,5
	2.26	2.26	3.31	3.31	4.43	4.43
d3	36	36	48	48	54,5	54,5
	1.42	1.42	1.89	1.89	2.15	2.15
d4	17	17	28	28	37,5	37,5
	.67	.67	1.1	1.1	1.48	1.48
d5	100	100	135	135	170	170
	3.94	3.94	5.31	5.31	6.69	6.69
d6	78	78	105	105	131	131
	3.07	3.07	4.13	4.13	5.16	5.16
h1	33	33	41	41	47	47
	1.30	1.30	1.61	1.61	1.85	1.85
h2	66	66	86	86	98	98
	2.60	2.60	3.39	3.39	3.86	3.86
h3	91,5	159,5	119	180	172,5	252,5
	3.60	6.28	4.69	7.09	6.79	9.94
h4	157,5	225,5	206	267	273,5	353,5
	6.20	8.88	8.11	10.51	10.77	13.91
h5	23,5	23,5	24	24	27	27
	.93	.93	.95	.95	1.06	1.06
h6	140	210	180	240	235	315
	5.51	8.27	7.09	9.45	9.25	12.40
I1	48	48	66	66	85	85
	1.89	1.89	2.60	2.60	3.35	3.35
G2	G1 or 1 NPT	G1 or 1 NPT	G1-1/4 or 1-1/4 NPT	G1-1/4 or 1-1/4 NPT	G1-1/2 or 1-1/2 NPT	G1-1/2 or 1-1/2 NPT
G3	-	-	-	-	M12x15	M12x15
G4	M6 or 1/4-20 UNC	M6 or 1/4-20 UNC	M8 or 5/16-18 UNC	M8 or 5/16-18 UNC	M10 or 3/8-16 UNC	M10 or 3/8-16 UNC
Hex	36	36	50	50	55	55
	1.42	1.42	1.97	1.97	2.16	2.16



Return-Line Filter Housings / Complete Filters - Type RF



① Type

Return-Line Filter **RF**

② Group

Flow	Size
60 l/min / 14 US GPM	<b>014</b>
110 l/min / 30 US GPM	<b>030</b>
160 l/min / 45 US GPM	<b>045</b>
240 l/min / 70 US GPM	<b>070</b>
330 l/min / 90 US GPM	<b>090</b>
500 l/min / 130 US GPM	<b>130</b>

Note: Exact flow will depend on the selected filter element. For technical data please see pages 75 / 76.

③ Filter Material

Material	max. Δp*collapse	Micron ratings available	Code
Without filter element	-	-	<b>O</b>
Inorg. glass fibre	25 bar / 363 PSI	3, 5, 10, 20	<b>G</b>
Stainless fibre	30 bar / 435 PSI		<b>A</b>
Filter paper	10 bar / 145 PSI	10, 20	<b>N</b>
Stainless mesh	30 bar / 435 PSI	25, 50, 100, 200	<b>S</b>

Note: \*Collapse/burst resistance as per ISO 2941. Other materials on request.

④ Micron Rating

3 µm	<b>03</b>
5 µm	<b>05</b>
10 µm	<b>10</b>
20 µm	<b>20</b>
25 µm	<b>25</b>
50 µm	<b>50</b>
100 µm	<b>100</b>
200 µm	<b>200</b>

Note: Other micron ratings on request.

⑤ Sealing Materials

NBR (Buna®)	<b>B</b>
FKM (Viton®)	<b>V</b>
EPDM	<b>E</b>

Note: Other sealing materials on request

⑥ Connection Style

Connection Style	Thread Style	Group 014	Code	Group 030	Code	Group 045	Code	Group 070	Code	Group 090	Code	Group 130	Code
BSP	-	3/4	<b>G12</b>	1	<b>G16</b>	1-1/4	<b>G20</b>	1-1/2	<b>G24</b>	2	<b>G32</b>	2	<b>G32</b>
BSP	-	1/2	G08	1/2	G08	1-1/2	G24	1-1/4	G20	1-1/4	G20	1-1/4	G20
BSP	-	1	G16	3/4	G12	-	-	-	-	1-1/2	G24	1-1/2	G24
NPT	-	3/4	<b>N12</b>	1	<b>N16</b>	1-1/4	<b>N20</b>	1-1/2	<b>N24</b>	2	<b>N32</b>	2	<b>N32</b>
NPT	-	1	N16	3/4	N12	1-1/2	N24	1-1/4	N20	1-1/2	N24	1-1/2	N24
SAE O-ring Thread	-	1-1/16	<b>U12</b>	1-5/16	<b>U16</b>	1-5/8	<b>U20</b>	1-7/8	<b>U24</b>	1-7/8	<b>U24</b>	1-7/8	<b>U24</b>
SAE O-ring Thread	-	1-5/16	U16	1-1/16	U12	1-7/8	U24	1-5/8	U20	1-5/8	U20	1-5/8	U20
SAE Flange 3000 PSI	metric	-	-	-	-	-	-	-	-	2	<b>C332M</b>	2	<b>C332M</b>
SAE Flange 3000 PSI	UNC	-	-	-	-	-	-	-	-	2	<b>C332U</b>	2	<b>C332U</b>

Note: Bold types identify preferred connection styles.

⑦ Clogging Indicator

Without Clogging Indicator	<b>O</b>
Visual Clogging Indicator	<b>V</b>
Electrical Clogging Switch 42 V, NO	<b>G42NO</b>
Electrical Clogging Switch 42 V, NC	<b>G42NC</b>
Electrical Clogging Switch 110 V ... 230 V, two-way contact (only for Code W)	<b>G230</b>

⑧ Option Clogging Indicator G42NO, G42NC and G230

Plug connector	<b>O</b>
M12 x 1,5	<b>M12</b>
AMP plug	<b>A</b>
Deutsch plug	<b>D</b>
Rubber boot	<b>S</b>
90 degree Polyamide cap (only for Code G230)	<b>W</b>

⑨ Outlet Style

Size	Connection thread	Code
all	Without thread (Standard outlet)	<b>O</b>
014 / 030	1" BSP / 1" NPT	<b>G16 / N16</b>
045 / 070	1 1/4 BSP / 1 1/4 NPT	<b>G20 / N20</b>
90 / 130	1 1/2 BSP / 1 1/2 NPT	<b>G24 / N24</b>

⑩ Additional Features

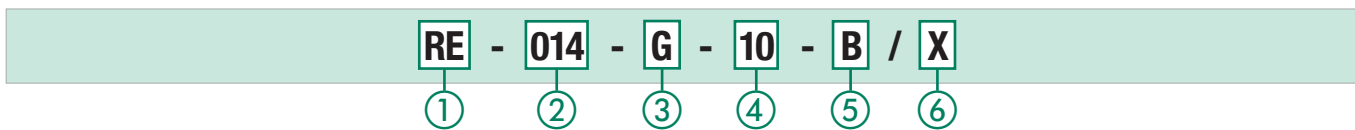
	Position*	
Without leakage oil connection	-	<b>none</b>
Leakage oil connection	1 2	<b>L</b>

Note: \*Position of the leakage oil connection see page 70. Without any code: assembly in the middle of the filter cover.

⑪ Design Code

Only for information	<b>X</b>
----------------------	----------

Filter Elements - Type RE



① Type

Filter Element Series **RE**

② Group

According to filter housing

③ Filter Material

Material	Max. Δp*collapse	Micron ratings available	Code
Inorg. glass fibre	25 bar / 363 PSI	3, 5, 10, 20	<b>G</b>
Stainless fibre	30 bar / 435 PSI		<b>A</b>
Filter paper	10 bar / 145 PSI	10, 20	<b>N</b>
Stainless mesh	30 bar / 435 PSI	25, 50, 100, 200	<b>S</b>

Note: \*Collapse/burst resistance as per ISO 2941. Other materials on request.

④ Micron Rating

3 µm	<b>03</b>
5 µm	<b>05</b>
10 µm	<b>10</b>
20 µm	<b>20</b>
25 µm	<b>25</b>
50 µm	<b>50</b>
100 µm	<b>100</b>
200 µm	<b>200</b>

Note: Other micron ratings on request.

⑤ Sealing Materials

NBR (Buna®)	<b>B</b>
FKM (Viton®)	<b>V</b>
EPDM	<b>E</b>

Note: Other sealing materials on request.

⑥ Design Code

Only for information	<b>X</b>
----------------------	----------





## Return-Line Filters ■ Type RF

## Electrical Clogging Switch

The switch is used where an electrical signal is needed to indicate when the element needs to be changed. The switch can turn on a light, or shut the machine down, or any further function controlled by an electric signal. The switching pressure is 2,5 bar / 36.25 PSI and this allows the element to be changed before the bypass setting of 3 bar / 43.5 PSI is reached.

Standard type with plug connector and rubber cap. Available with DEUTSCH DT04-2P plug (industrial standard), AMP Junior Timer plug (industrial standard) and five-pin circular connector M12, A-coded, according to IEC 61076-2-101.

## Technical Data

	Limit-Switch G42NO+NC	Limit-Switch G230
Switching Capacity	100 VA	1000 VA
Voltage	10...42 VAC	10...250 VAC
Current		10mA...4A
Switching Accuracy		± 0,5 bar at room temp. and new state
Switching Frequency		200/min
max. Pressure Ramp Rate		≤ 1 bar/ms
Degree of Protection	IP65 (plug type S and W), IP67 (plug type M12, A, D)	
Temperature Range	-30°C ... +100°C	-40°C ... +100°C

## Order Code

**Limit-Switch - G42NO - S - M10 - B2.5**

①

②

③

④

⑤

## ① Type

Limit-Switch

## ② Connector Type

Electrical Clogging Switch 42 V, NO	<b>G42NO</b>
Electrical Clogging Switch 42 V, NC	<b>G42NC</b>
Electrical Clogging Switch 110 V ... 230 V, two-way contact (only for Plug Type W)	<b>G230</b>

## ③ Plug Type

M12 Five-Pin Connector according to IEC 61076-2-101	<b>M12</b>
AMP-Junior-Timer Plug	<b>A</b>
DEUTSCH Plug DT04-2P	<b>D</b>
Rubber boot	<b>S</b>
90 degree Polyamide cap (only for Connector Type G230)	<b>W</b>

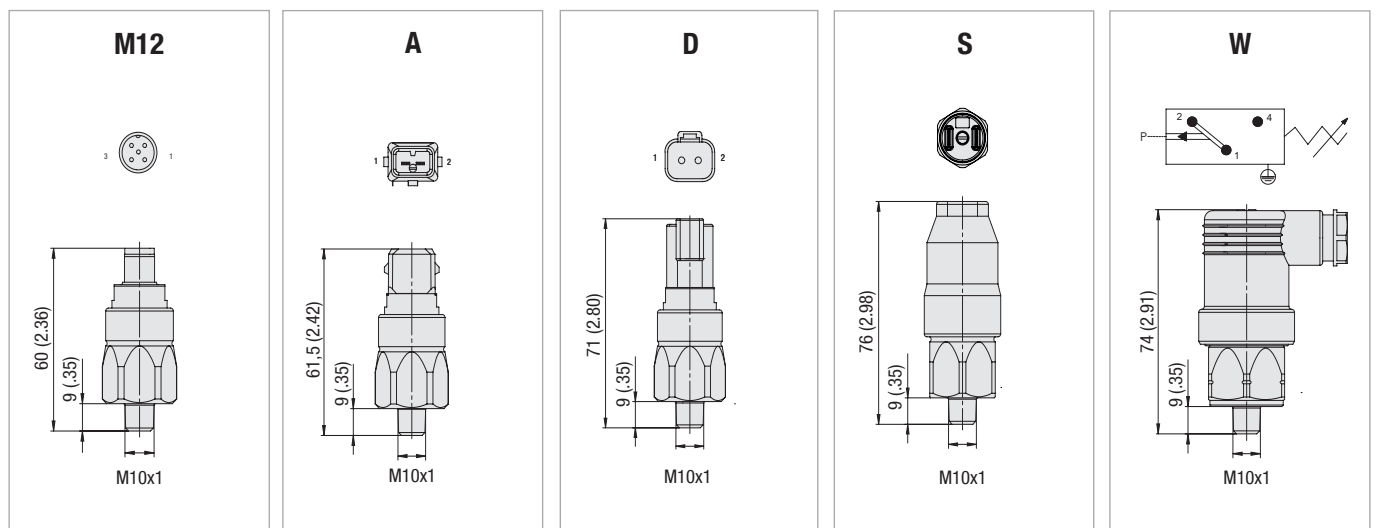
## ④ Thread Type

 M10 x 1 **M10**

## ⑤ Pressure Setting

 2,5 bar / 36.3 PSI **B2.5**

## Dimensions Plug Type



Note: The customer / user carries the responsibility for the electrical connection.



## Return-Line Filters - Type RF

### Visual Clogging Indicator

The gauge visually displays the degree of contamination of the element.  
The colored segments allow quick visual checking.

green	0 ... 2,5 bar / 0 ... 36.25 PSI	Element has service life left
yellow	2,5 ... 3,0 bar / 36.25 ... 43.5 PSI	Element is contaminated and should be changed
red	>3,0 bar / >43.5 PSI	Bypass valve open, unfiltered oil passing to tank

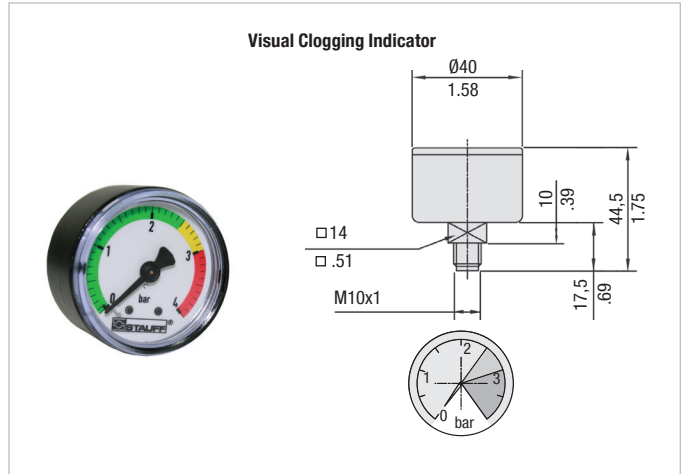
### Order Codes

**SPG-C-040-00004-02-P-M10-402922**



#### ① Type

Visual Clogging Indicator **SPG-C-040-00004-02-P-M10-402922**



### Filter Bowl with Threaded Connection

Under some circumstances such as a tall reservoir or one with oil levels which vary greatly during operation, it is necessary to extend the filter bowl so that the returning oil returns beneath the surface and does not entrain air in the process. The optional bowl with a female thread allows an extension to be fitted quite simply.

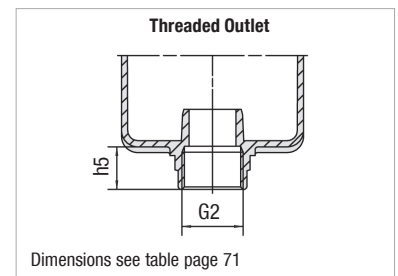
### Leakage Oil Connection

Seal or case drain lines can be connected to the filter through either of the clogging indicator ports providing that the leakage oil can accept a pressure of 3 bar / 43.5 PSI. It ensures that no unfiltered oil can return to the reservoir.

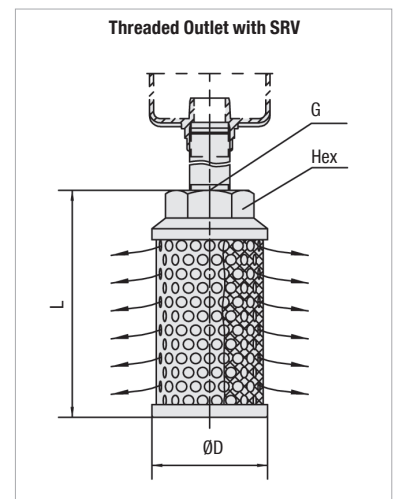
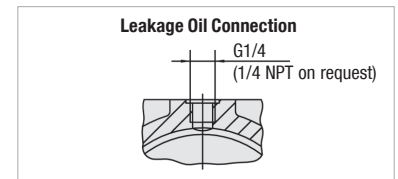
### Filter Bowl with Threaded Connection and Diffuser

Diffusers mounted to the filter bowl minimise foaming and reduce noise of high Return-Line flows. For further details on STAUFF Diffusers please refer to the Catalogue No. 10 - Hydraulic Accessories.  
Attention: Connection pipe not included in scope of delivery!

Size SRV	for Return-Line Filter Size	Dimensions (mm/in)		Thread G	Hex
		øD	L		
SRV-114-G16	RF-014/030	60	139	G1	46
SRV-114-N16		2.36	5.47	1 NPT	1.81
SRV-200-G20	RF-045/070	82	139	G1-1/4	60
SRV-200-N20		3.23	5.47	1-1/4 NPT	2.36
SRV-227-G24	RF-090/130	82	200	G1-1/2	60
SRV-227-N24		3.23	7.87	1-1/2 NPT	2.36



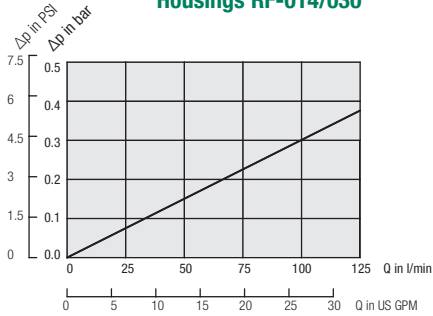
Dimensions see table page 71



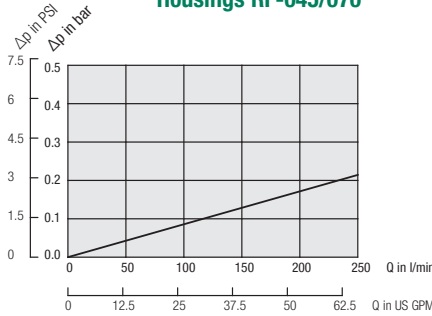
Return-Line Filters • Type RF Flow Characteristics

The following characteristics are valid for mineral oils with a density of 0,85 kg/dm<sup>3</sup> and the kinematic viscosity of 30 mm<sup>2</sup>/s (30cSt). The characteristics have been determined in accordance to ISO 3968. Multipass filter ratings have been obtained in accordance to ISO 16889. The housing pressure drop is directly proportional to the oil density. Contact STAUFF for details.

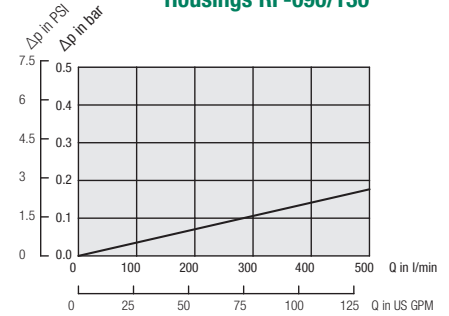
Housings RF-014/030



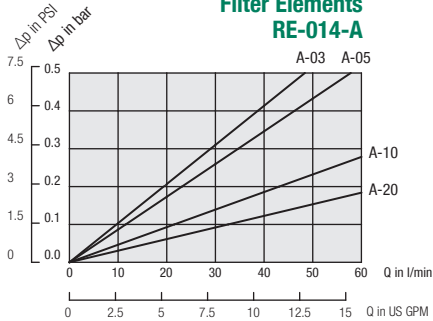
Housings RF-045/070



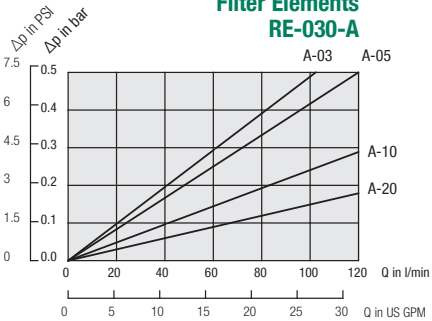
Housings RF-090/130



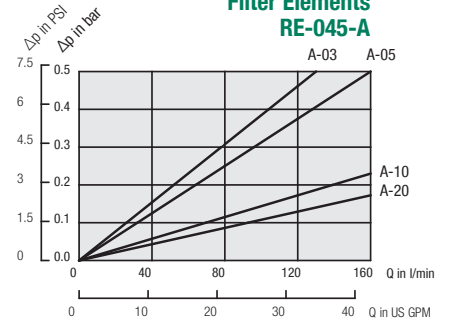
Filter Elements RE-014-A



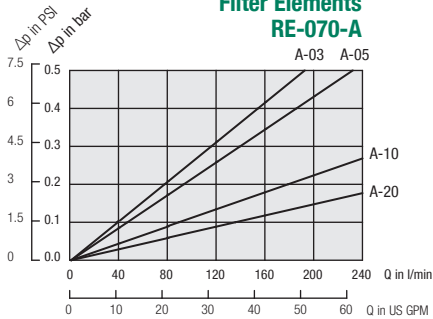
Filter Elements RE-030-A



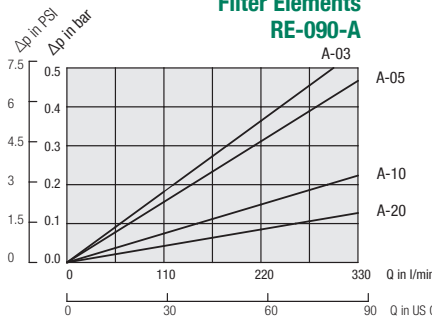
Filter Elements RE-045-A



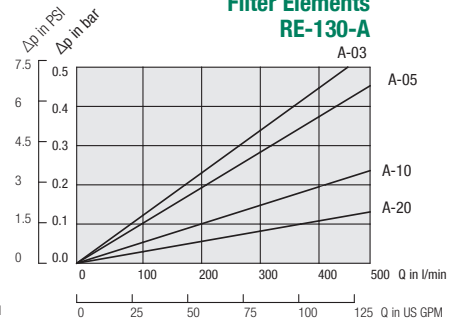
Filter Elements RE-070-A



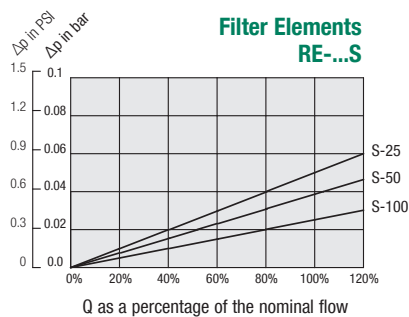
Filter Elements RE-090-A



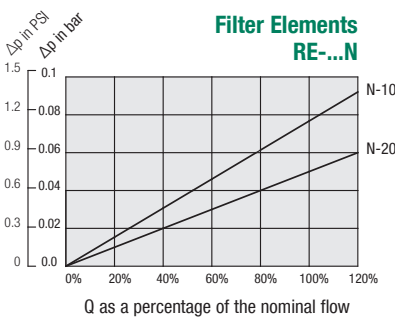
Filter Elements RE-130-A



Filter Elements RE-...S



Filter Elements RE-...N



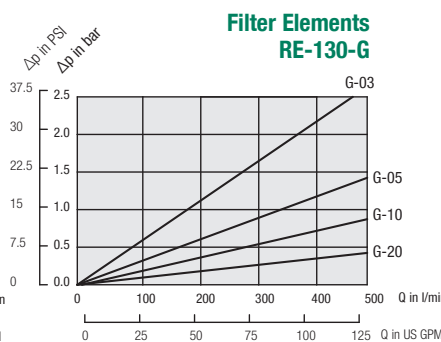
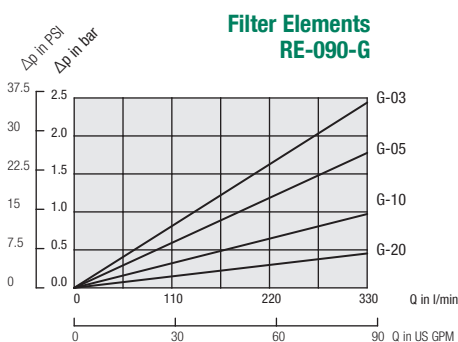
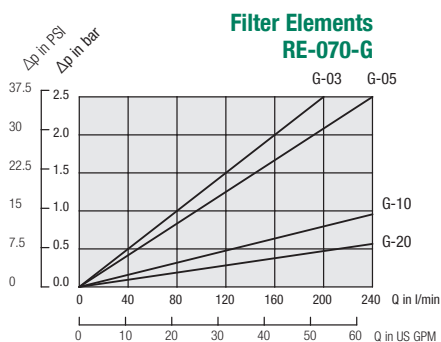
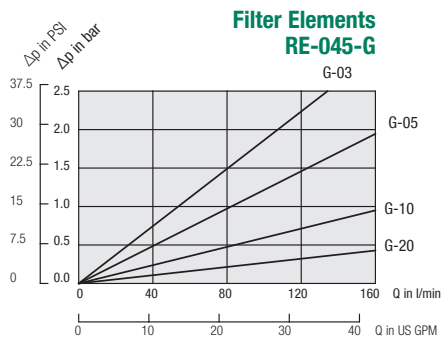
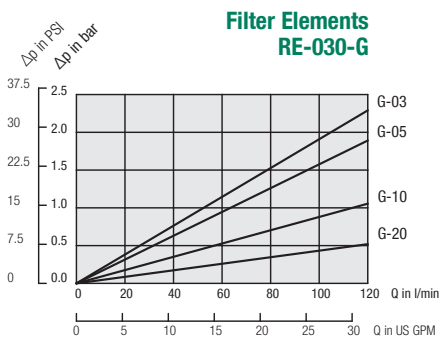
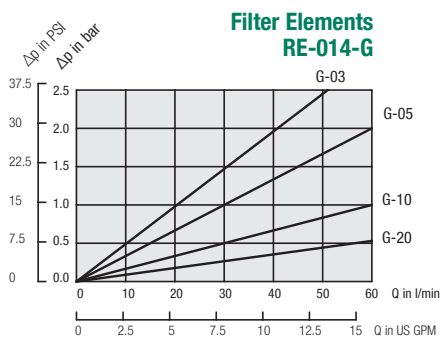
D



## Return-Line Filters - Type RF Flow Characteristics

The following characteristics are valid for mineral oils with a density of 0,85 kg/dm<sup>3</sup> and the kinematic viscosity of 30 mm<sup>2</sup>/s (30cSt). The characteristics have been determined in accordance to ISO 3968. Multipass filter ratings have been obtained in accordance to ISO 16889. The housing pressure drop is directly proportional to the oil density. Contact STAUFF for details.

D



## Return-Line Filters ■ Type RFA



D

**Product Description**

STAUFF RFA Return-Line Filters are a one piece design and can be used as a tank top or an in-line filter. They are mounted in the Return-Line and if 100% of the system oil is filtered, provide the optimum removal of contaminant for the systems. This provides the pump with clean oil, thus reducing contaminant generated wear. A high efficiency of contaminant removal is assured by using STAUFF RE Replacement Filter Elements. The high dirt-hold capacity of STAUFF Elements ensures a long service life and as a result reduced maintenance costs. Furthermore, this housing also offers the possibility of pipeline mounting.

**Technical Data**
**Construction**

- Tank Top or in-line mounting

**Materials**

- Filter housing: Aluminium
- Sealings: NBR (Buna-N®)  
FKM (Viton®)  
EPDM (Ethylene Propylene Diene Monomer Rubber)  
Other sealing materials on request

**Port Connections**

- SAE O-ring thread
- BSP

**Operating Pressure**

- Max. 25 bar / 365 PSI

**Temperature Range**

- -10 °C ... +100 °C / +14 °F ... +212 °F

**Filter Elements**

- Specifications see page 80

**Media Compatibility**

- Mineral oils, other fluids on request

**Options and Accessories**
**Valve**

- Bypass valve (integrated in the filter element)      Opening pressure 3 bar ± 0,3 bar / 43.5 PSI ± 4.35 PSI  
Other settings available on request

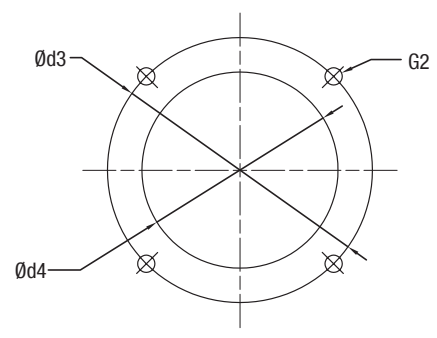
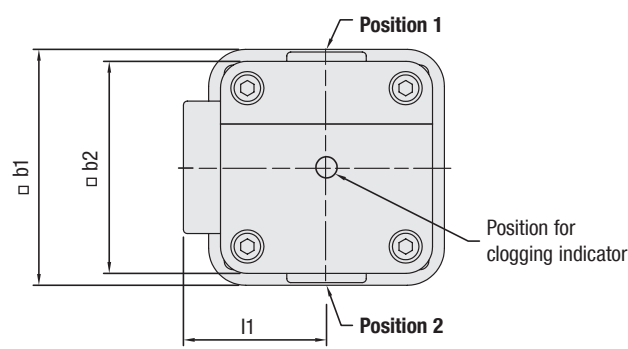
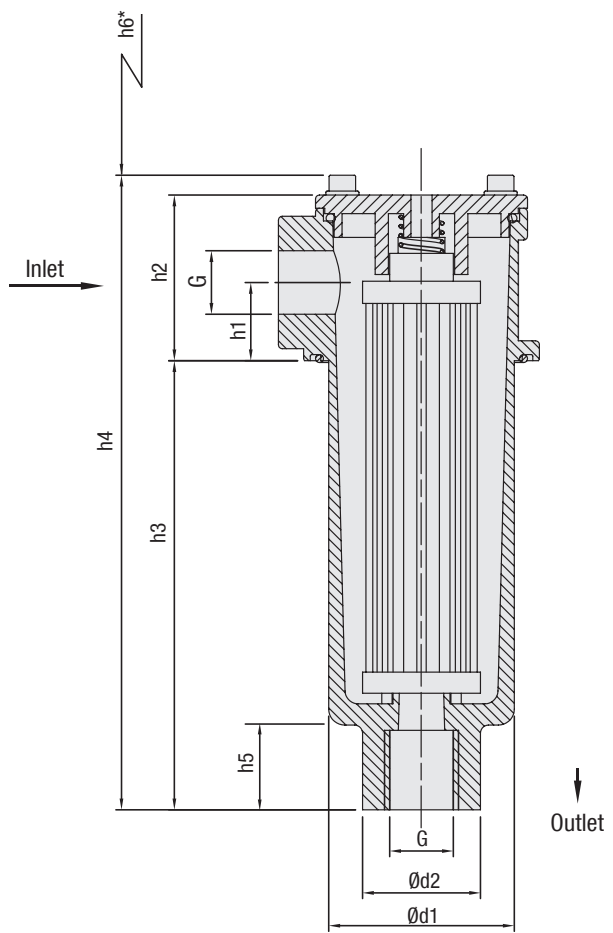
**Clogging Indicators**

- For clogging indicator types please see page 81



Return-Line Filters ▪ Type RFA

D



Mounting Detail

\* recommended space for element change



## Return-Line Filters ▪ Type RFA

Thread Connection G	Filter Size RFA-030
SAE O-ring Thread U12	1-1/16-12
SAE O-ring Thread U08	3/4-16
BSP G08	1/2
BSP G12	3/4

Dimensions (mm/in)	Filter Size RFA-030
h1	29,5
	1.16
h2	62,5
	2.46
h3	163,5
	6.44
h4	233,5
	9.19
h5	28
	1.10
h6	210
	8.27
b1	89
	3.50
b2	80
	3.15
d1	70
	2.76
d2	44,5
	1.75
d3	100
	3.94
d4	74
	2.91
l1	54
	2.16
G2	M6 or 1/4 UNC

D



## Return-Line Filter Housings / Complete Filters ■ Type RFA

**RFA** - **030** - **G** - **10** - **B** - **G08** - **G42NO** - **D** - **O** - **L1** / **X**

① ② ③ ④ ⑤ ⑥ ⑦ ⑧ ⑨ ⑩ ⑪

## ① Type

Return-Line Filter **RFA**

## ② Group

**Flow** **Size**  
110 l/min / 30 US GPM **030**  
Note: Exact flow will depend on the selected filter element.  
For technical data please see page 83.

## ③ Filter Material

Material	Max. $\Delta p^*$ collapse	Micron ratings available	Code
Without filter element	-	-	<b>O</b>
Inorg. glass fibre	25 bar / 363 PSI	3, 5, 10, 20	<b>G</b>
Stainless fibre	30 bar / 435 PSI		<b>A</b>
Filter paper	10 bar / 145 PSI	10, 20	<b>N</b>
Stainless mesh	30 bar / 435 PSI	25, 50, 100, 200	<b>B, S</b>

Note: \*Collapse/burst resistance as per ISO 2941.  
Other materials on request.

## ④ Micron Rating

3 $\mu\text{m}$	<b>03</b>
5 $\mu\text{m}$	<b>05</b>
10 $\mu\text{m}$	<b>10</b>
20 $\mu\text{m}$	<b>20</b>
25 $\mu\text{m}$	<b>25</b>
50 $\mu\text{m}$	<b>50</b>
100 $\mu\text{m}$	<b>100</b>
200 $\mu\text{m}$	<b>200</b>

Note: Other micron ratings on request.

## ⑤ Sealing Material

NBR (Buna®) **B**  
FKM (Viton®) **V**  
EPDM **E**  
Note: Other sealing materials on request

## ⑥ Connection Style

Connection Style	Thread	Code
SAE-O-ring Thread	1-1/16-12	<b>U12</b>
SAE-O-ring Thread	3/4-16	<b>U08</b>
BSP	1/2	<b>G08</b>
BSP	3/4	<b>G12</b>

## ⑦ Clogging Indicator

Without Clogging Indicator **O**  
Visual Clogging Indicator **V**  
Electrical Clogging Switch 42 V, NO **G42NO**  
Electrical Clogging Switch 42 V, NC **G42NC**  
Electrical Clogging Switch 230 V, two-way contact (only for Code W) **G230**

## ⑧ Option Clogging Indicator G42NO, G42NC and G230

Plug connector **O**  
M12 x 1,5 **M12**  
AMP plug **A**  
Deutsch plug **D**  
Rubber boot **S**  
90 degree Polyamide cap (only for Code G230) **W**

## ⑨ Outlet Style

Connection Style	Thread	Code
	Without thread (Standard outlet)	<b>O</b>
SAE-O-Ring Thread	1-1/16-12	<b>U12</b>
SAE-O-Ring Thread	3/4-16	<b>U08</b>
BSP	1/2	<b>G08</b>
BSP	3/4	<b>G12</b>

## ⑩ Additional Features

	Position*		
Without leakage oil connection	-		<b>none</b>
Leakage oil connection	1	2	<b>L1</b>

Note: \*Position of the leakage oil connection see page 78.

Without any code: assembly in the middle of the filter cover.

## ⑪ Design Code

Only for information **X**

## Filter Elements ■ Type RE

**RE** - **030** - **G** - **10** - **B** / **X**

① ② ③ ④ ⑤ ⑥

## ① Type

Filter Element Series **RE**

## ② Group

According to filter housing

## ③ Filter Material

Material	Max. $\Delta p^*$ collapse	Micron ratings available	Code
Inorg. glass fibre	25 bar / 363 PSI	3, 5, 10, 20	<b>G</b>
Stainless fibre	30 bar / 435 PSI		<b>A</b>
Filter paper	10 bar / 145 PSI	10, 20	<b>N</b>
Stainless mesh	30 bar / 435 PSI	25, 50, 100, 200	<b>B, S</b>

Note: \*Collapse/burst resistance as per ISO 2941. Other materials on request.

## ④ Micron Rating

3 $\mu\text{m}$	<b>03</b>
5 $\mu\text{m}$	<b>05</b>
10 $\mu\text{m}$	<b>10</b>
20 $\mu\text{m}$	<b>20</b>
25 $\mu\text{m}$	<b>25</b>
50 $\mu\text{m}$	<b>50</b>
100 $\mu\text{m}$	<b>100</b>
200 $\mu\text{m}$	<b>200</b>

Note: Other micron ratings on request.

## ⑤ Sealing Materials

NBR (Buna®) **B**  
FKM (Viton®) **V**  
EPDM **E**  
Note: Other sealing materials on request.

## ⑥ Design Code

Only for information **X**



## Return-Line Filters ■ Type RFA

## Electrical Clogging Switch

The switch is used where an electrical signal is needed to indicate when the element needs to be changed. The switch can turn on a light, or shut the machine down, or any further function controlled by an electric signal. The switching pressure is 2,5 bar / 36.25 PSI and this allows the element to be changed before the bypass setting of 3 bar / 43.5 PSI is reached.

Standard type with plug connector and rubber cap. Available with DEUTSCH DT04-2P plug (industrial standard), AMP Junior Timer plug (industrial standard) and five-pin circular connector M12, A-coded, according to IEC 61076-2-101.

## Technical Data

	Limit-Switch G42NO+NC	Limit-Switch G230
Switching Capacity	100 VA	1000 VA
Voltage	10...42 VAC	10...250 VAC
Current		10mA...4A
Switching Accuracy		± 0,5 bar at room temp. and new state
Switching Frequency		200/min
max. Pressure Ramp Rate		≤ 1 bar/ms
Degree of Protection	IP65 (plug type S and W), IP67 (plug type M12, A, D)	
Temperature Range	-30°C ... +100°C	-40°C ... +100°C

## Order Code

**Limit-Switch - G42NO - S - M10 - B2.5**

①

②

③

④

⑤

## ① Type

Limit-Switch

## ② Connector Type

Electrical Clogging Switch 42 V, NO	<b>G42NO</b>
Electrical Clogging Switch 42 V, NC	<b>G42NC</b>
Electrical Clogging Switch 110 V ... 230 V, two-way contact (only for Plug Type W)	<b>G230</b>

## ③ Plug Type

M12 Five-Pin Connector according to IEC 61076-2-101	<b>M12</b>
AMP-Junior-Timer Plug	<b>A</b>
DEUTSCH Plug DT04-2P	<b>D</b>
Rubber boot	<b>S</b>
90 degree Polyamide cap (only for Connector Type G230)	<b>W</b>

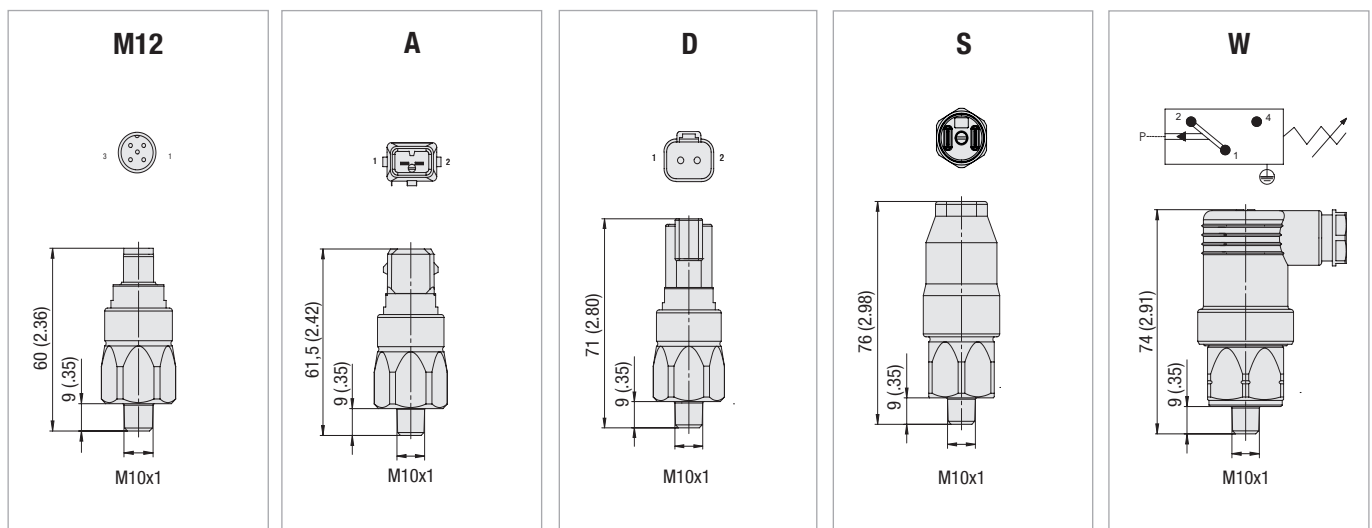
## ④ Thread Type

 M10 x 1 **M10**

## ⑤ Pressure Setting

 2,5 bar / 36.3 PSI **B2.5**

## Dimensions Plug Type



Note: The customer / user carries the responsibility for the electrical connection.

Dimensional drawings: All dimensions in mm/in.



## Return-Line Filters - Type RFA

### Visual Clogging Indicator

The gauge visually displays the degree of contamination of the element.  
The colored segments allow quick visual checking.

green	0 ... 2,5 bar / 0 ... 36.25 PSI	Element has service life left
yellow	2,5 ... 3,0 bar / 36.25 ... 43.5 PSI	Element is contaminated and should be changed
red	>3,0 bar / >43.5 PSI	Bypass valve open, unfiltered oil passing to tank

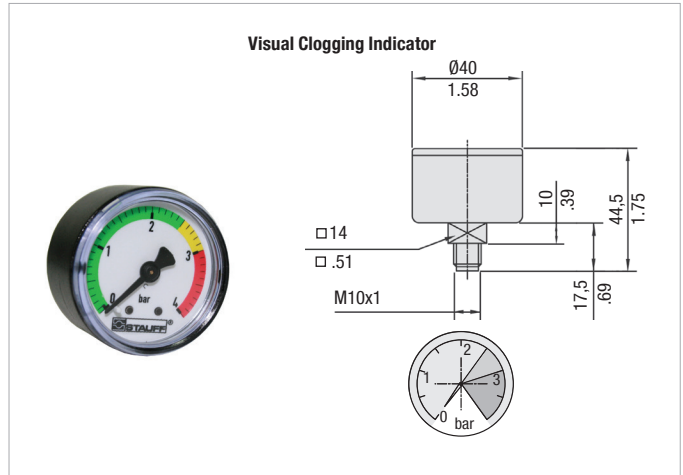
### Order Codes

**SPG-C-040-00004-02-P-M10-402922**

①

### ① Type

Visual Clogging Indicator **SPG-C-040-00004-02-P-M10-402922**



### Filter Bowl with Threaded Connection

Under some circumstances such as a tall reservoir or one with oil levels which vary greatly during operation, it is necessary to extend the filter bowl so that the returning oil returns beneath the surface and does not entrain air in the process. The optional bowl with a female thread allows an extension to be fitted quite simply. The one piece design also allows for inline applications.

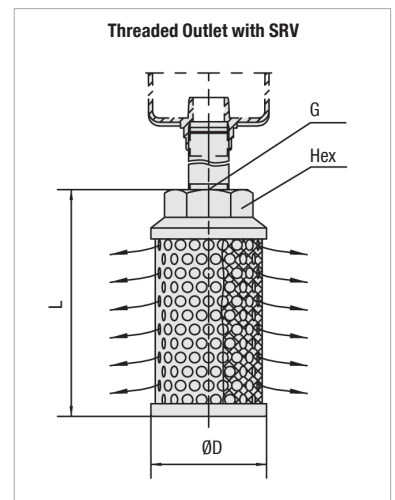
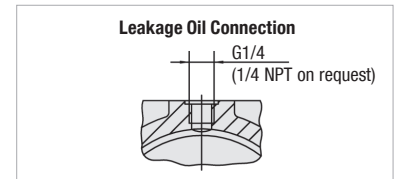
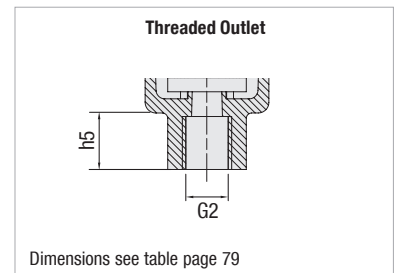
### Leakage Oil Connection

Seal or case drain lines can be connected to the filter through either of the clogging indicator ports providing that the leakage oil can accept a pressure of 3 bar / 43.5 PSI. It ensures that no unfiltered oil can return to the reservoir.

### Filter Bowl with Threaded Connection and Diffuser

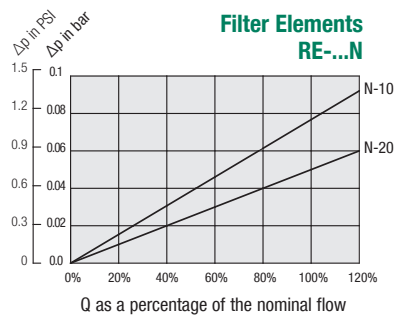
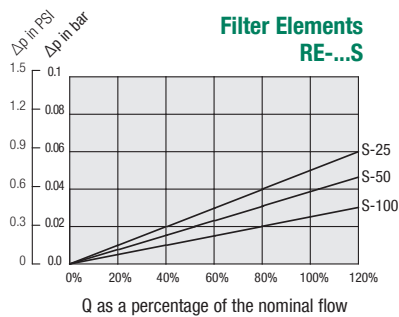
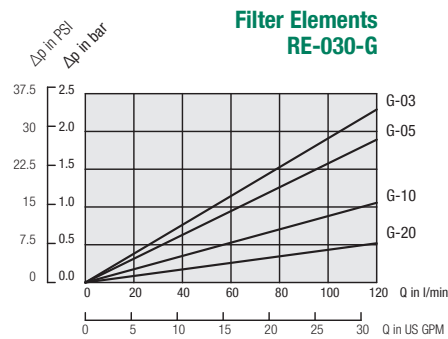
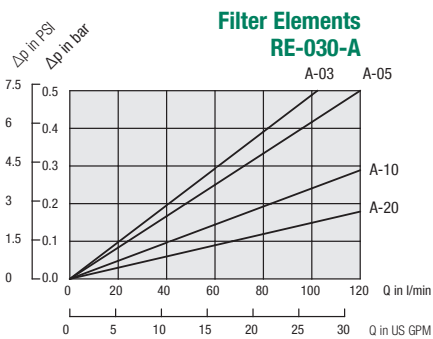
Diffusers mounted to the filter bowl minimise foaming and reduce noise of high Return-Line flows. For further details on STAUFF Diffusers please refer to the Catalogue No. 10 - Hydraulic Accessories.  
Attention: Connection pipe not included in scope of delivery!

Size SRV	for Return-Line Filter Size	Dimensions (mm/in)		Thread G	Hex
		øD	L		
SRV-050-G12	RFA-030	62	109	G3/4	36
SRV-050-N12		2.44	4.29	3/4 NPT	1.42



## Return-Line Filters ■ Type RFA Flow Characteristics

The following characteristics are valid for mineral oils with a density of 0,85 kg/dm<sup>3</sup> and the kinematic viscosity of 30 mm<sup>2</sup>/s (30cSt). The characteristics have been determined in accordance to ISO 3968. Multipass filter ratings have been obtained in accordance to ISO 16889. The housing pressure drop is directly proportional to the oil density. Contact STAUFF for details.



### Checklist for the selection of filter housings

Please use the following Checklist as a guideline when preparing an enquiry for the selection of filter housings. Scan or copy the page from the catalogue, print and com-

plete it with as much information as possible, before sending it by email or fax to the closest STAUFF branch office. If possible, please also let us know the quantities required,

and if the enquiry is for a one-time or recurring demand. We look forward to hearing from you, and are always available for consultation, when required.

D

**Information on the fluid in use**

**Type of fluid**  Brand  ISO designation

**Fluid viscosity**   mm<sup>2</sup>/sec  cSt

**Fluid temperature**  °C  °F  In cold condition  In warm condition

**Information on the filter housing**

**Position in the hydraulic system**  Suction line  Pressure line  Return line

**Operating pressure**   bar  PSI

**Nominal flow**   l/min  US GPM

**Valve**  No, not required  
 Yes, the following type:  Bypass valve  Non-return valve  Reverse flow valve  Multi-function valve

**Clogging indicator**  No, not required  
 Yes, the following type:  Visual  Electrical  Visual-electrical

**Connection type and size**

**Sealing material**  NBR (Buna®)  FKM (Viton®)  Other

**Information on the filter element**

**Filter media**  Inorganic Glass Fibre  Polyester Fibre  Cellulose Fibre  Stainless Fibre  Stainless Mesh

**Micron rating**  µm

**Cleanliness level**  (to ISO 4406)

**Information on the application**

**Information on the ambient conditions**

**Additional information and requirements**



## Return-Line Filters ▪ Type RFB


**Product Description**

STAUFF RFB Return-Line Filters are designed as tank top filters. They are mounted directly on the tank top and if 100% of the system oil is filtered they provide the optimum removal of contaminant from the system. This provides the pump with clean oil thus reducing contaminant generated wear. Because of its low weight and compact design, the STAUFF RFB Filters are ideally suited for mobile hydraulic applications. A high efficiency of contaminant removal is assured by using STAUFF RE Replacement Filter Elements. The high dirt-hold capacity of STAUFF Elements ensures a long service life and as a result reduced maintenance costs.

**Technical Data**
**Construction**

- Tank Top flange mounting

**Materials**

- Filter head: Aluminium
- Filter bowl & cap: Glass Fibre Reinforced Polyamide
- Sealings: NBR (Buna-N®)  
FKM (Viton®)  
EPDM (Ethylene Propylene Diene Monomer Rubber)  
Other sealing materials on request

**Port Connections**

- BSP
- NPT
- SAE O-ring thread

**Operating Pressure**

- Max. 10 bar / 145 PSI

**Temperature Range**

- -10 °C ... +100 °C / +14 °F ... +212 °F

**Filter Elements**

- Specifications see page 88

**Media Compatibility**

- Mineral oils, other fluids on request

**Options and Accessories**
**Valve**

- Bypass valve (integrated in the filter element) Opening pressure 3 bar ± 0,3 bar / 43.5 PSI ± 4.35 PSI  
Other settings available on request

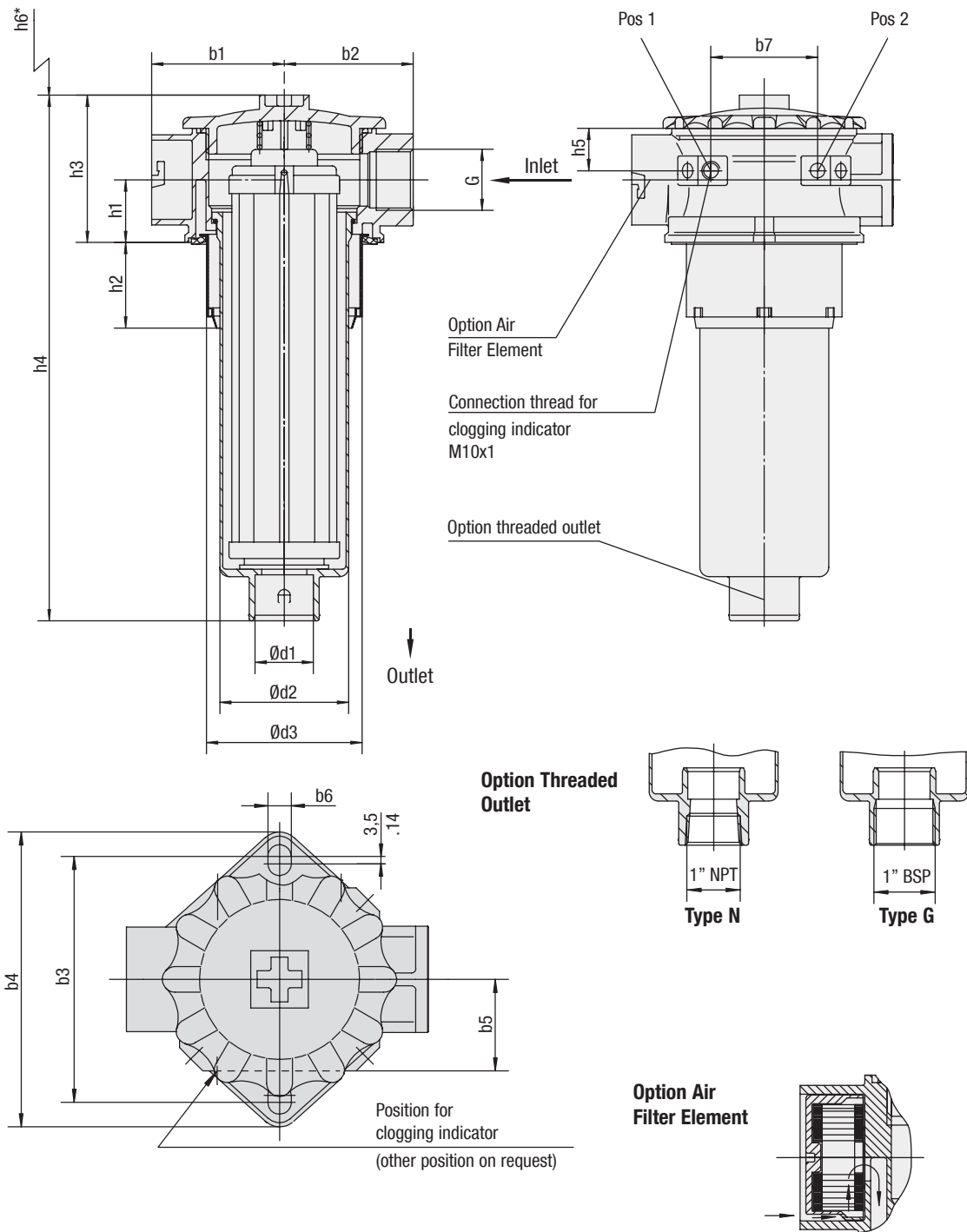
**Clogging Indicators**

- For clogging indicator types please see page 89



Return-Line Filters ▪ Type RFB

D



\* recommended space for element change



## Return-Line Filters ▪ Type RFB

Thread Connection G	Filter Size RFB					
	022		046		052	
BSP	3/4	1	3/4	1	3/4	1
NPT	3/4	1	3/4	1	3/4	1
SAE O-ring Thread	1-5/16-12					

Dimensions (mm/in)	Filter Size RFB		
	022	046	052
h1	34	34	34
	1.34	1.34	1.34
h2	46,5	46,5	46,5
	1.83	1.83	1.83
h3	80	80	80
	3.15	3.15	3.15
h4	205,5	285,5	351,5
	8.09	11.24	13.84
h5	23	23	23
	.91	.91	.91
h6	154	239	305
	6.26	9.41	12.01
d1	32	32	32
	1.26	1.26	1.26
d2	70	70	70
	2.76	2.76	2.76
d3	84,5	84,5	84,5
	3.33	3.33	3.33
b1	72	72	72
	2.84	2.84	2.84
b2	70	70	70
	2.76	2.76	2.76
b3	115,5	115,5	115,5
	4.55	4.55	4.55
b4	138,5	138,5	138,5
	5.45	5.45	5.45
b5	43	43	43
	1.69	1.69	1.69
b6	11	11	11
	.43	.43	.43
b7	58	58	58
	2.28	2.28	2.28

D



## Return-Line Filter Housings / Complete Filters ■ Type RFB

**RFB** - **022** - **G** - **10** - **B** - **G16** - **G42NO** - **D** - **G** - **L10** / **X**

① ② ③ ④ ⑤ ⑥ ⑦ ⑧ ⑨ ⑩ ⑪

## ① Type

Return-Line Filter **RFB**

## ② Group

Flow	Size
75 l/min / 22 US GPM	<b>022</b>
165 l/min / 46 US GPM	<b>046</b>
185 l/min / 52 US GPM	<b>052</b>

Note: Exact flow will depend on the selected filter element.  
For technical data please see page 91.

## ③ Filter Material

Material	Max. $\Delta p^*$ collapse	Micron ratings available	Code
Without filter element	-	-	<b>O</b>
Inorg. glass fibre	25 bar / 363 PSI	3, 5, 10, 20	<b>G</b>
Stainless fibre	30 bar / 435 PSI		<b>A</b>
Filter paper	10 bar / 145 PSI	10, 20	<b>N</b>
Stainless mesh	30 bar / 435 PSI	10, 25, 50, 100, 200	<b>S</b>

Note: \*Collapse/burst resistance as per ISO 2941.  
Other materials on request.

## ④ Micron Rating

3 $\mu$ m	<b>03</b>
5 $\mu$ m	<b>05</b>
10 $\mu$ m	<b>10</b>
20 $\mu$ m	<b>20</b>
25 $\mu$ m	<b>25</b>
50 $\mu$ m	<b>50</b>
100 $\mu$ m	<b>100</b>
200 $\mu$ m	<b>200</b>

Note: Other micron ratings on request.

## ⑤ Sealing Material

NBR (Buna®)	<b>B</b>
FKM (Viton®)	<b>V</b>
EPDM	<b>E</b>

Note: Other sealing materials on request.

## ⑥ Connection Style

Connection Style		Code
BSP	1	<b>G16</b>
BSP	3/4	<b>G12</b>
NPT	1	<b>N16</b>
NPT	3/4	<b>N12</b>
SAE-O-ring Thread	1-5/16-12	<b>U16</b>

Note: Bold types identify preferred connection style.

## ⑦ Clogging Indicator

Without Clogging Indicator	<b>O</b>
Visual Clogging Indicator	<b>V</b>
Electrical Clogging Switch 42 V, NO	<b>G42NO</b>
Electrical Clogging Switch 42 V, NC	<b>G42NC</b>
Electrical Clogging Switch 110 V ... 230 V, two-way contact (only for Code W)	<b>G230</b>

## ⑧ Option Clogging Indicator G42NO, G42NC and G230

Plug connector	<b>O</b>
M12 x 1,5	<b>M12</b>
AMP plug	<b>A</b>
Deutsch plug	<b>D</b>
Rubber boot	<b>S</b>
90 degree Polyamide cap (only for Code G230)	<b>W</b>

## ⑨ Outlet Style

With 1" BSP thread	<b>G16</b>
With 1" NPT thread	<b>N16</b>

## ⑩ Air Filter Element

Without Air Filter Element	<b>none</b>
Filter paper 10 micron	<b>L10</b>

Note: Other materials and micron ratings on request.

## ⑪ Design Code

Only for information	<b>X</b>
----------------------	----------

## Filter Elements ■ Type RE

**RE** - **022** - **G** - **10** - **B** / **X**

① ② ③ ④ ⑤ ⑥

## ① Type

Filter Element Series **RE**

## ② Group

According to filter housing

## ③ Filter Material

Material	Max. $\Delta p^*$ collapse	Micron ratings available	Code
Inorg. glass fibre	25 bar / 363 PSI	3, 5, 10, 20	<b>G</b>
Stainless fibre	30 bar / 435 PSI		<b>A</b>
Filter paper	10 bar / 145 PSI	10, 20	<b>N</b>
Stainless mesh	30 bar / 435 PSI	25, 50, 100, 200	<b>S</b>

Note: \*Collapse/burst resistance as per ISO 2941.  
Other materials on request.

## ④ Micron Rating

3 $\mu$ m	<b>03</b>
5 $\mu$ m	<b>05</b>
10 $\mu$ m	<b>10</b>
20 $\mu$ m	<b>20</b>
25 $\mu$ m	<b>25</b>
50 $\mu$ m	<b>50</b>
100 $\mu$ m	<b>100</b>
200 $\mu$ m	<b>200</b>

Note: Other micron ratings on request.

## ⑤ Sealing Material

NBR (Buna®)	<b>B</b>
FKM (Viton®)	<b>V</b>
EPDM	<b>E</b>

Note: Other sealing material on request.

## ⑥ Design Code

Only for information	<b>X</b>
----------------------	----------

## Air Filter Elements ■ Type REA

**REA** - **046** - **L** - **10** - **B** / **X**

① ② ③ ④ ⑤ ⑥

## ① Type

Air Filter Element **REA**

## ② Group

Air filter for RFB-022/046/052 **046**

## ③ Filter Material

Filter Paper	<b>L</b>
--------------	----------

Note: Other materials on request.

## ④ Micron Rating

10 $\mu$ m	<b>10</b>
------------	-----------

Note: Other micron ratings on request.

## ⑤ Sealing Material

NBR (Buna®)	<b>B</b>
-------------	----------

Note: Other sealing materials on request.

## ⑥ Design Code

Only for information	<b>X</b>
----------------------	----------





## Return-Line Filters ■ Type RFB

## Electrical Clogging Switch

The switch is used where an electrical signal is needed to indicate when the element needs to be changed. The switch can turn on a light, or shut the machine down, or any further function controlled by an electric signal. The switching pressure is 2,5 bar / 36.25 PSI and this allows the element to be changed before the bypass setting of 3 bar / 43.5 PSI is reached.

Standard type with plug connector and rubber cap. Available with DEUTSCH DT04-2P plug (industrial standard), AMP Junior Timer plug (industrial standard) and five-pin circular connector M12, A-coded, according to IEC 61076-2-101.

## Technical Data

	Limit-Switch G42NO+NC	Limit-Switch G230
Switching Capacity	100 VA	1000 VA
Voltage	10...42 VAC	10...250 VAC
Current		10mA...4A
Switching Accuracy		± 0,5 bar at room temp. and new state
Switching Frequency		200/min
max. Pressure Ramp Rate		≤ 1 bar/ms
Degree of Protection		IP65 (plug type S and W), IP67 (plug type M12, A, D)
Temperature Range	-30°C ... +100°C	-40°C ... +100°C

## Order Code

**Limit-Switch - G42NO - S - M10 - B2.5**

①

②

③

④

⑤

## ① Type

Limit-Switch

## ② Connector Type

Electrical Clogging Switch 42 V, NO	<b>G42NO</b>
Electrical Clogging Switch 42 V, NC	<b>G42NC</b>
Electrical Clogging Switch 110 V ... 230 V, two-way contact (only for Plug Type W)	<b>G230</b>

## ③ Plug Type

M12 Five-Pin Connector according to IEC 61076-2-101	<b>M12</b>
AMP-Junior-Timer Plug	<b>A</b>
DEUTSCH Plug DT04-2P	<b>D</b>
Rubber boot	<b>S</b>
90 degree Polyamide cap (only for Connector Type G230)	<b>W</b>

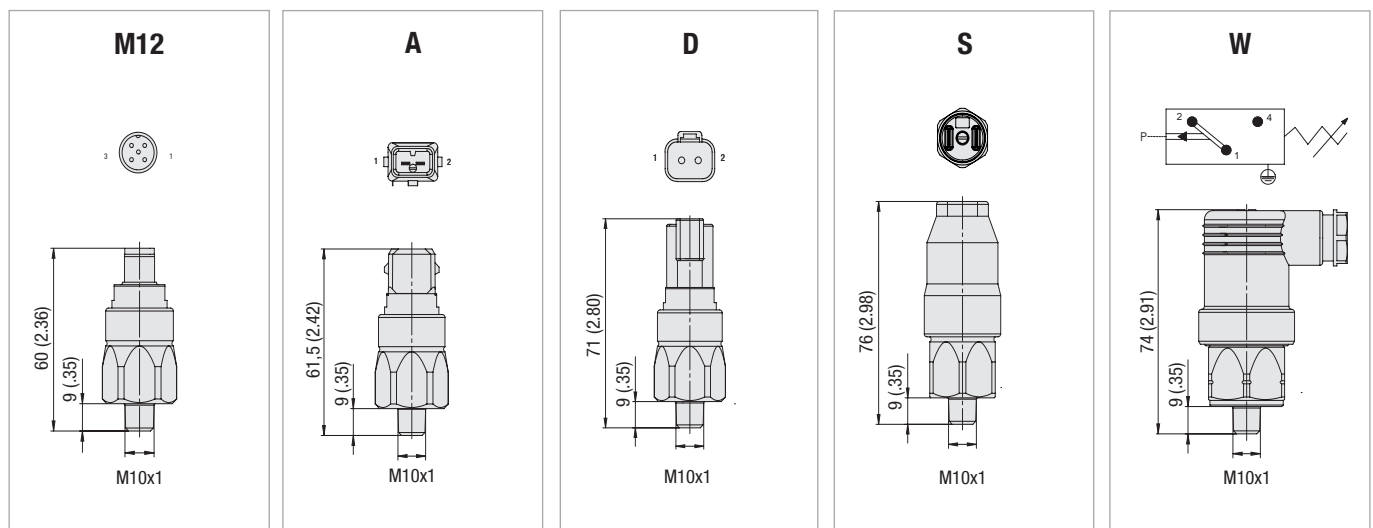
## ④ Thread Type

 M10 x 1 **M10**

## ⑤ Pressure Setting

 2,5 bar / 36.3 PSI **B2.5**

## Dimensions Plug Type



Note: The customer / user carries the responsibility for the electrical connection.

Dimensional drawings: All dimensions in mm/in.



## Return-Line Filters - Type RFB

### Visual Clogging Indicator

The gauge visually displays the degree of contamination of the element.  
The colored segments allow quick visual checking.

green	0 ... 2,5 bar / 0 ... 36.25 PSI	Element has service life left
yellow	2,5 ... 3,0 bar / 36.25 ... 43.5 PSI	Element is contaminated and should be changed
red	>3,0 bar / >43.5 PSI	Bypass valve open, unfiltered oil passing to tank

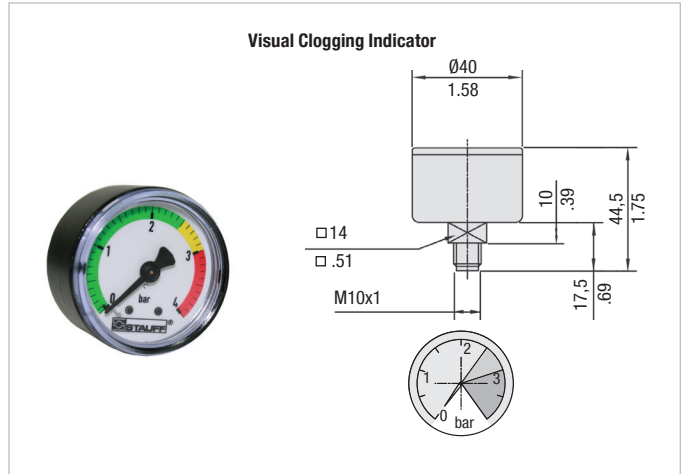
### Order Codes

**SPG-C-040-00004-02-P-M10-402922**



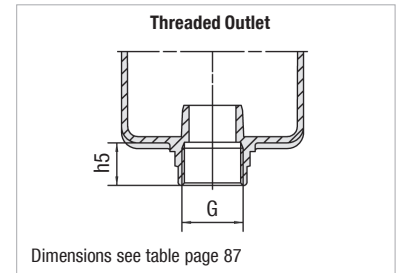
#### ① Type

Visual Clogging Indicator **SPG-C-040-00004-02-P-M10-402922**



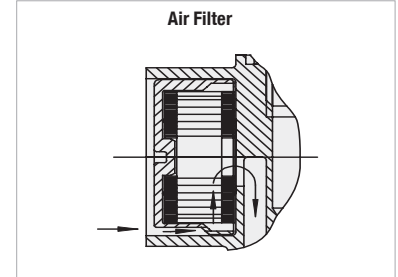
### Filter Bowl with Threaded Connection

Under some circumstances such as a tall reservoir or one with oil levels which vary greatly during operation, it is necessary to extend the filter bowl so that the returning oil returns beneath the surface and does not entrain air in the process. The bowl with a female thread allows an extension to be fitted quite simply.



### Air Filter Element

Allows an effective filtration of the incoming air which avoids the infiltration of dirt particles into the hydraulic system. The standard air filter element is a 10 micron cellulose; other materials and micron ratings on request.



### Order Code

**REA-046-L-10-B**



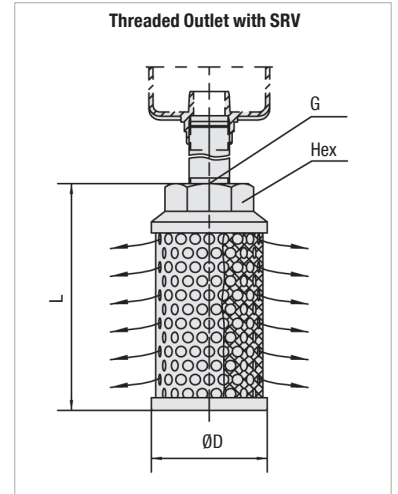
#### ① Type

Air Filter Element **REA-046-L-10-B**

### Filter Bowl with Threaded Connection and Diffuser

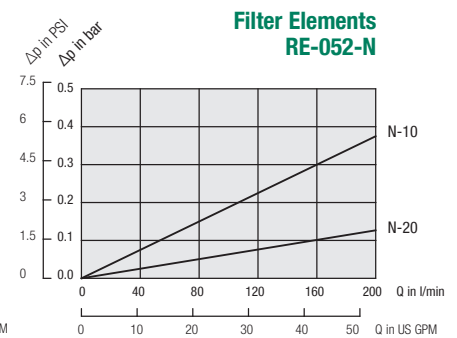
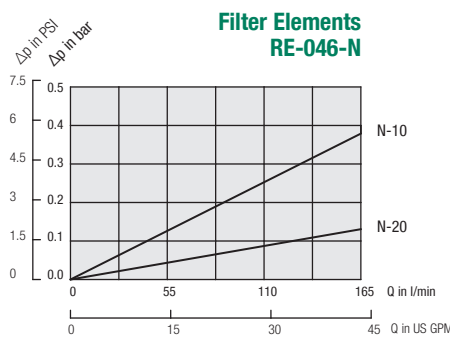
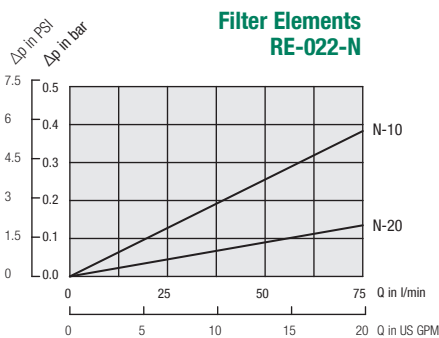
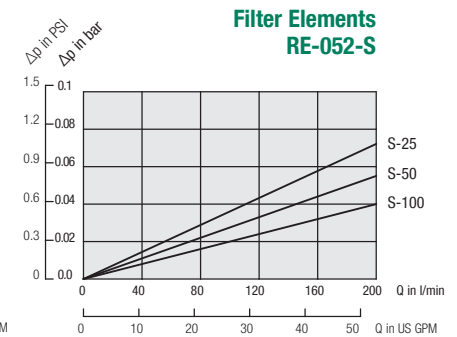
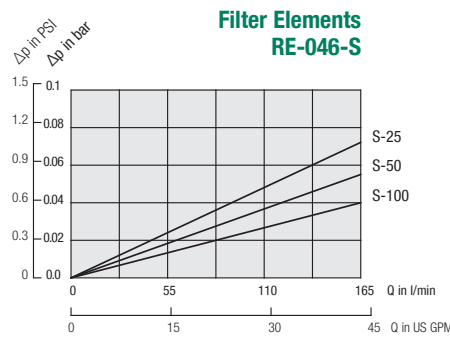
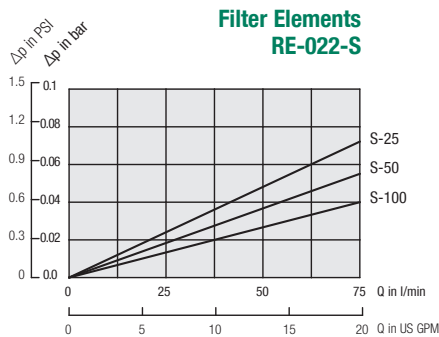
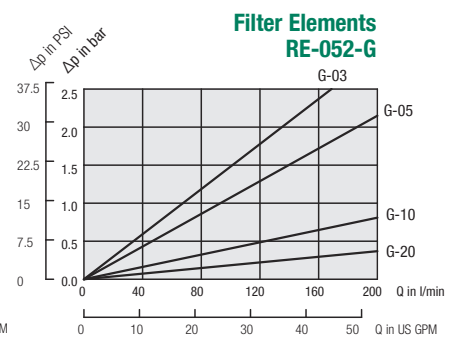
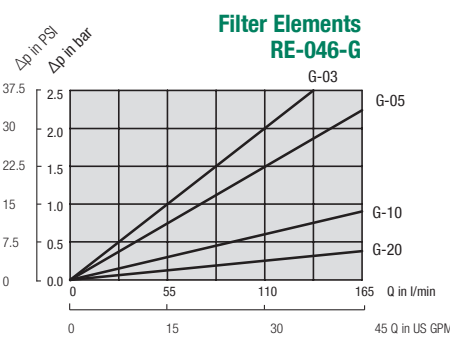
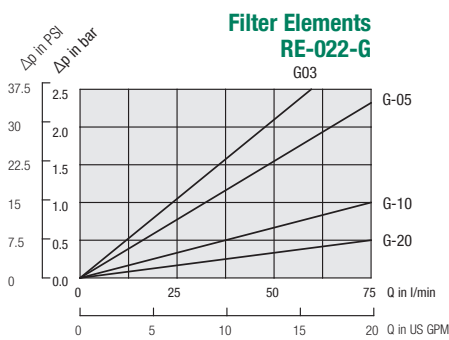
Diffusers mounted to the filter bowl minimise foaming and reduce noise of high Return-Line flows. For further details on STAUFF Diffusers please refer to the Catalogue No. 10 - Hydraulic Accessories. Attention: Connection pipe not included in scope of delivery!

Size SRV	for Return-Line Filter Size	Dimensions (mm/in)		Thread G	Hex
		øD	L		
SRV-114-G16	RFB-022/046/052	60	139	G1	46
SRV-114-N16		2.36	5.47	1 NPT	1.81



Return-Line Filters ■ Type RFB Flow Characteristics

The following characteristics are valid for mineral oils with a density of 0,85 kg/dm<sup>3</sup> and the kinematic viscosity of 30 mm<sup>2</sup>/s (30cSt). The characteristics have been determined in accordance to ISO 3968. Multipass filter ratings have been obtained in accordance to ISO 16889. The housing pressure drop is directly proportional to the oil density. Contact STAUFF for details.



### Checklist for the selection of filter housings

Please use the following Checklist as a guideline when preparing an enquiry for the selection of filter housings. Scan or copy the page from the catalogue, print and com-

plete it with as much information as possible, before sending it by email or fax to the closest STAUFF branch office. If possible, please also let us know the quantities required,

and if the enquiry is for a one-time or recurring demand. We look forward to hearing from you, and are always available for consultation, when required.

D

<b>Information on the fluid in use</b>					
<b>Type of fluid</b>	<input type="text"/>	Brand	<input type="text"/>	ISO designation	
<b>Fluid viscosity</b>	<input type="text"/>	<input type="checkbox"/>	mm <sup>2</sup> /sec	<input type="checkbox"/>	cSt
<b>Fluid temperature</b>	<input type="text"/>	°C	<input type="checkbox"/>	°F	<input type="text"/>
			<input type="checkbox"/>	In cold condition	<input type="text"/>
					<input type="checkbox"/>
				In warm condition	
<b>Information on the filter housing</b>					
<b>Position in the hydraulic system</b>	<input type="checkbox"/>	Suction line	<input type="checkbox"/>	Pressure line	<input type="checkbox"/>
					Return line
<b>Operating pressure</b>	<input type="text"/>	<input type="checkbox"/>	bar	<input type="checkbox"/>	PSI
<b>Nominal flow</b>	<input type="text"/>	<input type="checkbox"/>	l/min	<input type="checkbox"/>	US GPM
<b>Valve</b>	<input type="checkbox"/>	No, not required			
	<input type="checkbox"/>	Yes, the following type:			
		<input type="checkbox"/>	Bypass valve	<input type="checkbox"/>	Non-return valve
				<input type="checkbox"/>	Reverse flow valve
				<input type="checkbox"/>	Multi-function valve
<b>Clogging indicator</b>	<input type="checkbox"/>	No, not required			
	<input type="checkbox"/>	Yes, the following type:			
		<input type="checkbox"/>	Visual	<input type="checkbox"/>	Electrical
				<input type="checkbox"/>	Visual-electrical
<b>Connection type and size</b>	<input type="text"/>				
<b>Sealing material</b>	<input type="checkbox"/>	NBR (Buna®)	<input type="checkbox"/>	FKM (Viton®)	<input type="text"/>
					Other
<b>Information on the filter element</b>					
<b>Filter media</b>	<input type="checkbox"/>	Inorganic Glass Fibre	<input type="checkbox"/>	Polyester Fibre	<input type="checkbox"/>
			<input type="checkbox"/>	Cellulose Fibre	<input type="checkbox"/>
				<input type="checkbox"/>	Stainless Fibre
				<input type="checkbox"/>	Stainless Mesh
<b>Micron rating</b>	<input type="text"/>	µm			
<b>Cleanliness level</b>	<input type="text"/>	(to ISO 4406)			
<b>Information on the application</b>	<input type="text"/>				
<b>Information on the ambient conditions</b>	<input type="text"/>				
<b>Additional information and requirements</b>	<input type="text"/>				



## Return-Line Filters ■ Type RFS / RFS-D



D

**Product Description**

STAUFF RFS and RFS-D Carbon Steel Return-Line Filters are designed as tank top or in-line filters. They are mounted directly on the tank top and if 100% of the system oil is filtered, they provide the optimum removal of contaminants from the system. This provides the pump with clean oil thus reducing contaminant generated wear. The filter bowl is designed with a connection, threaded or flanged, for extending the return oil beneath the surface thus preventing the entrainment of air. A high efficiency of contaminant removal is assured by using STAUFF RE Replacement Filter Elements. The high dirt-hold capacity of STAUFF Elements ensures a long service life and as a result reduced maintenance costs.

**Technical Data**
**Construction**

- Tank Top mounting or in-line mounting

**Materials**

- Filter Housing: Carbon Steel
- Sealings: NBR (Buna-N®)  
FKM (Viton®)  
EPDM (Ethylene Propylene Diene Monomer Rubber)  
Other sealing materials on request

**Port Connections**

- BSP
- SAE flange 3000 PSI

**Flow Rating**

- Up to 1135 l/min / 300 US GPM

**Operating Pressure**

- Max. 25 bar / 365 PSI

**Proof Pressure**

- Min. 37,5 bar / 545 PSI

**Temperature Range**

- -10°C ... +100°C / +14°F ... +212°F

**Filter Elements**

- Specifications see page 98

**Media Compatibility**

- Mineral oils, other fluids on request

**Options and Accessories**
**Valve**

- Bypass valve (integrated in the filter element) Opening pressure 3 bar  $\pm$  0,3 bar / 43.5 PSI  $\pm$  4.35 PSI  
Other settings available on request

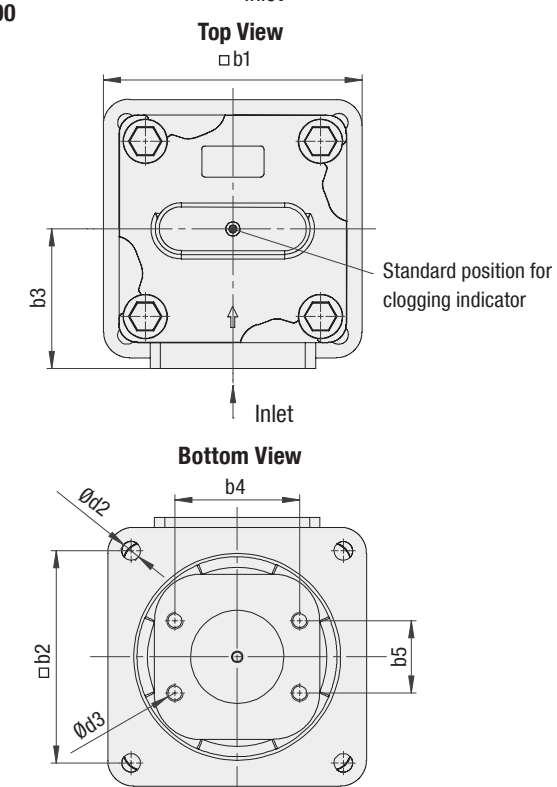
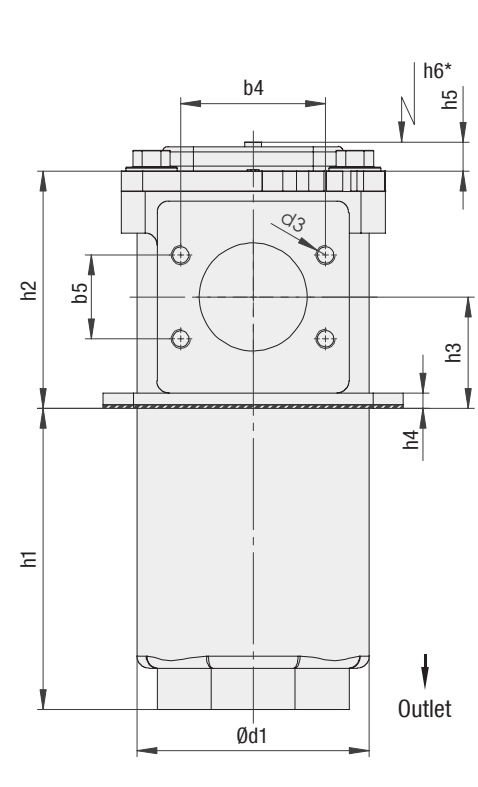
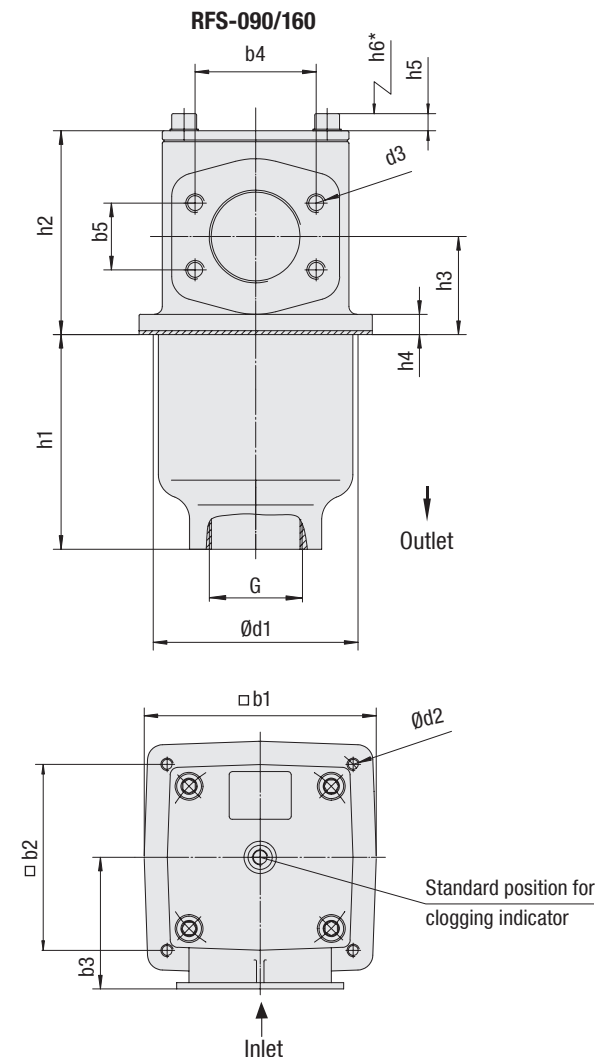
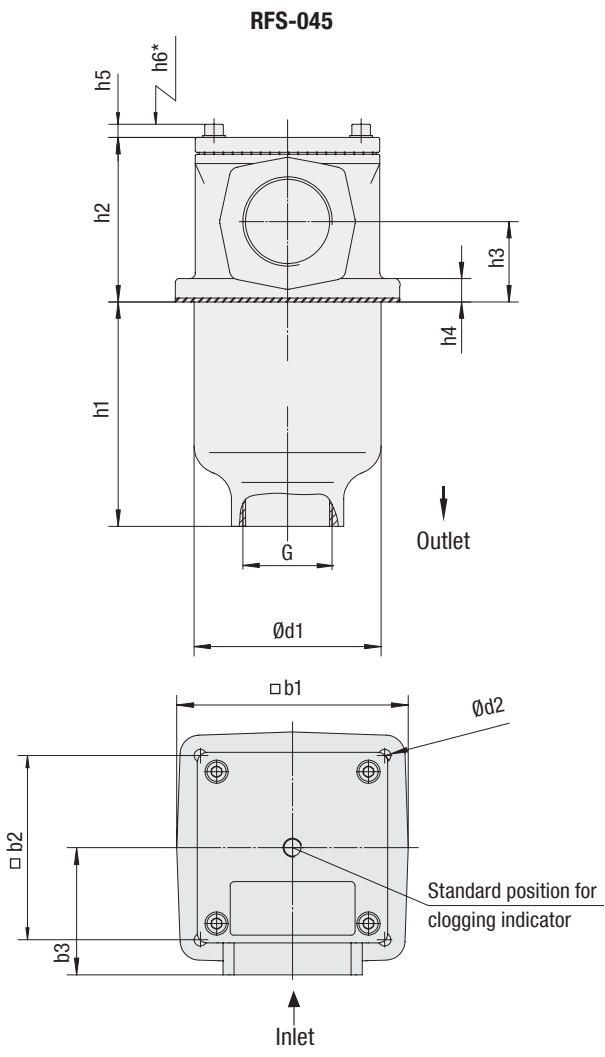
**Clogging Indicators**

- For clogging indicator types please see page 99



Return-Line Filters ■ Type RFS

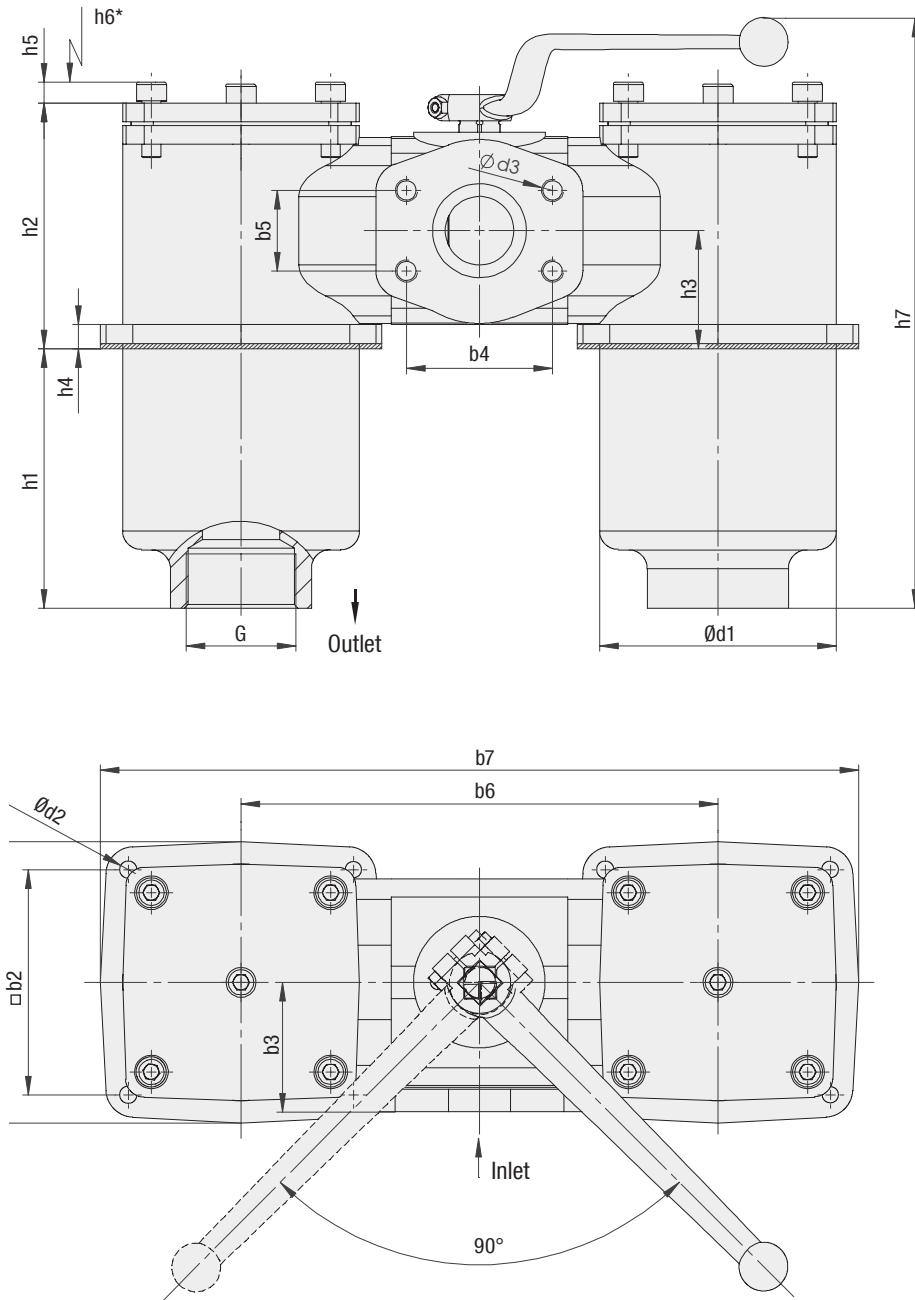
D



\* recommended space for element change



RFS-D-090/160



D

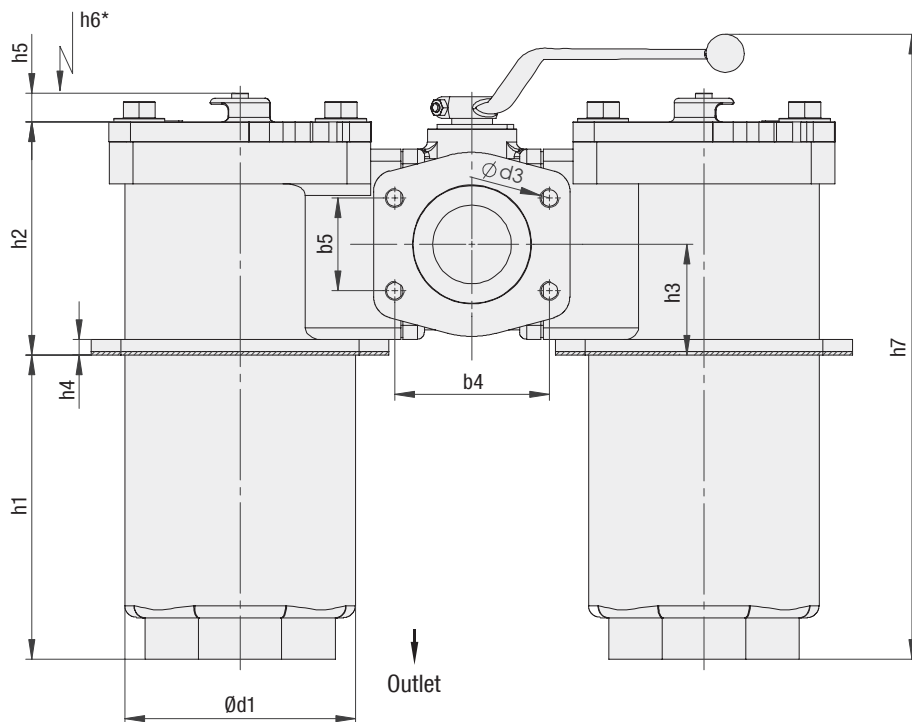
\* recommended space for element change



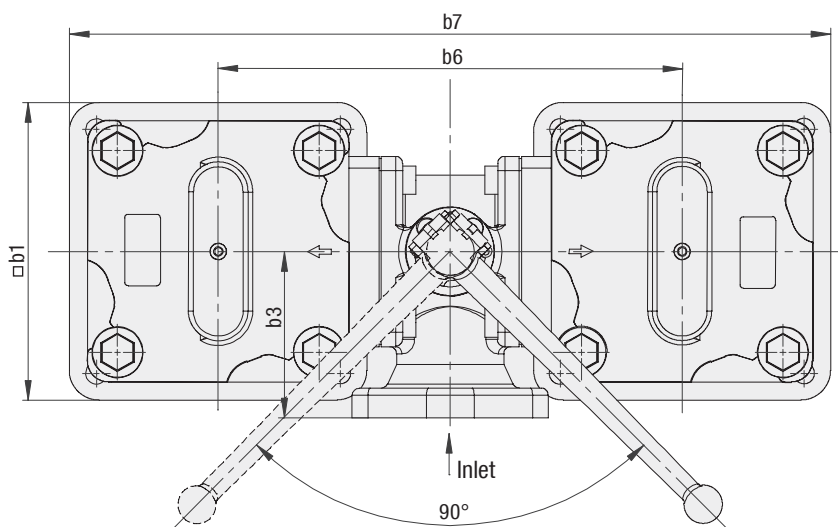
Return-Line Filters ■ Type RFS-D

D

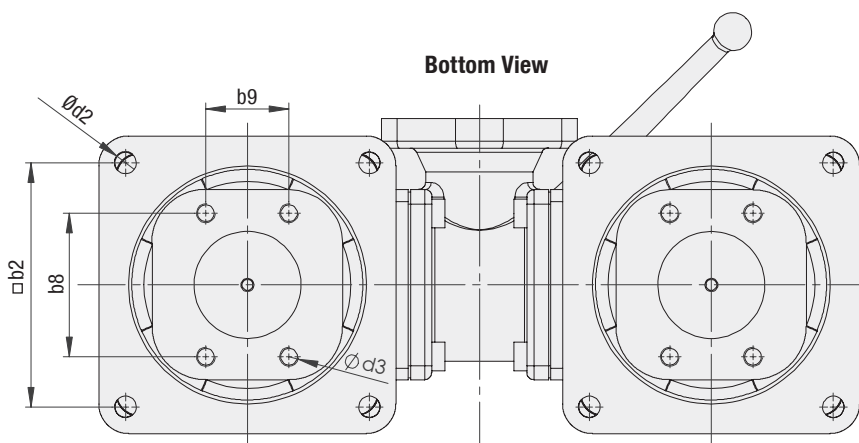
RFS-D-250/300



Top View



Bottom View



\* recommended space for element change





**Return-Line Filters ■ Type RFS / RFS-D**

Thread Connection		Filter Size								
		RFS-045	RFS-090	RFS-D-090	RFS-160	RFS-D-160	RFS-250	RFS-D-250	RFS-300	RFS-D-300
Inlet	BSP	1-1/4	2	2	-	-	-	-	-	-
	SAE Flange	-	2	2	3	3	3-1/2	4	4	4
Outlet G	BSP	1-1/4	2	2	3	3	-	-	-	-
	SAE Flange	-	-	-	-	-	3-1/2	3-1/2	4	4

Dimensions (mm/in)	Filter Size								
	RFS-045	RFS-090	RFS-D-090	RFS-160	RFS-D-160	RFS-250	RFS-D-250	RFS-300	RFS-D-300
b1	120	150	150	196	196	255	255	255	255
	4.72	5.91	5.91	7.72	7.72	10.04	10.04	10.04	10.04
b2	95,5	120	120	155,5	155,5	205	205	205	205
	3.76	4.72	4.72	6.12	6.12	8.07	8.07	8.07	8.07
b3	66	85	69	110	100	135	140	145	140
	2.60	3.35	2.72	4.33	3.94	5.32	5.51	5.71	5.51
b4	-	77,8	77,8	106,4	106,4	120,7	130,2	130,2	130,2
	-	3.06	3.06	4.19	4.19	4.75	5.13	5.13	5.13
b5	-	42,9	42,9	61,9	61,9	69,5	77,8	77,8	77,8
	-	1.69	1.69	2.44	2.44	2.74	3.06	3.06	3.06
b6	-	-	254	-	330	-	390	-	410
	-	-	10	-	12.99	-	15.15	-	16.14
b7	-	-	404	-	525	-	640	-	660
	-	-	15.91	-	20.67	-	25.20	-	25.98
b8	-	-	-	-	-	-	120,7	-	130,2
	-	-	-	-	-	-	4.75	-	5.13
b9	-	-	-	-	-	-	69,5	-	77,8
	-	-	-	-	-	-	2.74	-	3.06
d1	100	126	126	166	166	194	194	194	194
	3.94	4.96	4.96	6.54	6.54	7.64	7.64	7.64	7.64
d2	6,5	9	9	13,5	13,5	17,5	17,5	17,5	17,5
	.26	.35	.35	.53	.53	.69	.69	.69	.69
d3	-	M12	M12	M16	M16	M16	M16	M16	M16
	-	1/2-UNC	1/2-UNC	5/8-UNC	5/8-UNC	5/8 UNC	5/8 UNC	5/8 UNC	5/8 UNC
h1	120	138	138	243	243	251	251	332	332
	4.72	5.43	5.43	9.57	9.57	9.88	9.88	13.07	13.07
h2	88	131	131	167	167	198	198	241	241
	3.47	5.16	5.16	6.57	6.57	7.80	7.80	9.49	9.49
h3	43	63	63	84	84	93	93	121	121
	1.69	2.48	2.48	3.31	3.31	3.66	3.66	4.76	4.76
h4	13	13	13	13	13	13	13	13	13
	.51	.51	.51	.51	.51	.51	.51	.51	.51
h5	7	12	12	12	12	24	24	24	24
	.28	.47	.47	.47	.47	.95	.95	.95	.95
h6	130	180	180	320	320	350	350	460	460
	5.11	7.09	7.09	12.60	12.60	13.78	13.78	18.11	18.11
h7	-	-	314	-	450	-	525	-	630
	-	-	12.36	-	17.72	-	20.67	-	24.80

**D**


## Return-Line Filter Housings / Complete Filters ■ Type RFS / RFS-D

**RFS - 045 - G - 10 - B - G20 - G42NO - D - G20 / X**

① ② ③ ④ ⑤ ⑥ ⑦ ⑧ ⑨ ⑩

## ① Type

Single Carbon Steel Return-Line Filter	<b>RFS</b>
Double Carbon Steel Return-Line Filter	<b>RFS-D</b>

## ② Group

Flow	Size
170 l/min / 45 US GPM (not for RFS-D)	<b>045</b>
340 l/min / 90 US GPM	<b>090</b>
600 l/min / 160 US GPM	<b>160</b>
945 l/min / 250 US GPM	<b>250</b>
1135 l/min / 300 US GPM	<b>300</b>

Note: Exact flow will depend on the selected filter element.  
For technical data please see pages 101 / 102.

## ③ Filter Material

Material	Max. $\Delta p^*$ collapse	Micron ratings available	Code
Without filter element	-	-	<b>O</b>
Inorg. glass fibre	25 bar / 363 PSI	3, 5, 10, 20	<b>G</b>
Stainless fibre	30 bar / 435 PSI		<b>A</b>
Filter paper	10 bar / 145 PSI	10, 20	<b>N</b>
Stainless mesh	30 bar / 435 PSI	25, 50, 100, 200	<b>S</b>

Note: \*Collapse/burst resistance as per ISO 2941.  
Other materials on request.

## ④ Micron Rating

3 $\mu$ m	<b>03</b>
5 $\mu$ m	<b>05</b>
10 $\mu$ m	<b>10</b>
20 $\mu$ m	<b>20</b>
25 $\mu$ m	<b>25</b>
50 $\mu$ m	<b>50</b>
100 $\mu$ m	<b>100</b>
200 $\mu$ m	<b>200</b>

Note: Other micron ratings on request.

## ⑤ Sealing Material

NBR (Buna®)	<b>B</b>
FKM (Viton®)	<b>V</b>
EPDM	<b>E</b>

Note: Other sealing materials on request.

## ⑩ Design Code

Only for information **X**

## ⑥ Connection Style

Connection Style	Thread Style	Group 045	Code	Group 090	Code	Group 160	Code	Group 250	Code	Group 250* / 300	Code
BSP	-	1-1/4	<b>G20</b>	2	<b>G32</b>	-	-	-	-	-	-
SAE Flange 3000 PSI	metric	-	-	2	<b>C332M</b>	3	<b>C348M</b>	3-1/2	<b>C356M</b>	4	<b>C364M</b>
SAE Flange 3000 PSI	UNC	-	-	2	<b>C332U</b>	3	<b>C348U</b>	3-1/2	<b>C356U</b>	4	<b>C364U</b>

\* Note: Only for RFS-D-250.

## ⑦ Clogging Indicator

Without Clogging Indicator	<b>O</b>
Visual Clogging Indicator	<b>V</b>
Electrical Clogging Switch 42 V, NO	<b>G42NO</b>
Electrical Clogging Switch 42 V, NC	<b>G42NC</b>
Electrical Clogging Switch 110 V ... 230 V, two-way contact (only for Code W)	<b>G230</b>

## ⑧ Option Clogging Indicator G42NO, G42NC and G230

Plug connector	<b>O</b>
M12 x 1,5	<b>M12</b>
AMP plug	<b>A</b>
Deutsch plug	<b>D</b>
Rubber boot	<b>S</b>
90 degree Polyamide cap (only for Code G230)	<b>W</b>

## ⑨ Outlet Style

Connection Style	Thread Style	Group 045	Code	Group 090	Code	Group 160	Code	Group 250	Code	Group 300	Code
BSP	-	1-1/4	<b>G20</b>	2	<b>G32</b>	3	<b>G48</b>	-	-	-	-
SAE Flange 3000 PSI	metric	-	-	-	-	-	-	3-1/2	<b>C356M</b>	4	<b>C364M</b>
SAE Flange 3000 PSI	UNC	-	-	-	-	-	-	3-1/2	<b>C356U</b>	4	<b>C364U</b>

## Filter Elements ■ Type RE

**RE - 045 - G - 10 - B / X**

① ② ③ ④ ⑤ ⑥

## ① Type

Filter Element Series	<b>RE</b>
-----------------------	-----------

## ② Group

According to filter housing

## ③ Filter Material

Material	Max. $\Delta p^*$ collapse	Micron ratings available	Code
Inorg. glass fibre	25 bar / 363 PSI	3, 5, 10, 20	<b>G</b>
Stainless fibre	30 bar / 435 PSI		<b>A</b>
Filter paper	10 bar / 145 PSI	10, 20	<b>N</b>
Stainless mesh	30 bar / 435 PSI	25, 50, 100, 200	<b>S</b>

Note: \*Collapse/burst resistance as per ISO 2941.  
Other materials on request.

## ④ Micron Rating

3 $\mu$ m	<b>03</b>
5 $\mu$ m	<b>05</b>
10 $\mu$ m	<b>10</b>
20 $\mu$ m	<b>20</b>
25 $\mu$ m	<b>25</b>
50 $\mu$ m	<b>50</b>
100 $\mu$ m	<b>100</b>
200 $\mu$ m	<b>200</b>

Note: Other micron ratings on request.

## ⑤ Sealing Material

NBR (Buna®)	<b>B</b>
FKM (Viton®)	<b>V</b>
EPDM	<b>E</b>

Note: Other sealing materials on request.

## ⑥ Design Code

Only for information **X**



## Return-Line Filters ■ Type RFS / RFS-D

## Electrical Clogging Switch

The switch is used where an electrical signal is needed to indicate when the element needs to be changed. The switch can turn on a light, or shut the machine down, or any further function controlled by an electric signal. The switching pressure is 2,5 bar / 36.25 PSI and this allows the element to be changed before the bypass setting of 3 bar / 43.5 PSI is reached.

Standard type with plug connector and rubber cap. Available with DEUTSCH DT04-2P plug (industrial standard), AMP Junior Timer plug (industrial standard) and five-pin circular connector M12, A-coded, according to IEC 61076-2-101.

## Technical Data

	Limit-Switch G42NO+NC	Limit-Switch G230
Switching Capacity	100 VA	1000 VA
Voltage	10...42 VAC	10...250 VAC
Current		10mA...4A
Switching Accuracy		± 0,5 bar at room temp. and new state
Switching Frequency		200/min
max. Pressure Ramp Rate		≤ 1 bar/ms
Degree of Protection	IP65 (plug type S and W), IP67 (plug type M12, A, D)	
Temperature Range	-30°C ... +100°C	-40°C ... +100°C

## Order Code

**Limit-Switch - G42NO - S - M10 - B2.5**

①

②

③

④

⑤

## ① Type

Limit-Switch

## ② Connector Type

Electrical Clogging Switch 42 V, NO	<b>G42NO</b>
Electrical Clogging Switch 42 V, NC	<b>G42NC</b>
Electrical Clogging Switch 110 V ... 230 V, two-way contact (only for Plug Type W)	<b>G230</b>

## ③ Plug Type

M12 Five-Pin Connector according to IEC 61076-2-101	<b>M12</b>
AMP-Junior-Timer Plug	<b>A</b>
DEUTSCH Plug DT04-2P	<b>D</b>
Rubber boot	<b>S</b>
90 degree Polyamide cap (only for Connector Type G230)	<b>W</b>

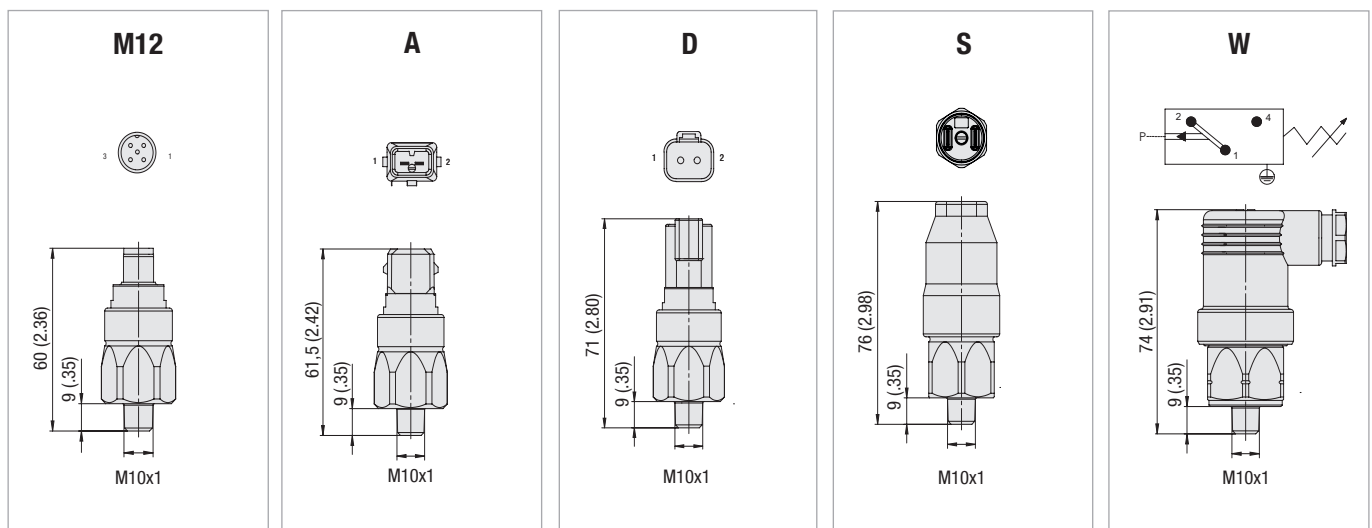
## ④ Thread Type

 M10 x 1 **M10**

## ⑤ Pressure Setting

 2,5 bar / 36.3 PSI **B2.5**

## Dimensions Plug Type



Note: The customer / user carries the responsibility for the electrical connection.



## Return-Line Filters ▪ Type RFS / RFS-D

### Visual Clogging Indicator

The gauge visually displays the degree of contamination of the element.  
The colored segments allow quick visual checking.

green	0 ... 2,5 bar / 0 ... 36.25 PSI	Element has service life left
yellow	2,5 ... 3,0 bar / 36.25 ... 43.5 PSI	Element is contaminated and should be changed
red	>3,0 bar / >43.5 PSI	Bypass valve open, unfiltered oil passing to tank

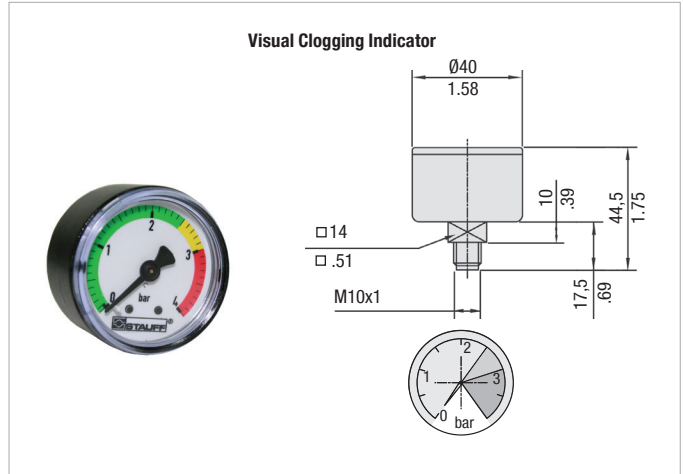
### Order Codes

**SPG-C-040-00004-02-P-M10-402922**

①

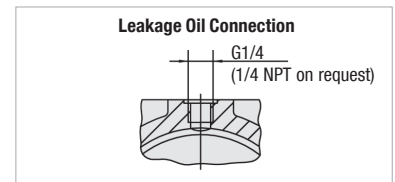
#### ① Type

Visual Clogging Indicator **SPG-C-040-00004-02-P-M10-402922**



### Leakage Oil Connection

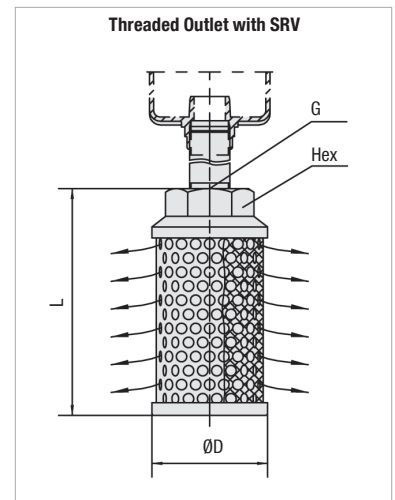
Seal or case drain lines can be connected to the filter through either of the clogging indicator ports providing that the leakage oil can accept a pressure of 3 bar / 43.5 PSI. It ensures that no unfiltered oil can return to the reservoir.



### Filter Bowl with Threaded Connection and Diffuser

Diffusers mounted to the filter bowl minimise foaming and reduce noise of high Return-Line flows. For further details on STAUFF Diffusers please refer to the Catalogue No. 10 - Hydraulic Accessories.  
Attention: Connection pipe not included in scope of delivery!

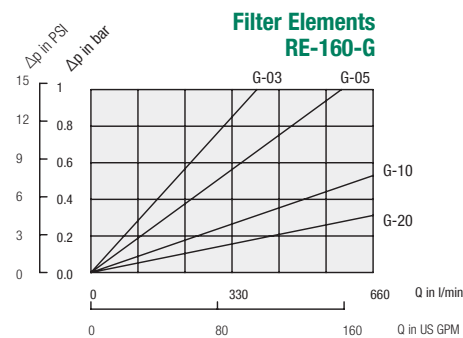
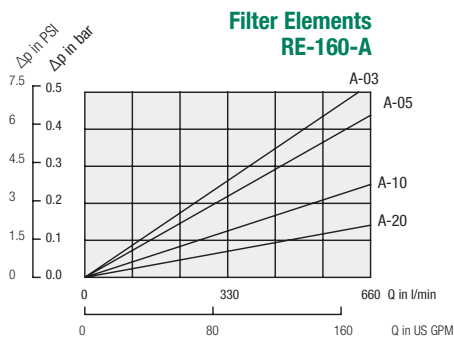
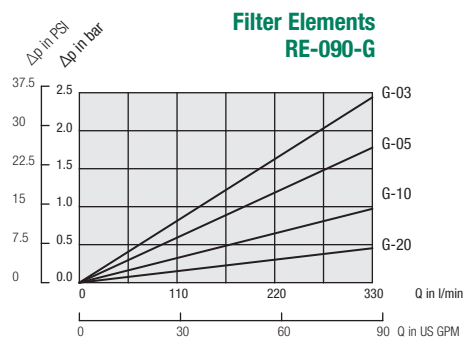
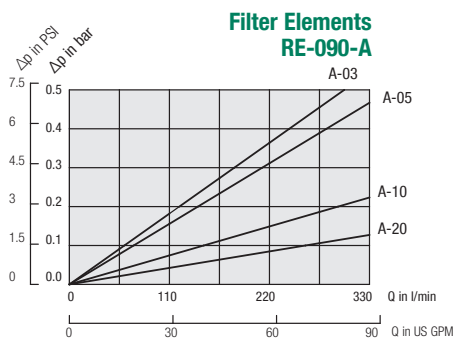
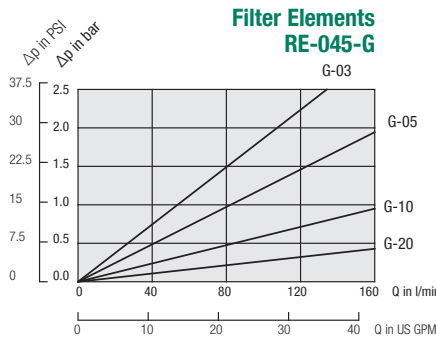
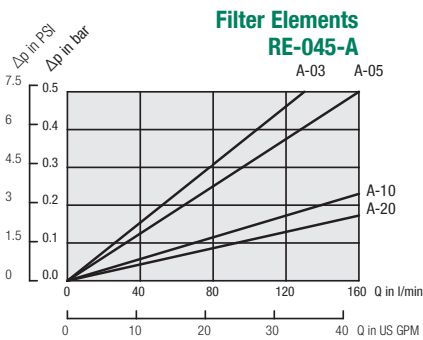
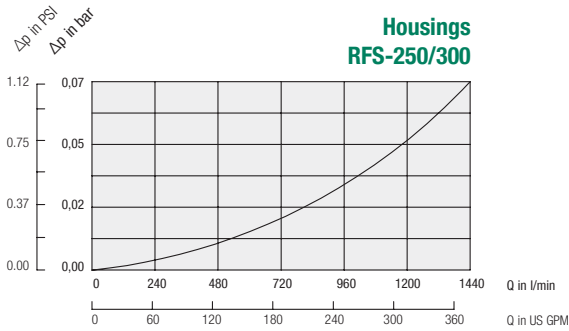
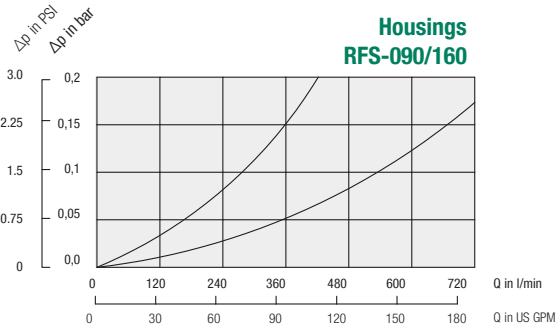
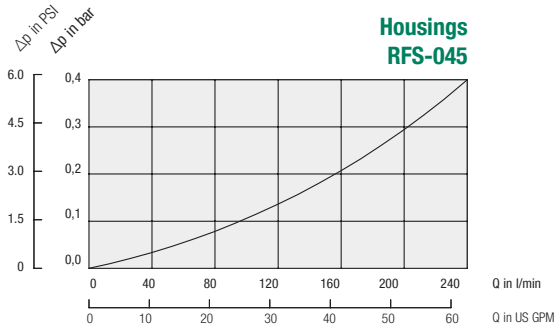
Size SRV	for Return-Line Filter Size	Dimensions (mm/in)		Thread G	Hex
		øD	L		
SRV-227-G24	RFS-250	84	200	G1-1/2	60
SRV-227-N24		3.31	7.87	1-1/2 NPT	2.36
SRV-454-G32	RFS-250	84	260	G2	70
SRV-454-N32		3.31	10.24	2 NPT	2.76
SRV-950-G24	RFS-250	148	272	G3	100
SRV-950-N24		5.83	10.71	3 NPT	3.94



Return-Line Filters ■ Type RFS Flow Characteristics

The following characteristics are valid for mineral oils with a density of 0,85 kg/dm<sup>3</sup> and the kinematic viscosity of 30 mm<sup>2</sup>/s (30cSt). The characteristics have been determined in accordance to ISO 3968. Multipass filter ratings have been obtained in accordance to ISO 16889. The housing pressure drop is directly proportional to the oil density. Contact STAUFF for details.

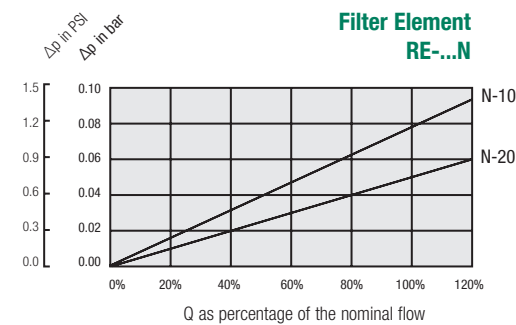
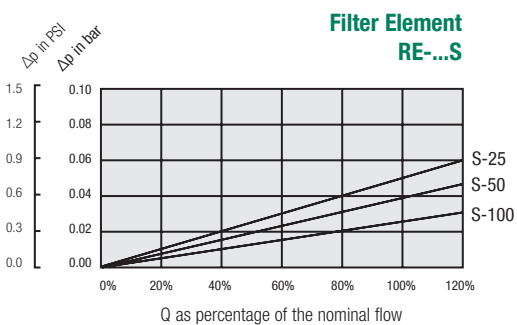
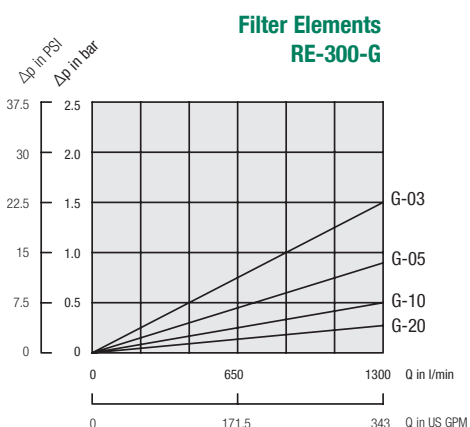
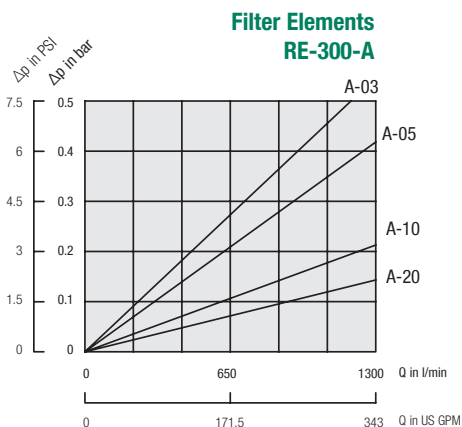
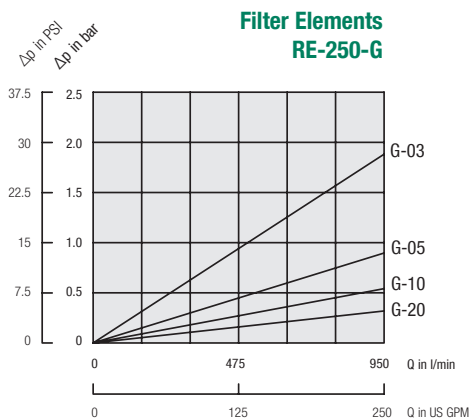
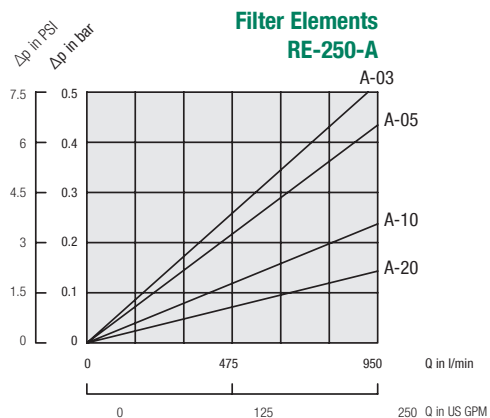
D



### Return-Line Filters - Type RFS Flow Characteristics

The following characteristics are valid for mineral oils with a density of 0,85 kg/dm<sup>3</sup> and the kinematic viscosity of 30 mm<sup>2</sup>/s (30cSt). The characteristics have been determined in accordance to ISO 3968. Multipass filter ratings have been obtained in accordance to ISO 16889. The housing pressure drop is directly proportional to the oil density. Contact STAUFF for details.

D



## Return-Line Filters ■ Type RTF-10/15/25



D

**Product Description**

STAUFF RTF-10/15/25 Return-Line Filters are designed as tank top filters with a maximum operating pressure of 3,4 bar / 49 PSI.

**Technical Data**
**Construction**

- Tank Top flange mounting

**Materials**

- Filter head: Aluminium
- Filter bowl: Polyamide
- Sealings: NBR (Buna-N®)  
FKM (Viton®)  
Other sealing materials on request

**Port Connections**

- BSP
- NPT
- SAE O-ring thread

**Flow Rating**

- Up to 95 l/min / 25 US GPM

**Operating Pressure**

- Max. 3,4 bar / 49 PSI

**Burst Pressure**

- Min. 10 bar / 145 PSI

**Temperature Range**

- -25 °C ... +95 °C / -13 °F ... +203 °F

**Filter Elements**

- Specifications see page 106

**Media Compatibility**

- Mineral oils, other fluids on request

**Options and Accessories**
**Valve**

- Bypass valve: Opening pressure 1,7 bar / 25 PSI  
(integrated in the filter element) Other settings available on request

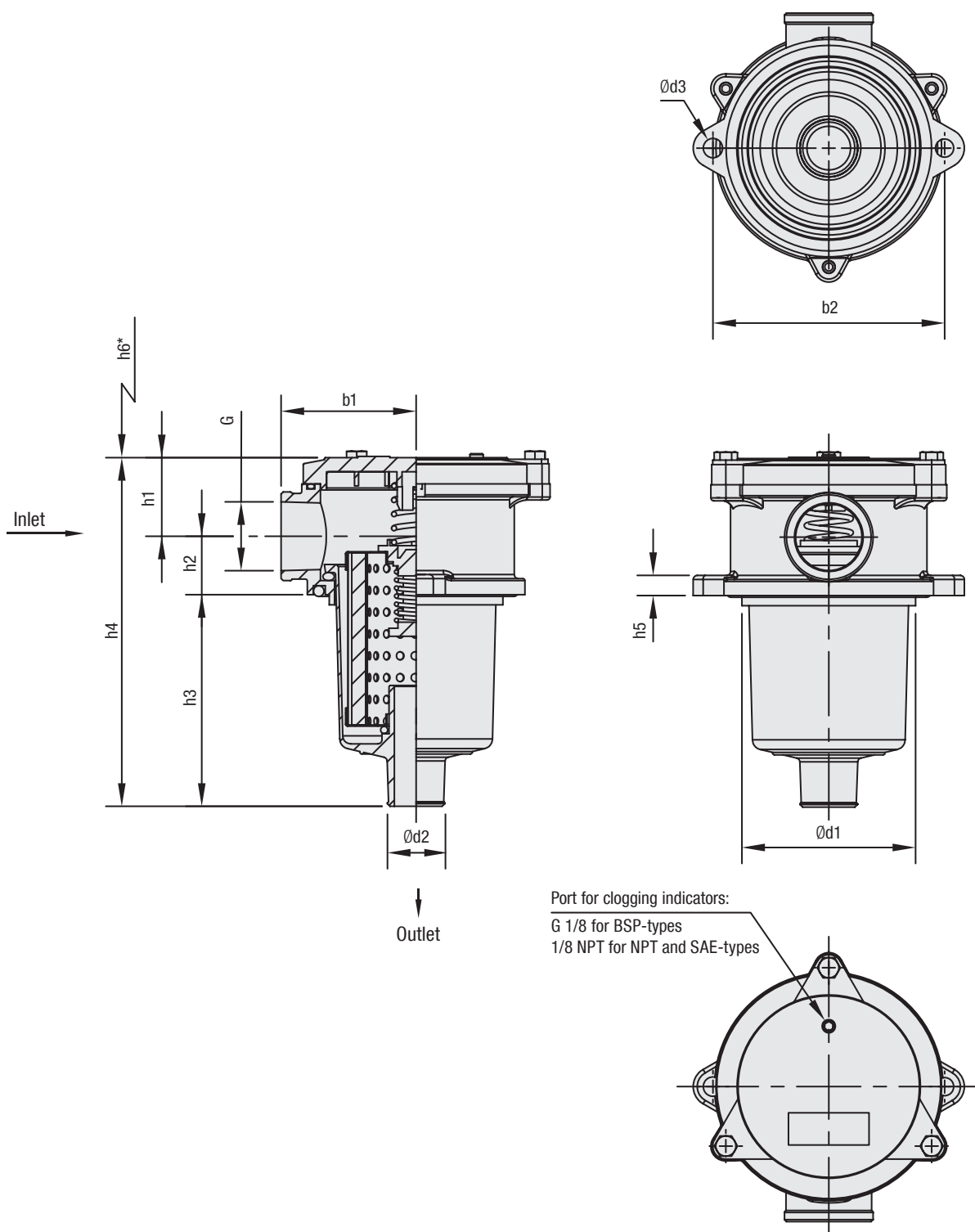
**Clogging Indicators**

- For clogging indicator types please see page 125



Return-Line Filters ▪ Type RTF-10/15/25

D



\* recommended space for element change





## Return-Line Filters ■ Type RTF-10/15/25

Thread Connection G	Filter Size RTF		
	10	15	25
BSP	1/2	1	1
NPT	1/2	1	1
SAE O-ring	-	1-5/16-12	1-5/16-12

Dimensions (mm/in)	Filter Size RTF		
	10	15	25
h1	26	34	34
	1.02	1.34	1.34
h2	21	29	29
	.83	1.14	1.14
h3	85	103	151
	3.34	4.05	5.95
h4	129	166	212
	5.07	6.53	8.35
h5	8	10	10
	.32	.39	.39
h6	110	130	175
	4.33	5.12	6.89
b1	50	67	67
	1.97	2.64	2.64
b2	90	115	115
	3.54	4.52	4.52
d1	66	86	86
	2.60	3.39	3.39
d2	24	28	28
	.94	1.10	1.10
d3	7	9	9
	.28	.35	.35
Weight (kg/lbs)	0,45	0,9	1
	1	2	2.2

D



## Return-Line Filter Housings / Complete Filters ■ Type RTF-10/15/25

**RTF** - **25** - **D** - **10** - **B** - **G16** - **V** / **X**

① ② ③ ④ ⑤ ⑥ ⑦ ⑧

## ① Type

Return-Line Filter **RTF**

## ② Group

Flow	Size
38 l/min / 10 US GPM	<b>10</b>
57 l/min / 15 US GPM	<b>15</b>
95 l/min / 25 US GPM	<b>25</b>

Note: Exact flow will depend on the selected filter element.  
For technical data please see pages 123 / 124.

## ③ Filter Material

Material	Max. $\Delta p^*$ collapse	Micron ratings available	Code
Without filter element	-	-	<b>0</b>
Inorg. glass fibre	3 bar / 43.5 PSI	10, 25	<b>G</b>
Filter paper	3 bar / 43.5 PSI	10, 25	<b>D</b>

\*Note: Collapse/burst resistance as per ISO 2941  
Other materials on request

## ④ Micron Rating

10 $\mu$ m	<b>10</b>
25 $\mu$ m	<b>25</b>

Note: Other micron ratings on request

## ⑤ Sealing Material

NBR (Buna®) **B**  
FKM (Viton®) **V**  
Note: Other sealing materials on request

## ⑥ Connection Style

Connection Style	Group 10	Code	Group 25 and 15	Code
BSP	1/2	<b>G08</b>	1	<b>G16</b>
NPT	1/2	<b>N08</b>	1	<b>N16</b>
SAE O-ring Thread	-	-	1-5/16-12	<b>U16</b>

## ⑦ Clogging Indicator

Without clogging indicator **0**  
Visual clogging indicator **V**  
Electrical clogging indicator **E**  
Note: See page 125 for more details on indicator ports and types.

## ⑧ Design Code

Only for information **X**

## Filter Elements ■ Type RTE

**RTE** - **25** - **D** - **10** - **B** / **X**

① ② ③ ④ ⑤ ⑥

## ① Type

Filter Element Series **RTE**

## ② Group

According to filter housing

## ③ Filter Material

Material	Max. $\Delta p^*$ collapse	Micron ratings available	Code
Inorg. glass fibre	3 bar / 43.5 PSI	10, 25	<b>G</b>
Filter paper	3 bar / 43.5 PSI	10, 25	<b>D</b>

\* Note: Collapse/burst resistance as per ISO 2941  
Other materials on request

## ④ Micron Rating

10 $\mu$ m	<b>10</b>
25 $\mu$ m	<b>25</b>

Note: Other micron ratings on request

## ⑤ Sealing Material

NBR (Buna®) **B**  
FKM (Viton®) **V**  
Note: Other sealing materials on request

## ⑥ Design Code

Only for information **X**



## Return-Line Filters ■ Type RTF-20



D

**Product Description**

STAUFF RTF-20 Return-Line Filters are designed as tank top filters with a maximum operating pressure of 10 bar / 145 PSI and flow rates up to 115 l/min / 30 US GPM. The filter bowl is designed to return the oil beneath the surface thus preventing entrainment of air. RTF-20 series compact design and integral breather make them ideal for mobile hydraulic applications.

**Technical Data**
**Construction**

- Tank Top flange mounting

**Materials**

- Filter head: Aluminium
- Filter bowl & cap: Polyamide
- Sealings: NBR (Buna-N®)  
FKM (Viton®)  
Other sealing materials on request

**Port Connections**

- BSP
- NPT
- SAE O-ring thread

**Flow Rating**

- Up to 115 l/min / 30 US GPM

**Operating Pressure**

- Max. 10 bar / 145 PSI

**Burst Pressure**

- Min. 30 bar / 435 PSI

**Temperature Range**

- -25 °C ...+95 °C / -13 °F ... +203 °F

**Integrated Breather**

- Filter paper 10 µm
- Filter paper 40 µm

**Filter Elements**

- Specifications see page 110

**Media Compatibility**

- Mineral oils, other fluids on request

**Options and Accessories**
**Valve**

- Bypass valve: Opening pressure 1,7 bar / 25 PSI  
(integrated in the filter element) Other settings available on request

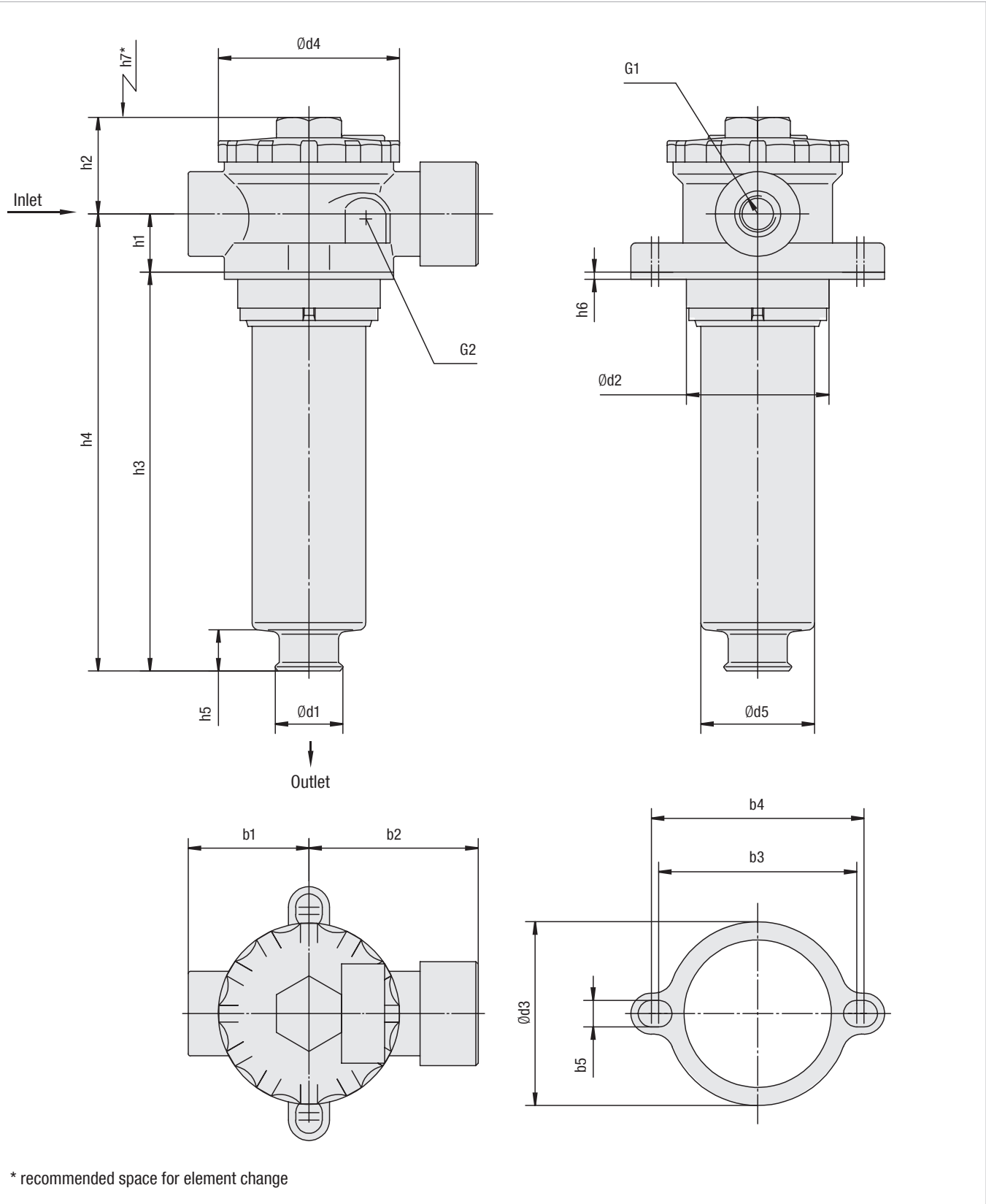
**Clogging Indicators**

- For clogging indicator types please see page 125



Return-Line Filters ■ Type RTF-20

D



## Return-Line Filters ■ Type RTF-20

Thread Connection G1	Filter Size RTF 020	
BSP	1/2	3/4
NPT	1/2	3/4
SAE Thread	3/4-16	1-1/16

Dimensions (mm/in)	Filter Size RTF 020	
b1	50	
	1.97	
b2	70	
	2.76	
b3	82	
	3.23	
b4	88	
	3.46	
b5	11	
	.43	
d1	28	
	1.10	
d2*	Min. 60 / Max. 63	
	Min. 2.36 / Max. 2.48	
d3	77	
	3.03	
d4	75	
	2.95	
d5	48	
	1.89	
h1	24	
	.94	
h2	37,5	
	1.48	
h3	178	
	7.01	
h4	202	
	7.95	
h5	16	
	.63	
h6	2	
	.07	
h7	210	
	8.27	
G2	G1/8 or 1/8 NPT	

\* recommended diameter for mounting hole

D



## Return-Line Filter Housings / Complete Filters ■ Type RTF-20

RTF - 20 - D - 10 - B - G08 - V - L10 - D / X

① ② ③ ④ ⑤ ⑥ ⑦ ⑧ ⑨ ⑩

## ① Type

Return-Line Filter **RTF**

## ② Group

Flow **Size**  
115 l/min / 30 US GPM **20**Note: Exact flow will depend on the selected filter element.  
For technical data please see pages 123 / 124..

## ③ Filter Material

Material	Max. $\Delta p^*$ collapse	Micron ratings available	Code
Without filter element	-	-	<b>0</b>
Inorg. glass fibre	25 bar / 363 PSI	10, 20	<b>G</b>
Filter paper	10 bar / 145 PSI	10	<b>D</b>

\*Note: Collapse/burst resistance as per ISO 2941  
Other materials on request

## ④ Micron Rating

10  $\mu\text{m}$  **10**  
20  $\mu\text{m}$  **20**

Note: Other micron ratings on request

## ⑤ Sealing Material

NBR (Buna®) **B**  
FKM (Viton®) **V**

Note: Other sealing materials on request

## ⑥ Connection Style

Connection Style	Thread	Code
BSP	1/2	<b>G08</b>
BSP	3/4	<b>G12</b>
NPT	1/2	<b>N08</b>
NPT	3/4	<b>N12</b>
SAE O-ring Thread	3/4-16	<b>U08</b>
SAE O-ring Thread	1-1/16-12	<b>U12</b>

## ⑦ Clogging Indicator

No clogging indicator **0**  
Visual clogging indicator **V**  
Electrical clogging indicator **E**

Note: See page 125 for more details on indicator ports and types.

## ⑧ Breather

10  $\mu\text{m}$  Filter Paper **L10**  
40  $\mu\text{m}$  Filter Paper **L40**

## ⑨ Dipstick

Without dipstick (standard) **none**  
With dipstick **D**

## ⑩ Design Code

Only for information **X**

## Filter Elements ■ Type RTE

RTE - 20 - D - 10 - B / X

① ② ③ ④ ⑤ ⑥

## ① Type

Filter Element Series **RTE**

## ② Group

According to filter housing

## ③ Filter Material

Material	Max. $\Delta p^*$ collapse	Micron ratings available	Code
Inorg. glass fibre	25 bar / 363 PSI	10, 20	<b>G</b>
Filter paper	10 bar / 145 PSI	10	<b>D</b>

\*Note: Collapse/burst resistance as per ISO 2941  
Other materials on request

## ④ Micron Rating

10  $\mu\text{m}$  **10**  
20  $\mu\text{m}$  **20**

Note: Other micron ratings on request

## ⑤ Sealing Material

NBR (Buna®) **B**  
FKM (Viton®) **V**

Note: Other sealing materials on request

## ⑥ Design Code

Only for information **X**

## Air Filter Elements ■ Type RTEA

RTEA - 020 - L - 10 - B / X

① ② ③ ④ ⑤ ⑥

## ① Type

Air Filter Element Series **RTEA**

## ② Group

Air filter for RTF-20

## ③ Filter Material

Filter Paper **L**  
Note: Other materials on request

## ④ Micron Rating

10  $\mu\text{m}$  **10**  
Note: Other micron ratings on request

## ⑤ Sealing Material

NBR (Buna®) **B**  
Note: Other sealing materials on request

## ⑥ Design Code

Only for information **X**

## Return-Line Filters ■ Type RTF-40



D

**Product Description**

STAUFF RTF-40 Return-Line Filters are designed as tank top filters with a maximum operating pressure of 6,9 bar / 100 PSI. The filter bowl is designed to return the oil beneath the surface thus preventing entrainment of air.

**Technical Data**
**Construction**

- Tank Top flange mounting

**Materials**

- Filter head: Aluminium
- Filter bowl: Bowl length 1: Polyamide  
Bowl length 2: Steel
- Sealings: NBR (Buna-N®)  
Other sealing materials on request

**Port Connections**

- BSP
- NPT
- SAE O-ring thread
- SAE flange

**Flow Rating**

- Up to 378 l/min / 100 US GPM

**Operating Pressure**

- Max. 6,9 bar / 100 PSI

**Temperature Range**

- -25 °C ... +95 °C / -13 °F ... +203 °F

**Filter Elements**

- RTE-47 with integrated bypass valve, single stack length
- RTE-48 bypass valve integrated in the filter head, equivalent to the HF-4 elements, single and double stack lengths
- RTE-49 bypass valve integrated in the filter head, single and double stack lengths
- Specifications see page 114

**Media Compatibility**

- Mineral oils, other fluids on request

**Options and Accessories**
**Valve**

- Bypass valve: Opening pressures 1 bar / 14.5 PSI ±10 % or  
1,7 bar / 25 PSI ±10 %  
RTF-47: Bypass intergrated in the filter element  
RTF-48/49: Bypass integrated in the filter head

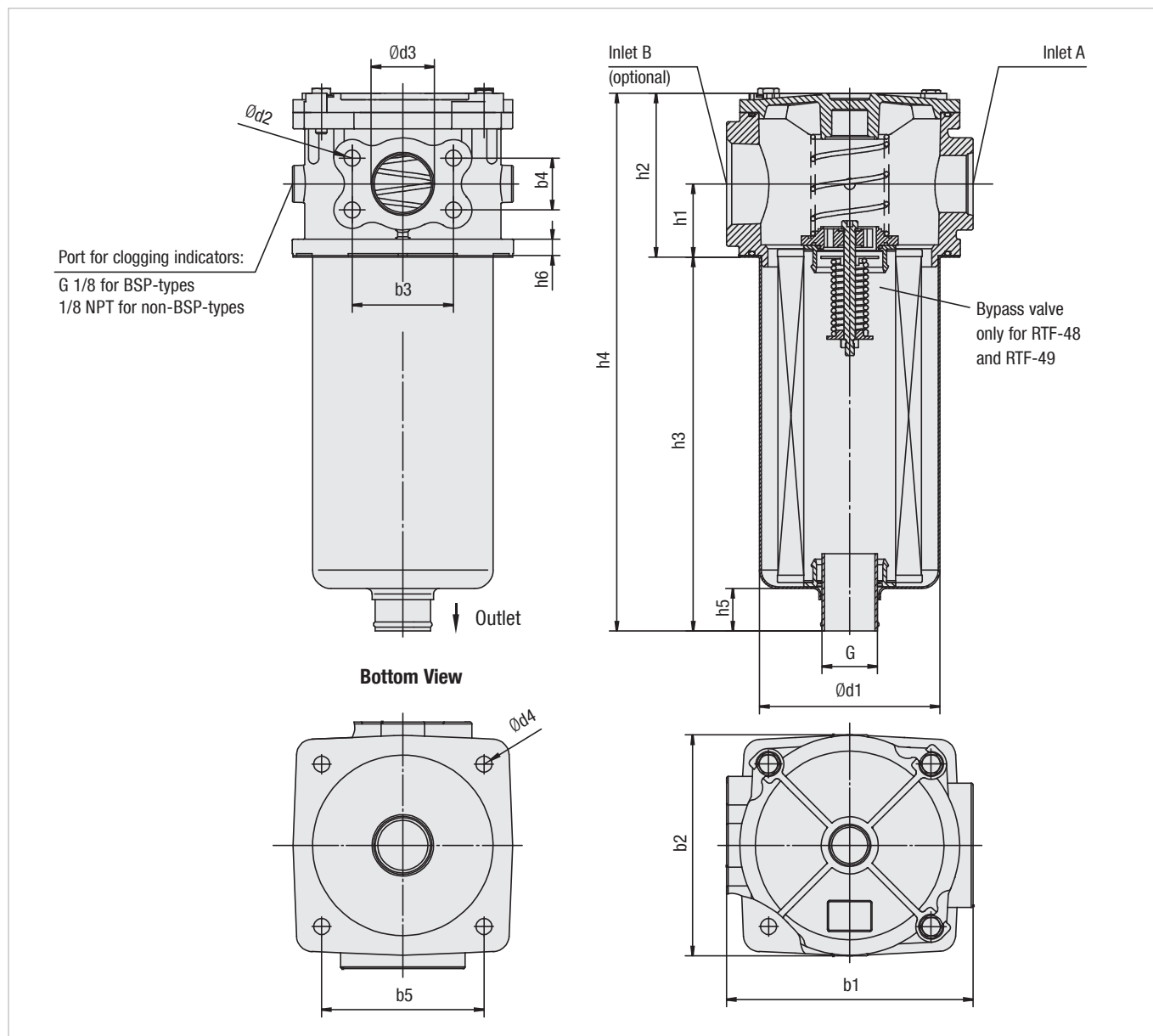
**Clogging Indicators**

- For clogging indicator types please see page 125



Return-Line Filters ■ Type RTF-40

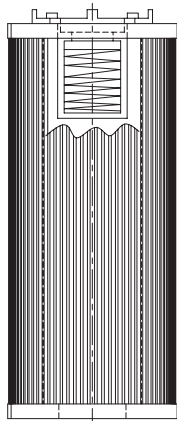
D



Filter Elements ■ Types RTE-47 / RTE-48 / RTE-49

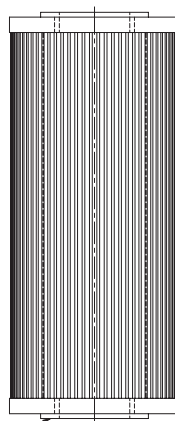
RTE-47

- with integrated bypass valve
- single stack length



RTE-48

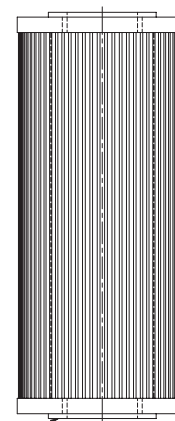
- bypass valve integrated in the filter head
- equivalent to the HF-4 elements
- single and double stack lengths



Seal: NBR (Buna®)

RTE-49

- bypass valve integrated in the filter head
- single and double stack lengths

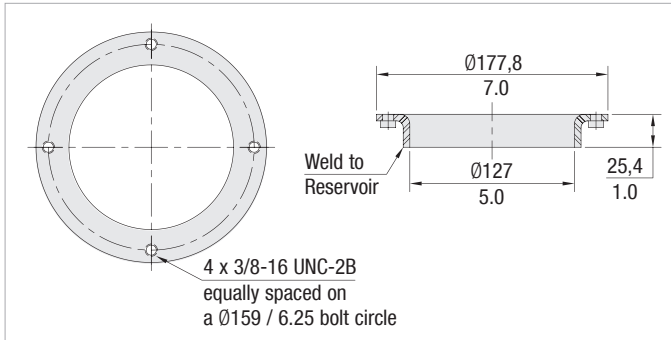


Seal: NBR (Buna®)





## Return-Line Filters ■ Type RTF-40


**RTF-40 Series Weld Ring WR-40**

The WR-40 weld ring is welded directly to the hydraulic reservoir, eliminating the need for drilling and tapping mounting holes in the reservoir.

Material: Carbon Steel

Thread Connection Combinations	Filter Size RTF			
	4...S1		4...S2	
	Inlet A	Inlet B	Inlet A	Inlet B
BSP	1-1/4 and 1-1/2 SAE Flange	None	1-1/4 and 1-1/2 SAE Flange	None
BSP	1-1/4 and 1-1/2 SAE Flange	1-1/4	1-1/4 and 1-1/2 SAE Flange	1-1/4
NPT	1-1/4 and 1-1/2 SAE Flange	None	1-1/4 and 1-1/2 SAE Flange	None
NPT	1-1/4 and 1-1/2 SAE Flange	1-1/4	1-1/4 and 1-1/2 SAE Flange	1-1/4
NPT	1-1/2	None	1-1/2	None
NPT	1-1/2	1-1/4	1-1/2	1-1/4
NPT	1-1/2	1-1/2	1-1/2	1-1/2
SAE	1-5/8-12	None	1-5/8-12	None
SAE	1-5/8-12	1-5/8-12	1-5/8-12	1-5/8-12
SAE	1-5/8-12	1-7/8-12	1-5/8-12	1-7/8-12
SAE	1-5/8-12	2-1/2-12	1-5/8-12	2-1/2-12
SAE	1-7/8-12	1-7/8-12	1-7/8-12	1-7/8-12
Combination SAE & NPT	1-5/8-12	2	1-5/8-12	2

Dimensions (mm/in)	Filter Size RTF	
	4...S1	4...S2
h1	50 1.97	50 1.97
h2	112 4.41	112 4.41
h3	263 10.35	475 18.70
h4	385 15.16	587 23.11
h5	21 .83	38 1.50
h6	11 .43	11 .43
b1	170 6.70	170 6.70
b2	152 5.98	152 5.98
b3	69.9 2.75	69.9 2.75
b4	35.6 1.40	35.6 1.40
b5	112 4.41	112 4.41
d1	122 4.80	126 4.96
d2	M12 or 1/2-13 UN	M12 or 1/2-13 UN
d3	38,1 1.50	38,1 1.50
d4	11 .43	11 .43
G	G1-1/2 or 1-1/2 NPT	G1-1/2 or 1-1/2 NPT

Dimensions in mm / in



## Return-Line Filter Housings / Complete Filters ■ Type RTF-40

**RTF** - **48** - **D** - **10** - **B** - **G20+C324M/G20** - **B1** - **S2** - **V** / **X**

① ② ③ ④ ⑤ ⑥ ⑦ ⑧ ⑨ ⑩

## ① Type

Return-Line Filter **RTF**

## ② Group

Flow	Size
190 l/min / 50 US GPM	<b>47</b>
190 l/min / 50 US GPM	<b>48</b>
190 l/min / 50 US GPM	<b>49</b>

Note: Exact flow will depend on the selected filter element.  
For technical data please see pages 123 / 124.  
For element length 2 (only RTF-48 / RTF-49)  
please double relating flow values.

## ③ Filter Material

Material	Max. $\Delta p$ *collapse	Micron ratings available	Code
Without filter element	-	-	<b>0</b>
Inorg. glass fibre	10 bar / 145 PSI	3, 5, 10, 25	<b>G</b>
Filter paper	10 bar / 145 PSI	10, 25	<b>D</b>

\*Note: Collapse/burst resistance as per ISO 2941  
Other materials on request

## ④ Micron Rating

3 $\mu m$	<b>03</b>
5 $\mu m$	<b>05</b>
10 $\mu m$	<b>10</b>
25 $\mu m$	<b>25</b>

Note: Other micron ratings on request

## ⑤ Sealing Material

NBR (Buna®) **B**  
Note: Other sealing materials on request

## ⑥ Connection Style

Connection Style	Group		Code
	Port A	Port B	
BSP	1-1/4 and 1-1/2 SAE Flange	None	<b>G20+C324M/0</b>
BSP	1-1/4 and 1-1/2 SAE Flange	1-1/4	<b>G20+C324M/G20</b>
NPT	1-1/4 and 1-1/2 SAE Flange	None	<b>N20+C324M/0</b>
NPT	1-1/4 and 1-1/2 SAE Flange	1-1/4	<b>N20+C324M/N20</b>
NPT	1-1/2	None	<b>N24/0</b>
NPT	1-1/2	1-1/4	<b>N24/N20</b>
NPT	1-1/2	1-1/2	<b>N24/N24</b>
SAE	1-5/8-12	None	<b>U20/0</b>
SAE	1-5/8-12	1-5/8-12	<b>U20/U20</b>
SAE	1-5/8-12	1-7/8-12	<b>U20/U24</b>
SAE	1-5/8-12	2-1/2-12	<b>U20/U40</b>
SAE	1-7/8-12	1-7/8-12	<b>U24/U24</b>
Combination NPT & SAE	1-5/8-12	2	<b>U20/N32</b>

## ⑦ Valve

No bypass **0**  
1 bar / 15 PSI **B1.0**  
1,7 bar / 24.6 PSI **B1.7**

## ⑧ Length

Bowl Length 1 (1 element) **S1**  
Bowl Length 2 (2 elements) **S2**  
Note: RTF-47 size available in S1 bowl length only.

## ⑨ Clogging Indicator

No clogging indicator **0**  
Visual clogging indicator **V**  
Electrical clogging indicator **E**  
Note: See page 125 for more details on indicator ports and options.

## ⑩ Design Code

Only for information **X**

## Filter Elements ■ Type RTE

**RTE** - **48** - **D** - **10** - **B** / **X**

① ② ③ ④ ⑤ ⑥

## ① Type

Filter Element Series **RTE**

## ② Group

According to filter housing

## ③ Filter Material

Material	Max. $\Delta p$ *collapse	Micron ratings available	Code
Inorg. glass fibre	10 bar / 145 PSI	3, 5, 10, 25	<b>G</b>
Filter paper	10 bar / 145 PSI	10, 25	<b>D</b>

\*Note: Collapse/burst resistance as per ISO 2941  
Other materials on request

## ④ Micron Rating

3 $\mu m$	<b>03</b>
5 $\mu m$	<b>05</b>
10 $\mu m$	<b>10</b>
25 $\mu m$	<b>25</b>

Note: Other micron ratings on request

## ⑤ Sealing Material

NBR (Buna®) **B**  
Note: Other sealing materials on request

## ⑥ Design Code

Only for information **X**



## Return-Line Filters ■ Type RTF-50



D

**Product Description**

STAUFF RTF-50 Return-Line Filters are designed for tank top applications with a maximum pressure of 6,9 bar / 100 PSI. The filter bowl is designed to return the oil beneath the surface thus preventing entrainment of air. The RTF-58 elements interchange with the popular "K" series and RTF-59 elements interchange with the "RE-409" series elements.

**Technical Data**
**Construction**

- Tank Top flange mounting

**Materials**

- Filter head: Aluminium
- Filter bowl: Bowl length 1: Polyamide  
Bowl length 2: Steel
- Sealings: NBR (Buna-N®)  
Other sealing materials on request

**Port Connections**

- BSP
- NPT
- SAE O-ring thread

**Flow Rating**

- Up to 379 l/min / 100 US GPM

**Operating Pressure**

- Max. 6,9 bar / 100 PSI

**Temperature Range**

- -25 °C ... +95 °C / -13 °F ... +203 °F

**Filter Elements**

- Specifications see page 118

**Media Compatibility**

- Mineral oils, other fluids on request

**Options and Accessories**
**Valve**

- Bypass valve: Opening pressures 1 bar / 14.5 PSI  $\pm$ 10 % or 1,7 bar / 25 PSI  $\pm$ 10 %  
Other settings available on request

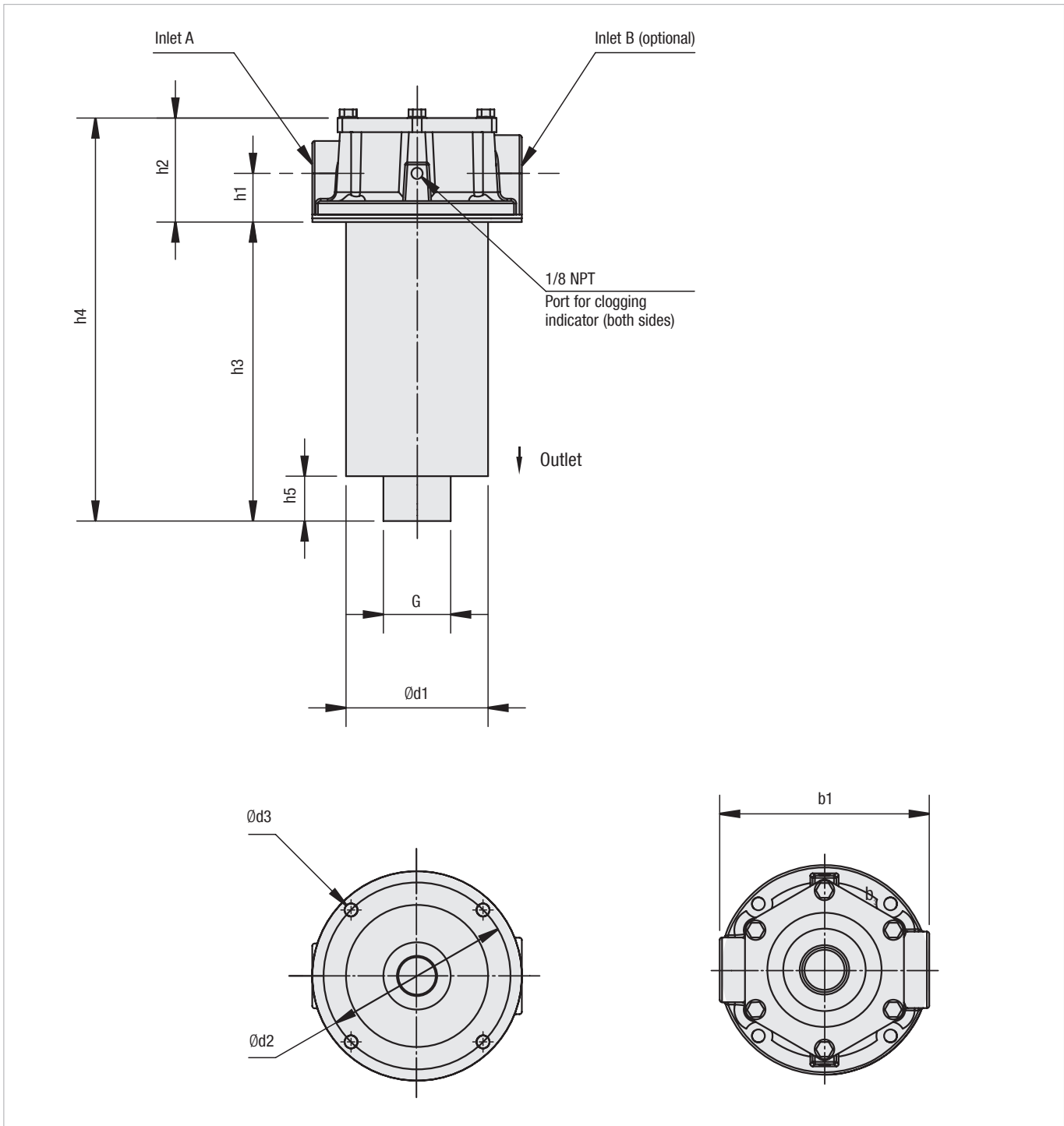
**Clogging Indicators**

- For clogging indicator types please see page 125

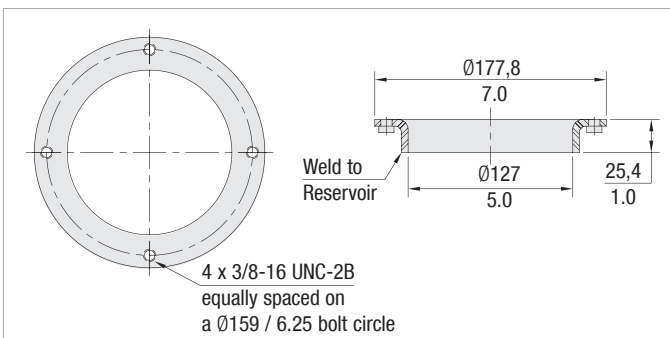


Return-Line Filters ■ Type RTF-50

D



Return-Line Filters ■ Type RTF Accessories



RTF-50 Series Weld Ring WR-40

The WR-40 weld ring is welded directly to the hydraulic reservoir, eliminating the need for drilling and tapping mounting holes in the reservoir.

Material: Carbon Steel

Dimensions in mm / in



## Return-Line Filters ■ Type RTF-50

Thread Connection Combinations	Filter Size RTF			
	5...S1		5...S2	
	Inlet A	Inlet B	Inlet A	Inlet B
NPT (N)	1-1/4	None	1-1/4	None
NPT (NM)	1-1/4	1-1/2	1-1/4	1-1/2
NPT (M)	None	1-1/2	None	1-1/2
Combination SAE & NPT (SM)	1-5/8-12	1-1/2	1-5/8-12	1-1/2
SAE (S)	1-5/8-12	None	1-5/8-12	None
SAE (T)	None	1-7/8-12	None	1-7/8-12
SAE (ST)	1-5/8-12	1-7/8-12	1-5/8-12	1-7/8-12
Combination NPT & SAE (NT)	1-1/4	1-7/8-12	1-1/4	1-7/8-12

Dimensions (mm/in)	Filter Size RTF	
	5...S1	5...S2
h1	49,3	42,3
	1.94	1.67
h2	95,5	88,5
	3.78	3.48
h3	241,3	485,9
	9.50	19.13
h4	336,8	574,9
	13.26	22.61
h5	29,5	38,1
	1.16	1.50
b1	177,8	177,8
	7.00	7.00
d1	124,8	126
	4.91	4.96
d2	158,7	158,7
	6.25	6.25
d3	11,2	11,2
	.44	.44
G	1-1/2 NPT	1-1/2 NPT

D



## Return-Line Filter Housings / Complete Filters ■ Type RTF-50

**RTF** - **58** - **D** - **10** - **B** - **N20/0** - **B1.7** - **S2** - **V** / **X**

① ② ③ ④ ⑤ ⑥ ⑦ ⑧ ⑨ ⑩

## ① Type

Return-Line Filter **RTF**

## ② Group

Flow	Size
Group size 58	<b>58</b>
Group size 59	<b>59</b>

Note: Exact flow will depend on the selected filter element.  
For technical data please see pages 123 / 124.

## ③ Filter Material

Material	Max. $\Delta p^*$ collapse	Micron ratings available	Code
Without filter element	-	-	<b>0</b>
Inorg. glass fibre	10 bar / 145 PSI	3, 5, 10, 25	<b>G</b>
Filter paper	5 bar / 72.5 PSI	10, 25	<b>D</b>

\*Note: Collapse/burst resistance as per ISO 2941  
Other materials on request

## ④ Micron Rating

3 $\mu\text{m}$	<b>03</b>
5 $\mu\text{m}$	<b>05</b>
10 $\mu\text{m}$	<b>10</b>
25 $\mu\text{m}$	<b>25</b>

Note: Other micron ratings on request

## ⑤ Sealing Material

NBR (Buna®) **B**

Note: Other sealing materials on request

## ⑥ Connection Style

Connection Style	Group		Code
	Port A	Port B	
NPT	1-1/4	None	<b>N20/0</b>
NPT	1-1/4	1-1/2	<b>N20/N24</b>
NPT	None	1-1/2	<b>0/N24</b>
Combination SAE & NPT	1-5/8-12	1-1/2	<b>U20/N24</b>
SAE	1-5/8-12	None	<b>U20/0</b>
SAE	None	1-7/8-12	<b>0/U24</b>
SAE	1-5/8-12	1-7/8-12	<b>U20/U24</b>
Combination NPT & SAE	1-1/4	1-7/8-12	<b>N20/U24</b>

## ⑦ Valve

No bypass	<b>0</b>
1 bar / 15 PSI	<b>B1.0</b>
1,7 bar / 24.6 PSI	<b>B1.7</b>

## ⑧ Length

Bowl Length 1 (1 element)	<b>S1</b>
Bowl Length 2 (2 elements)	<b>S2</b>

## ⑨ Clogging Indicator

No clogging indicator	<b>0</b>
Visual clogging indicator	<b>V</b>
Electrical clogging indicator	<b>E</b>

Note: See page 125 for more details on indicator ports and types.

## ⑩ Design Code

Only for information **X**

## Filter Elements ■ Type RTE

**RTE** - **58** - **D** - **10** - **B** - **X**

① ② ③ ④ ⑤ ⑥

## ① Type

Filter Element Series **RTE**

## ② Group

According to filter housing

## ③ Filter Material

Material	Max. $\Delta p^*$ collapse	Micron ratings available	Code
Inorg. glass fibre	10 bar / 145 PSI	3, 5, 10, 25	<b>G</b>
Filter paper	5 bar / 72.5 PSI	10, 25	<b>D</b>

\*Note: Collapse/burst resistance as per ISO 2941  
Other materials on request

## ④ Micron Rating

3 $\mu\text{m}$	<b>03</b>
5 $\mu\text{m}$	<b>05</b>
10 $\mu\text{m}$	<b>10</b>
25 $\mu\text{m}$	<b>25</b>

Note: Other micron ratings on request

## ⑤ Sealing Material

NBR (Buna®) **B**

Note: Other sealing materials on request

## ⑥ Design Code

Only for information **X**

## Return-Line Filters ■ Type RTF-N



D

**Product Description**

STAUFF RTF-N Return-Line Insert Filters allow for a choice of installation configurations which permits custom reservoir design with an in tank filtering system. The filters are installed semi-immersed or totally immersed into a reservoir. The filtration flow is from inside to the outside of the element which ensures that all the contaminant is collected inside the element itself avoiding contact with the reservoir fluid during element change. The combination of magnetic pre-filtration and high filtration efficiency results in a cost effective and versatile filtration system.

**Technical Data**
**Construction**

- Insert filter

**Materials**

- Flange plate: Aluminium
- Magnet rod: Steel
- Bypass: Steel
- Diffuser: Steel
- Sealings: NBR (Buna-N®)  
FKM (Viton®)  
Other sealing materials on request

**Flow Rating**

- Up to 500 l/min / 132 US GPM

**Operating Pressure**

- Max. 10 bar / 145 PSI

**Temperature Range**

- -29 °C ...+107 °C / -20 °F ... +225 °F

**Filter Elements**

- Specifications see page 122

**Media Compatibility**

- Mineral oils, other fluids on request

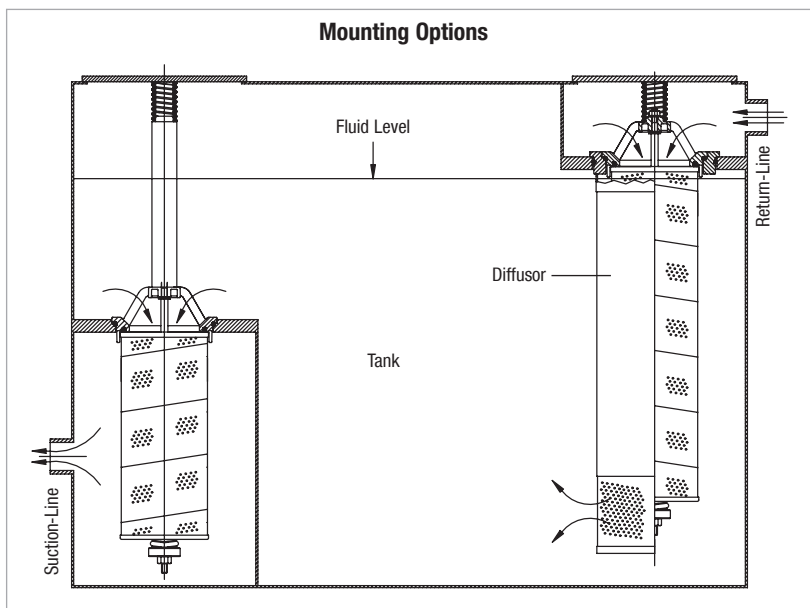
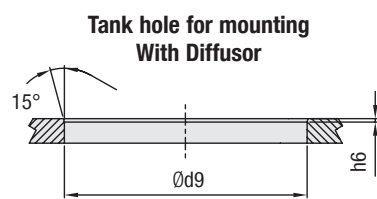
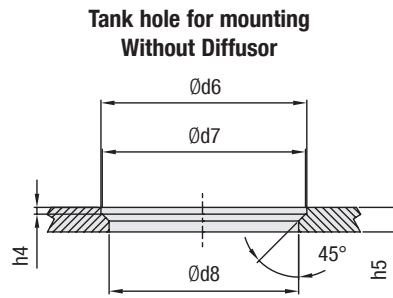
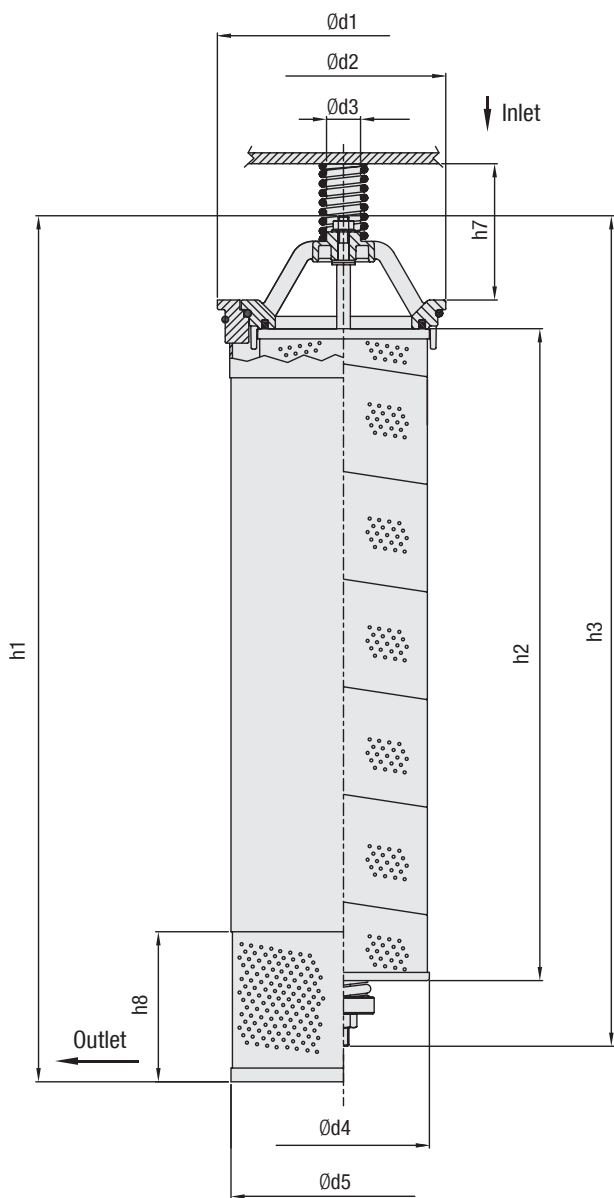
**Options and Accessories**
**Valve**

- Bypass valve: Opening pressure 1,5 bar / 22 PSI  
(integrated in the filter element) Other settings available on request



Return-Line Filters ■ Type RTF-N

D





## Return-Line Filters ▪ Type RTF-N

Dimensions (mm/in)	Filter Size RTF-N	
	390	500
h1	445	635
	17.52	25.00
h2	290	478
	11.42	18.82
h3	421	609
	16.57	23.98
h4	5	5
	.20	.20
h5	18	18
	.71	.71
h6	2,5	2,5
	.10	.10
h7	100	100
	3.94	3.94
h8	110	110
	4.33	4.33
d1	185	185
	7.28	7.28
d2	150	150
	5.91	5.91
d3	25	25
	.98	.98
d4	126	126
	4.95	4.95
d5	165	165
	6.50	6.50
d6	151	151
	5.94	5.94
d7	149	149
	5.87	5.87
d8	139	139
	5.47	5.47
d9	178	178
	7.01	7.01

D



## Return-Line Filter Housings / Complete Filters ■ Type RTF-N

**RTF-N** - **500** - **E** - **10** - **B** - **B1.5** - **D** / **X**

① ② ③ ④ ⑤ ⑥ ⑦ ⑧

## ① Type

Return-Line Insert Filter **RTF-N**

## ② Group

Flow	Size
390 l/min / 103 US GPM	<b>390</b>
500 l/min / 132 US GPM	<b>500</b>

Note: Exact flow will depend on the selected filter element.  
For technical data please see pages 13 / 124.

## ③ Filter Material

Material	Max. $\Delta p^*$ collapse	Micron ratings available	Code
Without filter element	-	-	<b>0</b>
Inorg. glass fibre	10 bar / 145 PSI	3, 5, 10, 20	<b>E</b>
Filter paper	10 bar / 145 PSI	10	<b>L</b>

\*Note: Collapse/burst resistance as per ISO 2941  
Other materials on request

## ④ Micron Rating

3 $\mu\text{m}$	<b>03</b>
5 $\mu\text{m}$	<b>05</b>
10 $\mu\text{m}$	<b>10</b>
20 $\mu\text{m}$	<b>20</b>

Note: Other micron ratings on request

## ⑤ Sealing Material

NBR (Buna®) **B**  
FKM (Viton®) **V**  
Note: Other sealing materials on request

## ⑥ Bypass Setting

1,5 bar / 22 PSI **B1.5**

## ⑦ Options

Without diffusor **0**  
With diffusor **D**

## ⑧ Design Code

Only for information **X**

## Filter Elements ■ Type RA

**RA** - **500** - **E** - **10** - **B** / **X**

① ② ③ ④ ⑤ ⑥

## ① Type

Element for Insert Filter **RA**

## ② Group

According to filter housing

## ③ Filter Material

Material	Max. $\Delta p^*$ collapse	Micron ratings available	Code
Inorg. glass fibre	10 bar / 145 PSI	3, 5, 10, 20	<b>E</b>
Filter paper	10 bar / 145 PSI	10	<b>L</b>

\*Note: Collapse/burst resistance as per ISO 2941  
Other materials on request

## ④ Micron Rating

3 $\mu\text{m}$	<b>03</b>
5 $\mu\text{m}$	<b>05</b>
10 $\mu\text{m}$	<b>10</b>
20 $\mu\text{m}$	<b>20</b>

Note: Other micron ratings on request

## ⑤ Sealing Material

NBR (Buna®) **B**  
FKM (Viton®) **V**  
Note: Other sealing materials on request

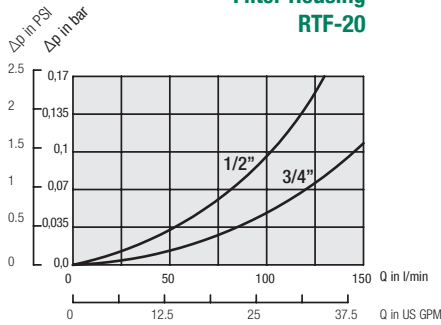
## ⑥ Design Code

Only for information **X**

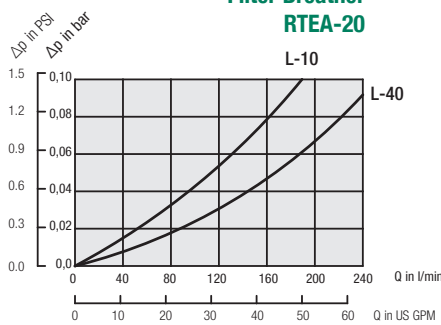
Return-Line Filters • Type RTF Flow Characteristics

The following characteristics are valid for mineral oils with a density of 0,85 kg/dm<sup>3</sup> and the kinematic viscosity of 30 mm<sup>2</sup>/s (30cSt). The characteristics have been determined in accordance to ISO 3968. Multipass filter ratings have been obtained in accordance to ISO 16889. The housing pressure drop is directly proportional to the oil density. Contact STAUFF for details.

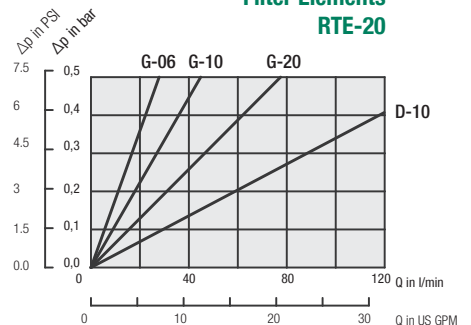
**Filter Housing  
RTF-20**



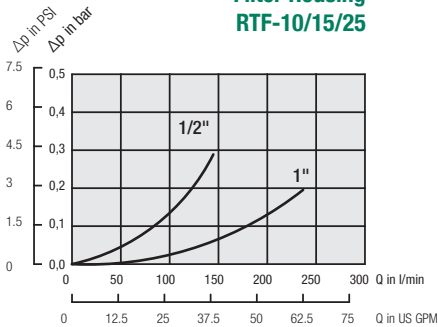
**Filter Breather  
RTEA-20**



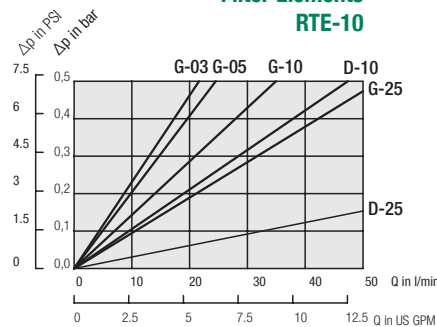
**Filter Elements  
RTE-20**



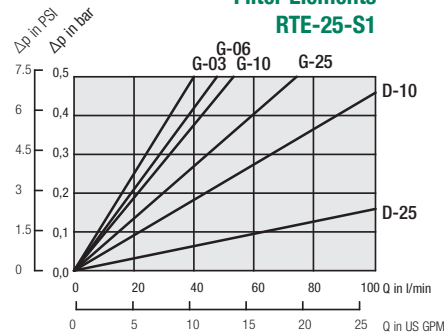
**Filter Housing  
RTF-10/15/25**



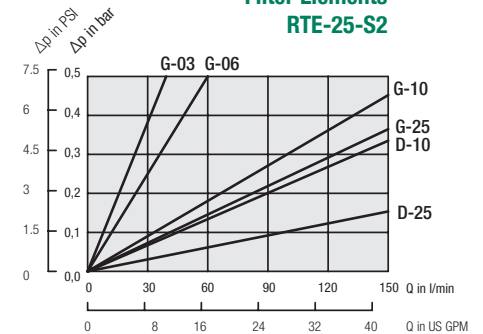
**Filter Elements  
RTE-10**



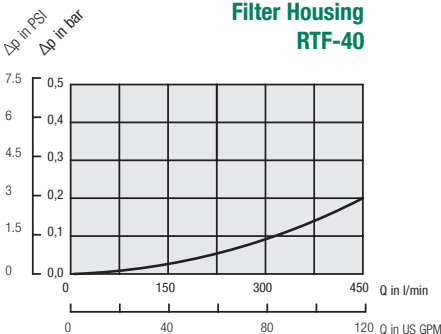
**Filter Elements  
RTE-25-S1**



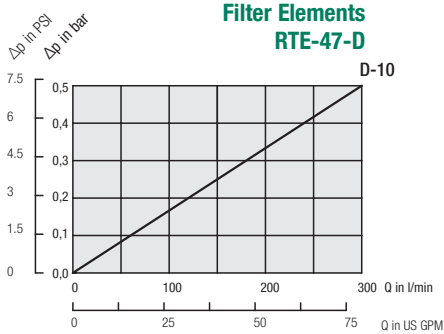
**Filter Elements  
RTE-25-S2**



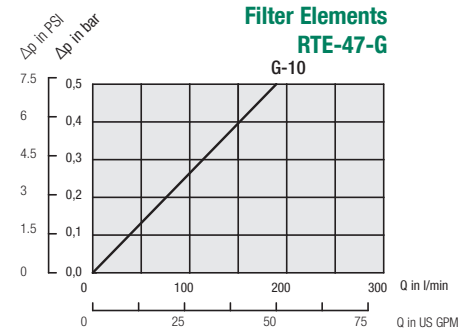
**Filter Housing  
RTF-40**



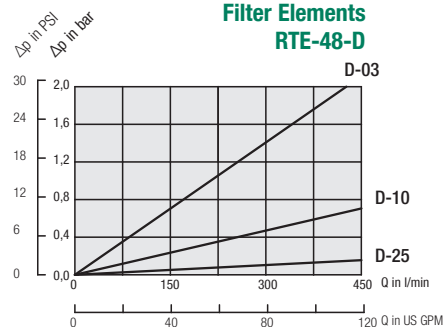
**Filter Elements  
RTE-47-D**



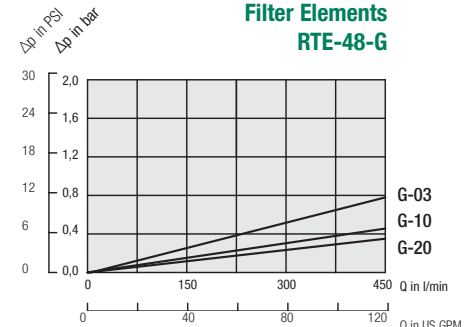
**Filter Elements  
RTE-47-G**



**Filter Elements  
RTE-48-D**



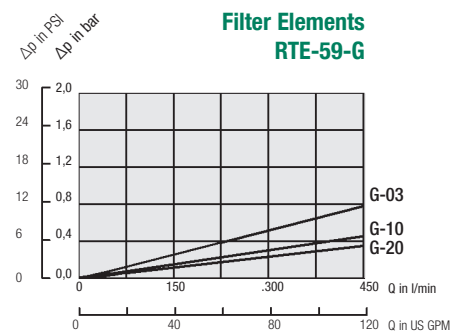
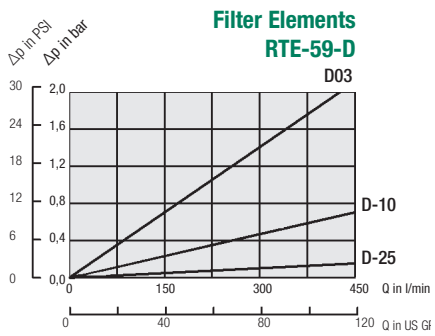
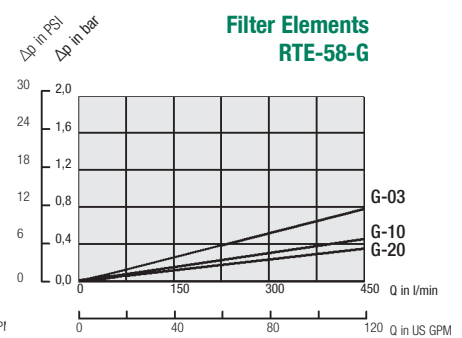
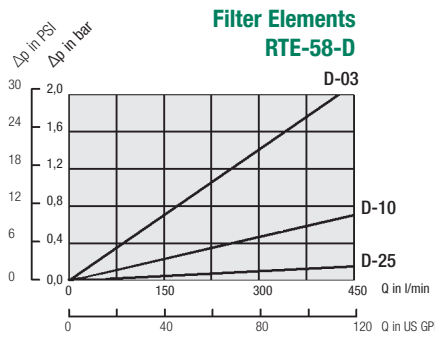
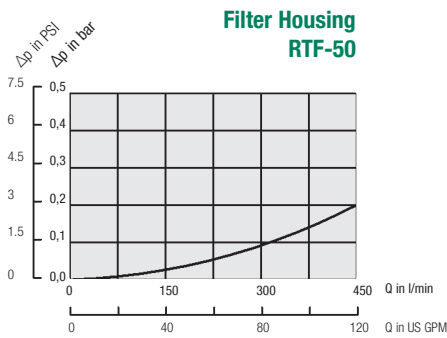
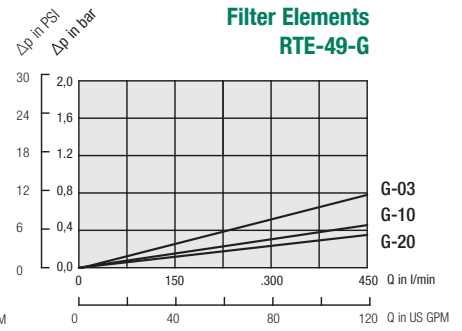
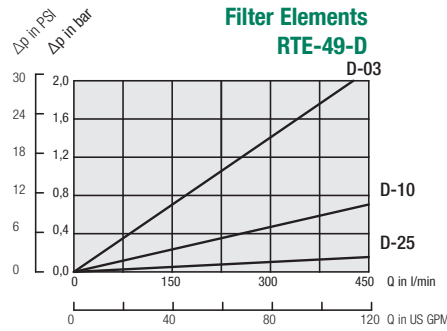
**Filter Elements  
RTE-48-G**



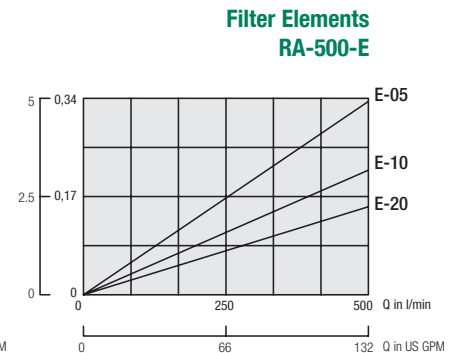
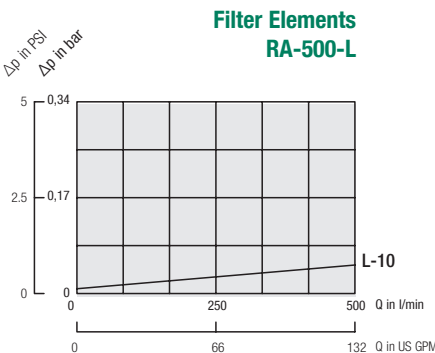
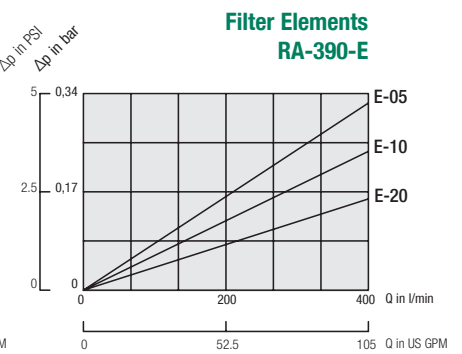
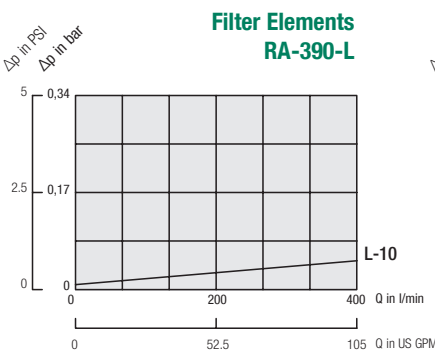
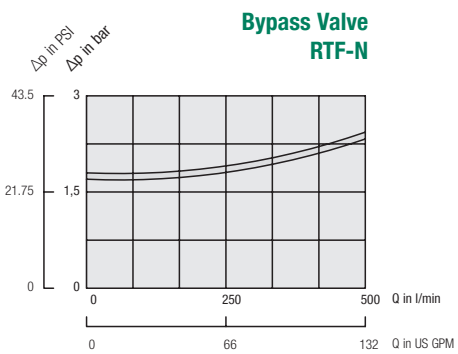
## Return-Line Filters - Type RTF Flow Characteristics

The following characteristics are valid for mineral oils with a density of 0,85 kg/dm<sup>3</sup> and the kinematic viscosity of 30 mm<sup>2</sup>/s (30cSt). The characteristics have been determined in accordance to ISO 3968. Multipass filter ratings have been obtained in accordance to ISO 16889. The housing pressure drop is directly proportional to the oil density. Contact STAUFF for details.

D

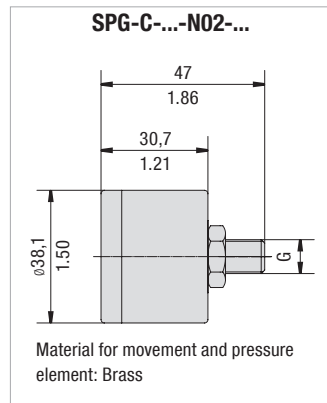
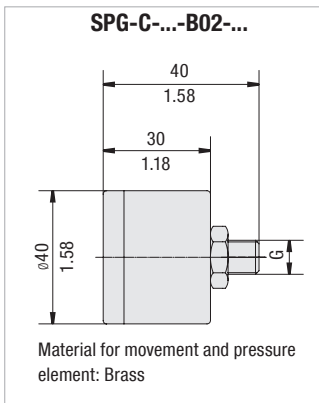


Note: Element pressure drop curves are for "S1" single elements. For "S2" double elements use 50% of the "S1" Value.



## RTF Filter Indicators

## Visual Indicators



SPG-C-...-B02-..



SPG-C-...-N02-...

Visual Pressure Clogging Indicators						Order Code	
Thread Connection G	Unit of scale	Range of scale	Coloured Segments				
			Green	Yellow	Red		
BSP	1/8	bar	0 ... 2,5	0 ... 1,2	1,2 ... 1,5	1,5 ... 2,5	SPG-C-040-00002.5-02-P-B02-402923
	1/8	bar	0 ... 4	0 ... 2,5	2,5 ... 3	3 ... 4	SPG-C-040-00004-02-P-B02-402922
	1/8	bar	0 ... 12	without coloured segments			SPG-C-040-00012-02-P-B02
NPT	1/8	PSI	0 ... 100	0 ... 13	13 ... 15	15 ... 100	SPG-C-040-00100-03-P-N02-402927
	1/8	PSI	0 ... 100	0 ... 21	21 ... 25	25 ... 100	SPG-C-040-00100-03-P-N02-402928

## Electrical Clogging Switch

## Order Code

**Limit-Switch - G42NO - S - G02 - B1.3**

①

②

③

④

⑤

## ① Type

**Limit-Switch**

## ② Connector Type

Electrical Clogging Switch 42 V, NO	<b>G42NO</b>
Electrical Clogging Switch 42 V, NC	<b>G42NC</b>
Electrical Clogging Switch 110 V ... 230 V, two-way contact (only for Plug Type W)	<b>G230</b>

## ③ Plug Type

M12 Five-Pin Connector according to IEC 61076-2-101	<b>M12</b>
AMP-Junior-Timer Plug	<b>A</b>
DEUTSCH Plug DT04-2P	<b>D</b>
Rubber boot	<b>S</b>
90 degree Polyamide cap (only for Connector Type G230)	<b>W</b>

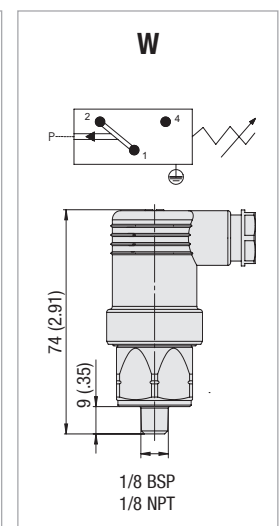
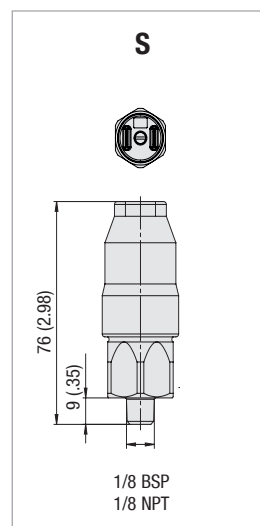
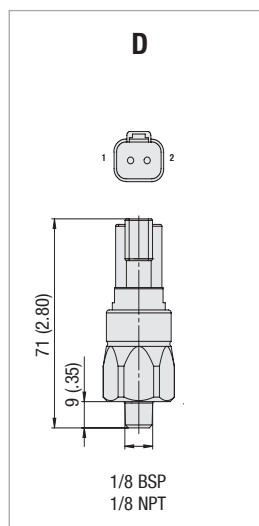
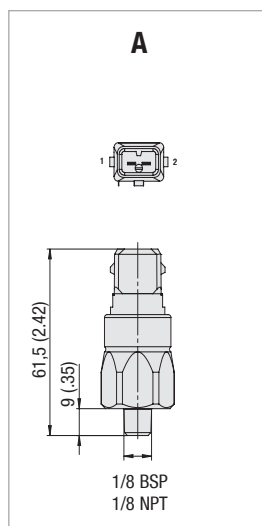
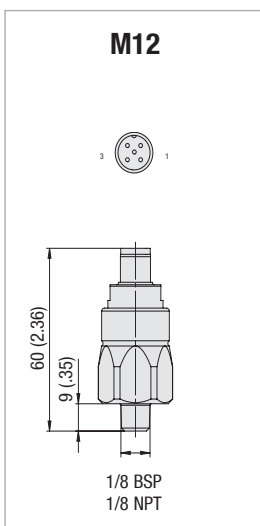
## ④ Thread Type

1/8 BSP	<b>G02</b>
1/8 NPT	<b>N02</b>

## ⑤ Pressure Setting

1,3 bar / 18.8 PSI	<b>B1.3</b>
--------------------	-------------

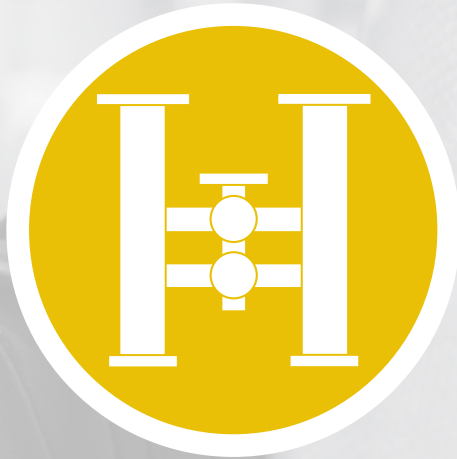
Note: Technical Data for Limit-Switch types please see Page 73.



Note: The customer / user carries the responsibility for the electrical connection.

Dimensional drawings: All dimensions in mm/in.





 STALFF

**Overview In-Line Filters** 128

SRFL-S / SRFL-D / SRFL-SW



<b>In-Line Filters</b>	<b>SRFL-S / SRFL-D</b>	<b>129 - 142</b>
Max. 14 bar / 200 PSI		
Max. 7000 l/min / 1850 US GPM		

Technical Data / Dimensions 130 - 139

Order Code - In-Line Filter 140

Order Code - Filter Elements 140

**Differential Pressure Switch with Visual Gauge Indicator** 141

**Flow Characteristics** 142



<b>In-Line Filters</b>	<b>SRFL-SW</b>	<b>143 - 147</b>
Max. 16 bar / 232 PSI		
Max. 13330 l/min / 3521 US GPM		

Technical Data / Dimensions 144 - 145

Order Code - In-Line Filter 146

Order Code - Filter Elements 146

**Differential Pressure Switch with Visual Gauge Indicator** 147

**E**



**Description**

STAUFF In-Line Simplex Filters SRFL-S and Duplex Filters SRFL-D are designed for in-line hydraulic applications. With its compact construction and the easy maintain assembly the SRFL-S and SRFL-D Filters are suitable for flow rates up to 7000 l/min / 1850 US GPM.

The two housings of the Duplex Filter SRFL-D are connected with a special gate valve that is operated with a level or hand wheel. Therefore the filter may be serviced without shutting down the hydraulic system.

The STAUFF In-Line Filter SRFL-SW is designed for installation in water circulations. This filter can be used for cleaning of e.g. industrial water of descaling systems. The filter elements are designed as basket strainers, which keep the dirt during the element change.

**Media Compatibility**

- Mineral oils, lubrication oils and water, others on request

**Options and Accessories**

**Valves (except REL Filter Elements)**

- Bypass valve (integrated in the filter element)

**Clogging Indicators**

- On request with visual and electrical differential pressure indicator
- The SRFL-SW is also available with an visual-electrical differential pressure indicator



**Type SRFL-S**

- Version: Simplex
- Operating pressure: max. 14 bar / 200 PSI
- Nominal flow rate: max. 7000 l/min / 1850 US GPM
- Materials: Filter housing: Carbon Steel, Stainless Steel (on request)
- Connections: ANSI, DIN or SAE flange (ISO 6162-1/2)



**Type SRFL-SW**

- Version: Simplex, suitable for water Duplex on request
- Operating pressure: max. 16 bar / 232 PSI
- Nominal flow rate: max. 13330 l/min / 3521 US GPM
- Materials: Filter housing: Carbon Steel, Stainless Steel (on request)
- Connections: ANSI or DIN flange



**Type SRFL-D**

- Version: Duplex
- With switch control for maintenance of the system without stoppage
- Operating pressure: max. 14 bar / 200 PSI
- Nominal flow rate: max. 7000 l/min / 1850 US GPM
- Materials: Filter housing: Carbon Steel, Stainless Steel (on request)
- Connections: ANSI, DIN or SAE flange (ISO 6162-1/2)





**In-Line Filters ■ Type SRFL-S / D**

**Product Description**

STAUFF In-Line Simplex Filters SRFL-S and Duplex Filters SRFL-D are designed for in-line hydraulic applications. With its compact construction and the easy maintain assembly the SRFL-S and SRFL-D Filters are suitable for flow rates up to 7000 l/min / 1850 US GPM. The two housings of the Duplex Filter SRFL-D are connected with a special gate valve that is operated with a level or hand wheel. Therefore the filter may be serviced without shutting down the hydraulic system. A high efficiency of contaminant removal is assured by using STAUFF RE series Replace-ment Filter Elements. The high dirt-hold capacity of STAUFF Elements ensure a long service life and, as a result, reduced maintenance costs.

**Technical Data**
**Construction**

- In-line assembly, base mounted

**Materials**

- Filter housing: Carbon Steel  
Stainless Steel (on request)
- Sealings: NBR (Buna-N®)  
FKM (Viton®)  
Other sealing materials on request

**Port Connections**

- DIN flange
- ANSI flange
- SAE flange

**Operating Pressure**

- Max. 14 bar / 200 PSI

**Flow Rating**

- Up to 7000 l/min / 1850 US GPM

**Temperature Range**

- -10 °C ... +100 °C / +14 °F ... +212 °F

**Filter Elements**

- Specifications see page 140

**Media Compatibility**

- Mineral oils, lubrication oils, other fluids on request

**Options and Accessories**
**Valve**

- Bypass valve: Opening pressure 3 bar ± 0,3 bar / 43.5 PSI ± 4.35 PSI  
(integrated in the filter element) Other settings available on request

**Clogging Indicators**

- Differential pressure switch incl. visual indicator, setting 1,6 bar / 23 PSI  
Other clogging indicators available on request

Filter Size	Flow l/min/ US GPM	Flange			Filter Element quantity		Arrangement of filter elements	Page
		DIN 2501	ANSI B 16.5	SAE 3000 PSI	SRFL-S	SRFL-D		
SRFL-S/D-160	900/240	DN 40	1-1/2	1-1/2	1x RE-160	2x RE-160		130 / 134
SRFL-S/D-200	900/240	DN 50	2	2	1x RE-200	2x RE-200		
SRFL-S/D-300	1400/370	DN 65	2-1/2	2-1/2	1x RE-300	2x RE-300		
SRFL-S/D-600	1400/370	DN 80	3	3	1x RE-600	2x RE-600		132 / 136
SRFL-S/D-1200	4000/1050	DN 100	4	4	2x RE-600	4x RE-600		
SRFL-S/D-1800	4000/1050	DN 125	5	5	3x RE-600	6x RE-600		
SRFL-S/D-2400	6000/1580	DN 150	6	6	4x RE-600	8x RE-600		132 / 138
SRFL-S/D-3600	7000/1850	DN 200	8	8	6x RE-600	12x RE-600		

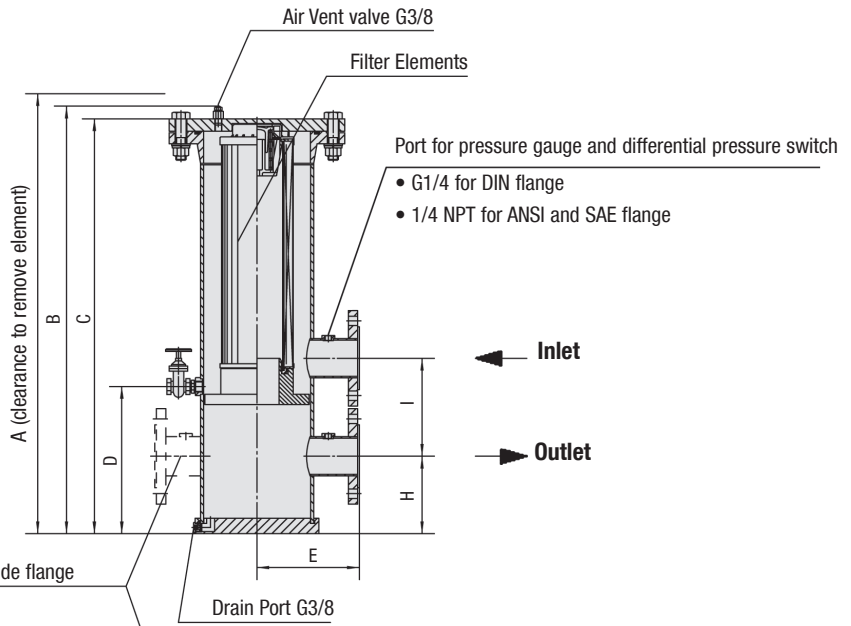
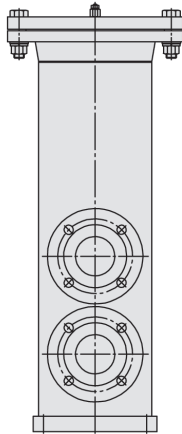
**E**


In-Line Filters ■ Type SRFL-S-160 / 200 / 300 / 600

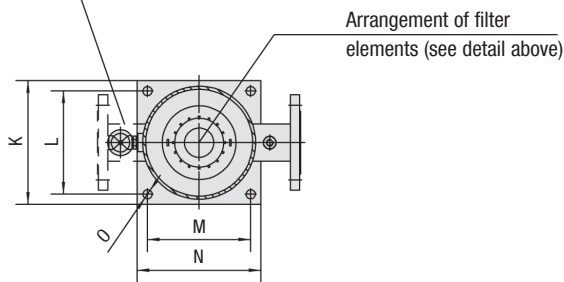
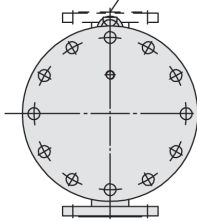
Detail arrangement of filter elements



SRFL-S-160 / 200 / 300 / 600

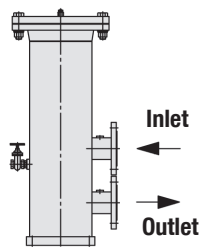


Option: Opposite side flange  
see detail

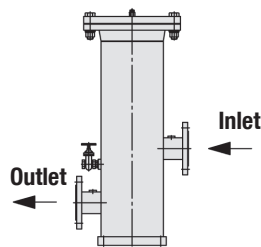


Option: Connection location

S (same side)



O (opposite side)



E



**In-Line Filters ■ Type SRFL-S-160 / 200 / 300 / 600**

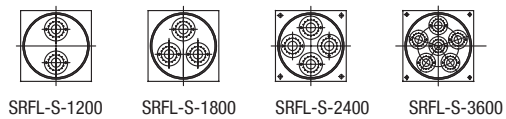
Flange Connection	Filter Size SRFL-S			
	160	200	300	600
DIN	DN 40	DN 50	DN 65	DN 80
ANSI	1-1/2	2	2-1/2	3
SAE	1-1/2	2	2-1/2	3

Dimensions (mm/in)	Filter Size SRFL-S			
	160	200	300	600
A	885,8	1045,8	1248,7	2126,7
	34.87	41.17	49.16	83.73
B	607,6	688,7	828,6	1267,6
	23.92	27.12	32.63	49.91
C	584	664	803,9	1242,9
	22.99	26.14	31.65	48.93
D	214	214	285	285
	8.43	8.43	11.22	11.22
E	148	148	198	198
	5.83	5.83	7.80	7.80
H	130	140	150	160
	5.12	5.51	5.91	6.30
I	155	190	190	220
	6.10	7.48	7.48	8.66
K	150	150	240	240
	5.91	5.91	9.45	9.45
L	125	125	200	200
	4.92	4.92	7.87	7.87
M	125	125	200	200
	4.92	4.92	7.87	7.87
N	150	150	240	240
	5.91	5.91	9.45	9.45
O	11	11	18	18
	.43	.43	.71	.71
Total Oil Capacity (l/gal)	6,0	7,1	22,2	37,1
	1.59	1.86	5.87	9.80
Weight (kg/lbs)	14,5	15,9	29	34,5
	32	35	64	76
Filter Elements	Designation	RE-160 ...	RE-200 ...	RE-300 ...
	Quantity	1 x 1	1 x 1	1 x 1

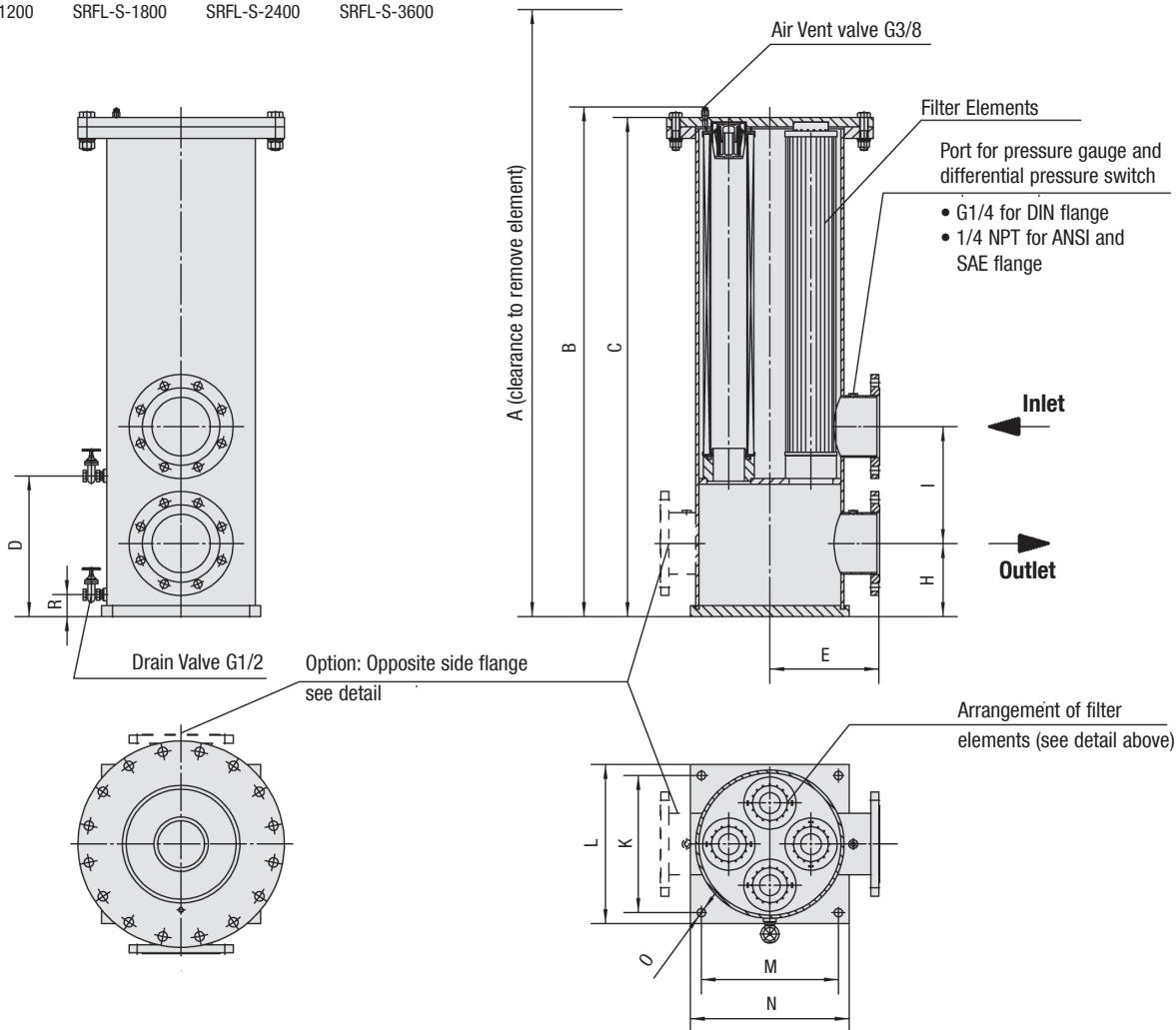
**E**


In-Line Filters ■ Type SRFL-S-1200 / 1800 / 2400 / 3600

Detail arrangement of filter elements

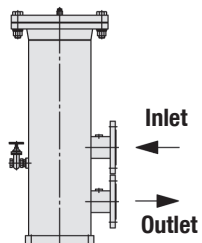


E

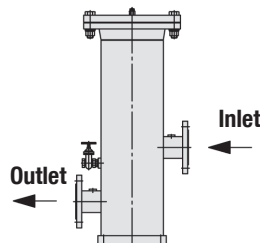


Option: Connection location

S (same side)



O (opposite side)



**In-Line Filters ■ Type SRFL-S-1200 / 1800 / 2400 / 3600**

Flange Connection	Filter Size SRFL-S			
	1200	1800	2400	3600
DIN	DN 100	DN 125	DN 150	DN 200
ANSI	4	5	6	8
SAE	4	5	6	8

Dimensions (mm/in)	Filter Size SRFL-S			
	1200	1800	2400	3600
A	2176,7	2176,7	2249,1	2249,1
	85.70	85.70	88.55	88.55
B	1319,6	1323,6	1394,8	1392,8
	51.96	52.11	54.92	54.84
C	1294,6	1294,9	1366,1	1368,1
	50.98	50.98	53.78	53.86
D	275	275	325	325
	10.83	10.83	12.80	12.80
E	273	273	298	398
	10.75	10.75	11.73	15.67
H	190	190	200	252
	7.48	7.48	7.87	9.92
I	250	280	320	425
	9.84	11.02	12.6	16.73
K	385	385	435	540
	15.16	15.16	17.13	21.26
L	325	325	375	480
	12.80	12.80	14.76	18.90
M	325	325	375	480
	12.80	12.80	14.76	18.90
N	385	385	435	540
	15.16	15.16	17.13	21.26
O	23	23	23	23
	.91	.91	.91	.91
R	60	60	60	60
	2.36	2.36	2.36	2.36
Total Oil Capacity (l/gal)	103	103	149	232
	27.21	27.21	39.37	61.30
Weight (kg/lbs)	86,2	90,7	105,2	154,2
	190	200	232	340
Filter Elements	Designation	RE-600 ...	RE-600 ...	RE-600 ...
	Quantity	1 x 2	1 x 3	1 x 4

**E**

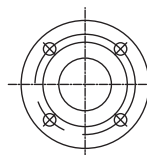

In-Line Filters ■ Type SRFL-D-160 / 200 / 300 / 600

Detail arrangement of filter elements

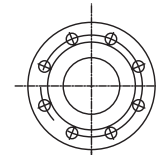


SRFL-D-160 / 200 / 300 / 600

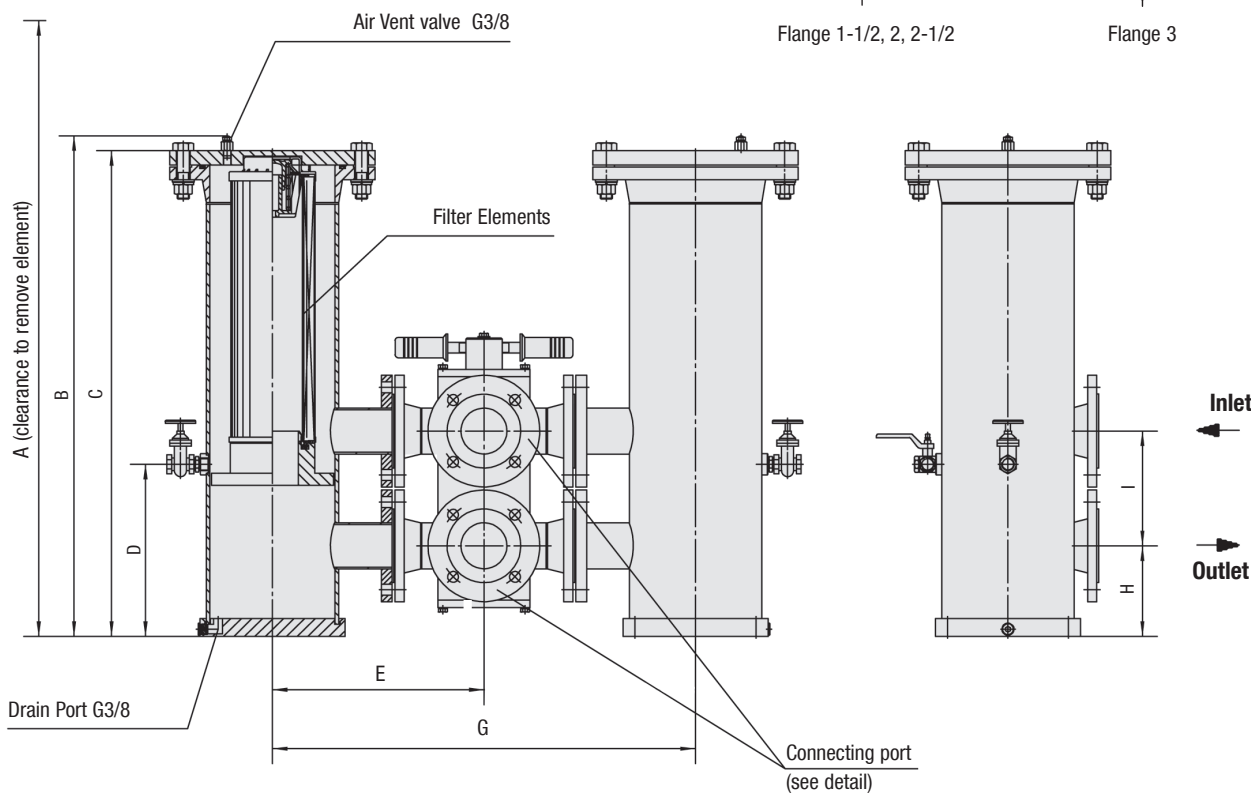
Detail connecting ports



Flange 1-1/2, 2, 2-1/2

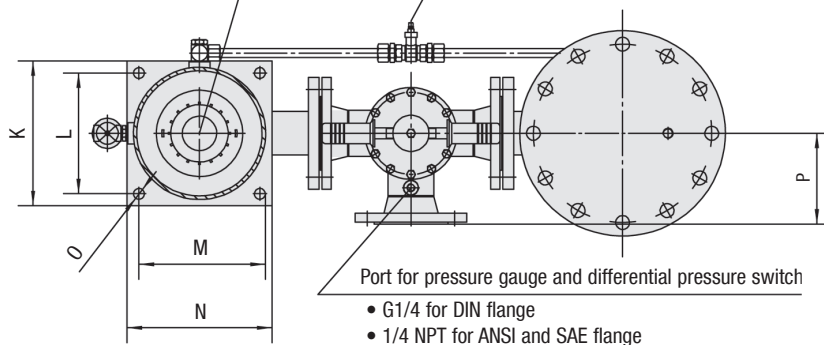


Flange 3



Arrangement of filter elements (see detail above)

Pressure tap  
Balance line 1/2"



E



**In-Line Filters ■ Type SRFL-D-160 / 200 / 300 / 600**

Flange Connection	Filter Size SRFL-D			
	160	200	300	600
DIN	DN 40	DN 50	DN 65	DN 80
ANSI	1-1/2	2	2-1/2	3

Dimensions (mm/in)	Filter Size SRFL-D				
	160	200	300	600	
A	885,8	1045,8	1248,7	2126,7	
	34.87	41.17	49.16	83.73	
B	607,6	688,7	828,6	1267,6	
	23.92	27.12	32.63	49.91	
C	584	642	803,9	1242,9	
	22.99	25.28	31.65	48.93	
D	214	214	285	285	
	8.43	8.43	11.22	11.22	
E	260	300	350	375	
	10.24	11.81	13.78	14.76	
G	520	600	700	750	
	20.47	23.62	27.56	29.53	
H	130	140	150	160	
	5.12	5.51	5.91	6.30	
I	155	190	190	220	
	6.10	7.48	7.48	8.66	
K	150	150	240	240	
	5.91	5.91	9.45	9.45	
L	125	125	200	200	
	4.92	4.92	7.87	7.87	
M	125	125	200	200	
	4.92	4.92	7.87	7.87	
N	150	150	240	240	
	5.91	5.91	9.45	9.45	
O	11	11	18	18	
	.43	.43	.71	.71	
P	110	150	150	175	
	4.33	5.91	5.91	6.89	
Total Oil Capacity (l/gal)	6	7,1	22,2	37,1	
	1.59	1.86	5.87	9.80	
Weight (kg/lbs)	43	56,7	84	104	
	95	125	185	230	
Filter Elements	Designation	RE-160 ...	RE-200 ...	RE-300 ...	RE-600 ...
	Quantity	2 x 1	2 x 1	2 x 1	2 x 1

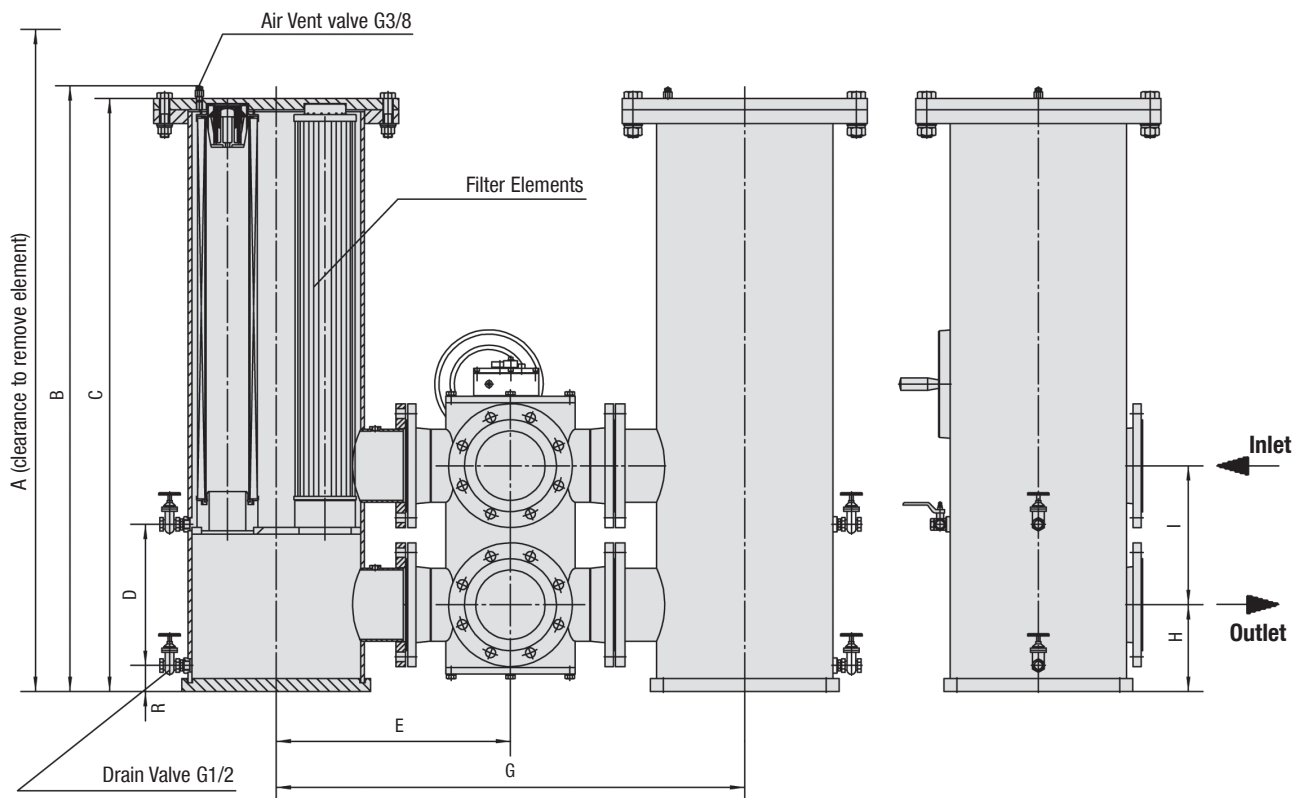
**E**


In-Line Filters ■ Type SRFL-D-1200 / 1800 / 2400

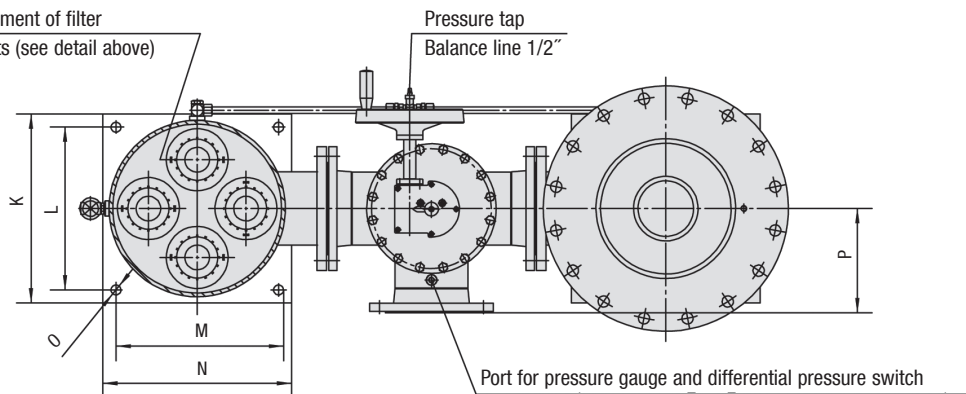
Detail arrangement of filter elements



E



Arrangement of filter elements (see detail above)



Port for pressure gauge and differential pressure switch

- G1/4 for DIN flange
- 1/4 NPT for ANSI and SAE flange





**In-Line Filters ■ Type SRFL-D-1200 / 1800 / 2400**

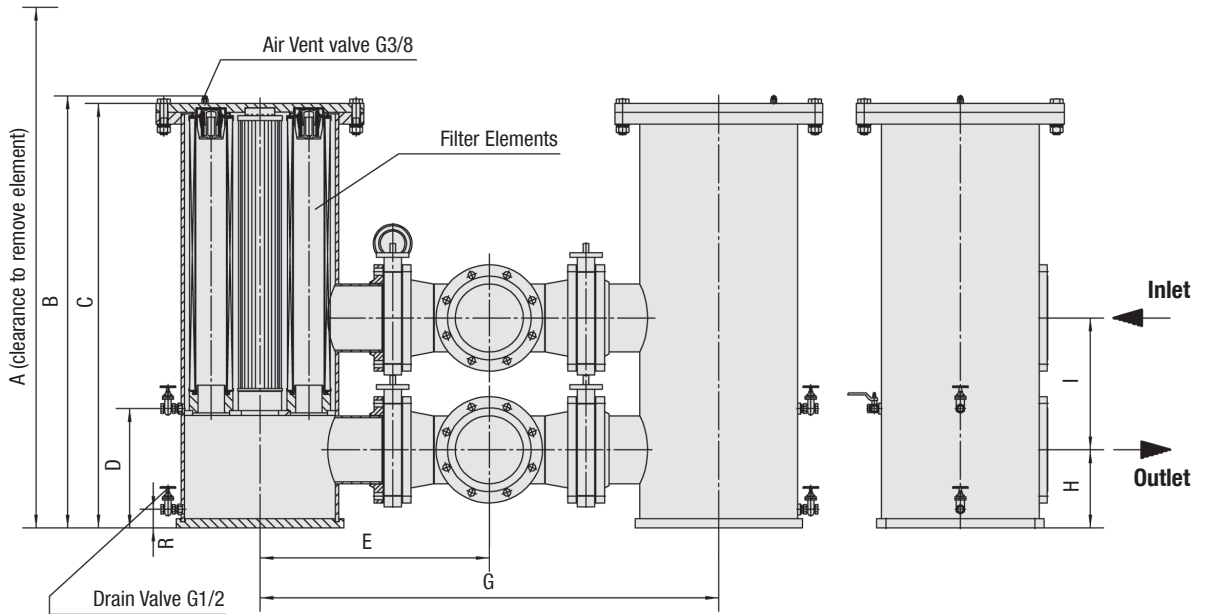
Flange Connection	Filter Size SRFL-D		
	1200	1800	2400
DIN	DN 100	DN 125	DN 150
ANSI	4	5	6

Dimensions (mm/in)	Filter Size SRFL-D		
	1200	1800	2400
A	2176,7	2176,7	2249,1
	85.70	85.70	88.55
B	1319,6	1323,6	1394,8
	51.96	52.11	54.92
C	1294,9	1294,9	1366,1
	50.98	50.98	53.78
D	275	275	325
	10.83	10.83	12.80
E	475	500	540
	18.70	19.69	21.26
G	950	1000	1080
	37.40	39.37	42.52
H	190	190	200
	7.48	7.48	7.87
I	250	280	320
	9.84	11.02	12.60
K	385	385	435
	15.16	15.16	17.13
L	325	325	375
	12.80	12.80	14.76
M	325	325	375
	12.80	12.80	14.76
N	385	385	435
	15.16	15.16	17.13
O	23	23	23
	.91	.91	.91
P	200	225	240
	7.87	8.86	9.45
R	60	60	60
	2.36	2.36	2.36
Total Oil Capacity (l/gal)	103	103	149
	27.20	27.20	39.30
Weight (kg/lbs)	215	233	263
	475	515	580
Filter Elements	Designation	RE-600 ...	RE-600 ...
	Quantity	2 x 2	2 x 3
			RE-600 ...
			2 x 4

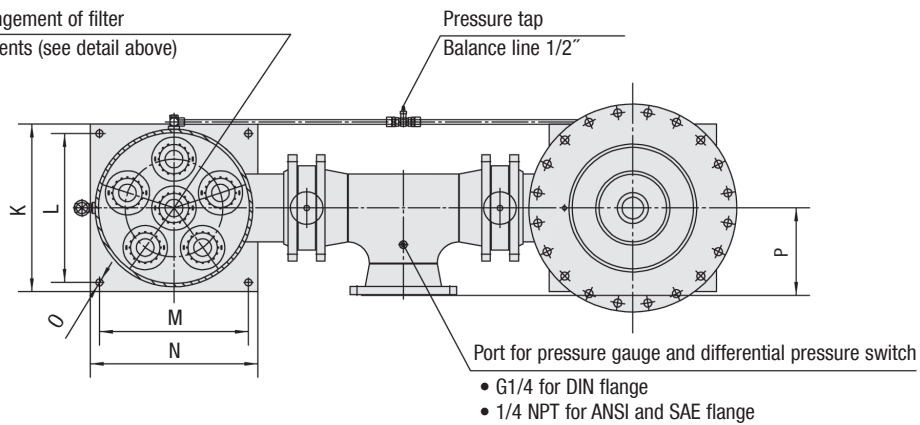
**E**


In-Line Filters ▪ Type SRFL-D-3600

Detail arrangement of filter elements



Arrangement of filter elements (see detail above)



E



## In-Line Filters ▪ Type SRFL-D-3600

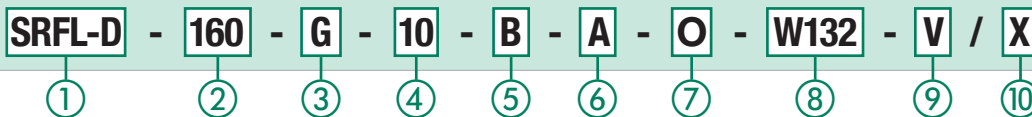
Flange Connection	Filter Size SRFL-D
	<b>3600</b>
DIN	DN 200
ANSI	8

Dimensions (mm/in)	Filter Size SRFL-D	
	<b>3600</b>	
A	2249,1 88.55	
B	1392,8 54.84	
C	1368,1 53.86	
D	325 12.80	
E	739 29.11	
G	1479 58.22	
H	252 9.92	
I	425 16.73	
K	540 21.26	
L	480 18.90	
M	480 18.90	
N	540 21.26	
O	23 .91	
P	281,4 11.08	
R	60 2.36	
Total Oil Capacity (l/gal)	233 61.3	
Weight (kg/lbs)	390 860	
Filter Elements	Designation	RE-600 ...
	Quantity	2 x 6

E



In-Line Filter Housings / Complete Filters ▪ Type SRFL-S / D



① Type

In-Line Simplex Housing	<b>SRFL-S</b>
In-Line Duplex Housing	<b>SRFL-D</b>

② Group

Flow	Size
900 l/min / 240 US GPM	<b>160</b>
900 l/min / 240 US GPM	<b>200</b>
1400 l/min / 370 US GPM	<b>300</b>
1400 l/min / 370 US GPM	<b>600</b>
4000 l/min / 1050 US GPM	<b>1200</b>
4000 l/min / 1050 US GPM	<b>1800</b>
6000 l/min / 1580 US GPM	<b>2400</b>
7000 l/min / 1850 US GPM	<b>3600</b>

③ Filter Material

Material	Max. Δp*collapse	Micron ratings available	Code
Without filter element	-	-	<b>O</b>
Inorg. glass fibre	25 bar / 363 PSI	3, 5, 10, 20	<b>G</b>
Stainless fibre	30 bar / 435 PSI		<b>A</b>
Filter paper	10 bar / 145 PSI	10, 20	<b>N</b>
Stainless mesh	30 bar / 435 PSI	25, 50, 100, 200	<b>S</b>

\* Note: Collapse/burst resistance as per ISO 2941. Other materials on request.

④ Micron Rating

3 µm	<b>03</b>
5 µm	<b>05</b>
10 µm	<b>10</b>
20 µm	<b>20</b>
25 µm	<b>25</b>
50 µm	<b>50</b>
100 µm	<b>100</b>
200 µm	<b>200</b>

Note: Other micron ratings on request.

⑤ Sealing Material

NBR (Buna®)	<b>B</b>
FKM (Viton®)	<b>V</b>

Note: Other sealing materials on request.

⑥ Connection Style

Connection Style	Group								Code
	160	200	300	600	1200	1800	2400	3600	
DIN Flange	DN 40	DN 50	DN 65	DN 80	DN 100	DN 125	DN 150	DN 200	<b>D</b>
ANSI Flange	1-1/2	2	2-1/2	3	4	5	6	8	<b>A</b>
SAE Flange	1-1/2	2	2-1/2	3	4	5	-	-	<b>S</b>

⑦ Connection Location

Opposite side*	<b>O</b>
Same side	<b>S</b>

\* Note: Not for SRFL-D series

⑧ Housing Material

Carbon Steel	<b>W132</b>
Stainless Steel	<b>W4</b>

⑨ Clogging Indicator

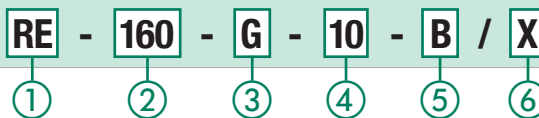
Without Clogging Indicator	<b>O</b>
Differential Pressure Switch with Visual Gauge Indicator	<b>V</b>

Note: Other indicators on request.

⑩ Design Code

Only for information	<b>X</b>
----------------------	----------

Filter Elements ▪ Type RE



① Type

Filter Element Series	<b>RE</b>
-----------------------	-----------

② Group

Designation	Filter Element Quantity		Size
	SRFL-S	SRFL-D	
RE-160	1x1	2x1	<b>160</b>
RE-200	1x1	2x1	<b>200</b>
RE-300	1x1	2x1	<b>300</b>
RE-600	1x1	2x1	<b>600</b>
RE-600	1x2	2x2	<b>1200</b>
RE-600	1x3	2x3	<b>1800</b>
RE-600	1x4	2x4	<b>2400</b>
RE-600	1x6	2x6	<b>3600</b>

③ Filter Material

Material	Max. Δp*collapse	Micron ratings available	Code
Inorg. glass fibre	25 bar / 363 PSI	3, 5, 10, 20	<b>G</b>
Stainless fibre	30 bar / 435 PSI		<b>A</b>
Filter paper	10 bar / 145 PSI	10, 20	<b>N</b>
Stainless mesh	30 bar / 435 PSI	25, 50, 100, 200	<b>S</b>

\* Note: Collapse/burst resistance as per ISO 2941. Other materials on request.

④ Micron Rating

3 µm	<b>03</b>
5 µm	<b>05</b>
10 µm	<b>10</b>
20 µm	<b>20</b>
25 µm	<b>25</b>
50 µm	<b>50</b>
100 µm	<b>100</b>
200 µm	<b>200</b>

Note: Other micron ratings on request.

⑤ Sealing Material

NBR (Buna®)	<b>B</b>
FKM (Viton®)	<b>V</b>

Note: Other sealing materials on request

⑥ Design Code

Only for information	<b>X</b>
----------------------	----------



## Return-Line Filters ■ Type SRFL-S / D

**Differential Pressure Switch with Visual Gauge Indicator**

The switch is used to indicate when the elements need to be changed. The switch can turn on a light, shut down the machine or any further function controlled by an electrical signal. The gauge visually indicates the differential pressure across the filter elements.

**Diameter**

- 100 mm / 3.94 in

**Scale**

- 0 ... 1,6 kg/cm<sup>2</sup>

**Connection Thread**

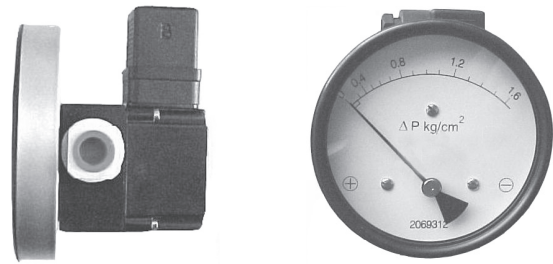
- G1/4

**Operating Pressure**

- Max. 200 bar / 2900 PSI

**Temperature Range**

- -20 °C ... +80 °C / -4 °F ... +176 °F


**Materials**

- Body: Aluminium
- Lens: Glass
- Sealing Material: NBR (Buna-N®)  
FKM (Viton®)

**Protection Rating**

- IP 65: Dust tight and protected against water jets.

**Switch Voltage**

- Max. 28 V AC/DC

**Current On Contact**

- Max. 0,25 A

**Contact Rating**

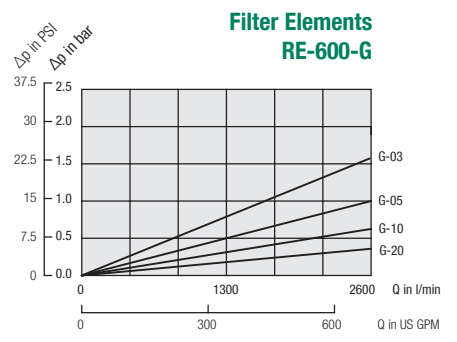
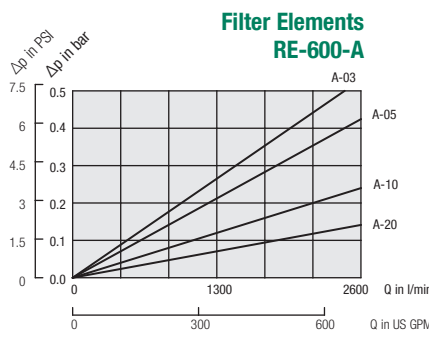
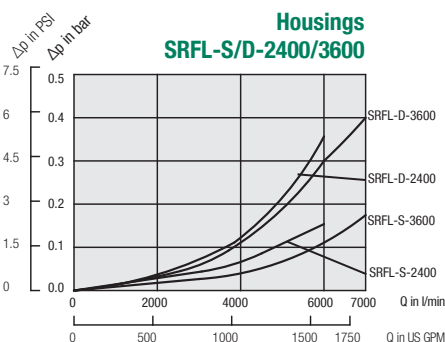
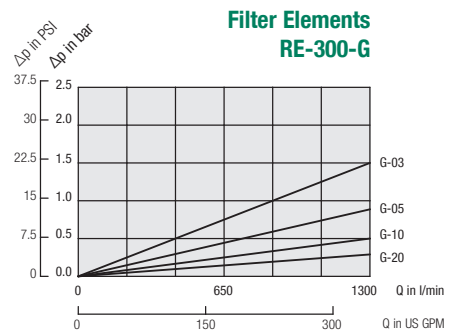
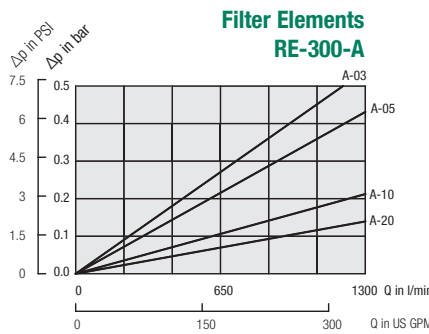
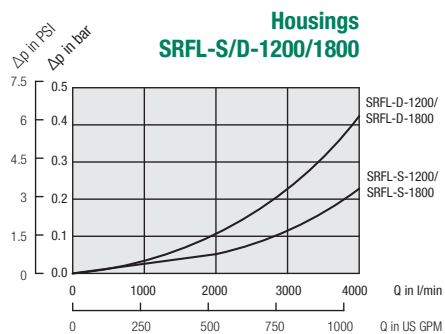
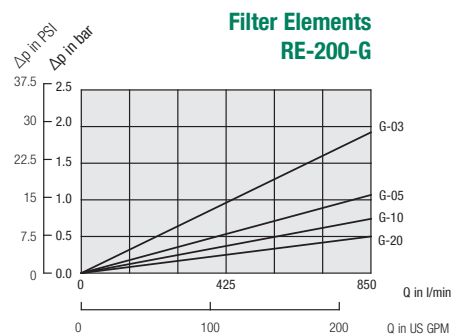
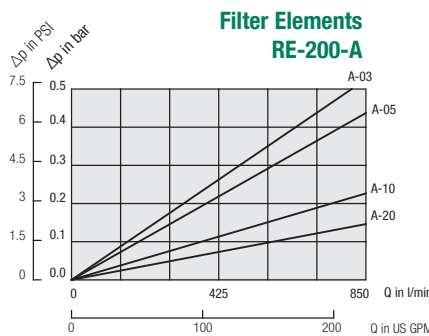
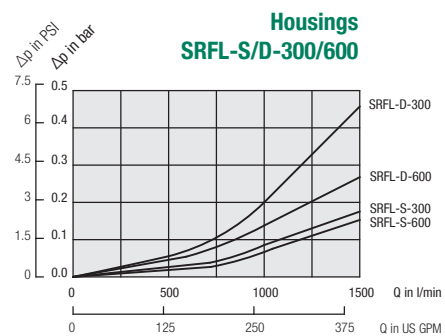
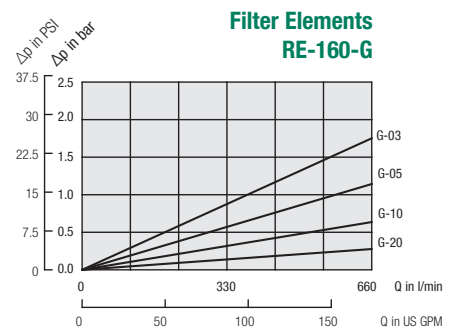
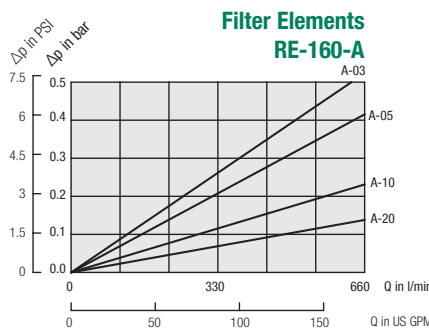
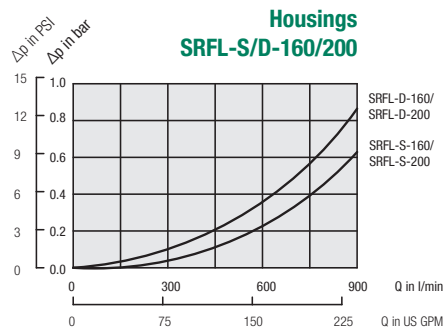
- 5 VA AC/DC



**In-Line Filters ■ Type SRFL-S / D Flow Characteristics**

The following characteristics are valid for mineral oils with a density of 0,85 kg/dm<sup>3</sup> and the kinematic viscosity of 30 mm<sup>2</sup>/s (30cSt). The characteristics have been determined in accordance to ISO 3968. Multipass filter ratings have been obtained in accordance to ISO 16889. The housing pressure drop is directly proportional to the oil density. Contact STAUFF for details.

E



**Pressure drop of housing including filter elements**

General:  $\Delta p_{total} = \Delta p_{housing} + \Delta p_{Element} \times (\text{operating viscosity [mm}^2\text{/s]} / 30\text{mm}^2\text{/s})$

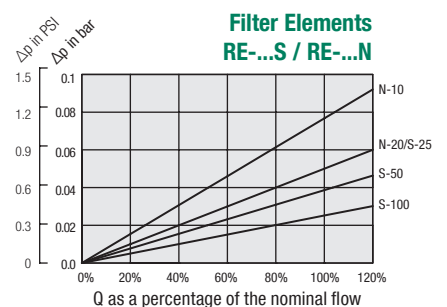
with  $\Delta p_{housing}$  = See diagrams above

$\Delta p_{Element}$  = pressure drop of element at a flow Q/n (at a viscosity of 30 mm<sup>2</sup>/s and n = numbers of elements as listed in ordering code filter elements see page 140 and diagrams above.)

**Example**

Data given  $Q_{max}$  = 6000 l/min / 1585 US GPM, SRFL-D-2400 with filter elements RE-600-S-25-B;  
 operating viscosity = 100 mm<sup>2</sup>/s  
 $Q_{max}$  = 6000 l/min; n=4 elements (SRFL-D-2400) Q/n=1500 l/min / 396 gal  
 $\Delta p_{housing}$  = 0,35 bar / 5.07 PSI,  $\Delta p_{Element}$  = 0,03 bar / 0.44 PSI

Pressure drop:  $\Delta p_{total} = 0,35 \text{ bar} + 0,03 \text{ bar} \times (100 \text{ mm}^2\text{/s} / 30\text{mm}^2\text{/s})$   
 = 0,45 bar / 6.53 PSI



**In-Line Filters ■ Type SRFL-SW**

**E**
**Product Description**

STAUFF In-Line Filters SRFL-SW are specially developed for direct installation into the pipelines of industrial water cycles. Depending on their size, SRFL-SW filter housings are suitable for nominal flow rates up to 13330 l/min / 3521 US GPM at a maximum operating pressure of 16 bar / 232 PSI. The SRFL-SW have been designed to be used in the steel industry for pre-filtering or coarse filtering in descaling plants. For use with demineralised water we recommend the In-Line Filters SRFL-SW in Stainless Steel. The filter element construction as a Stainless Steel basket screen filter ensures a long service life.

**Technical Data**
**Construction**

- Designed for direct installation into pipelines
- Simplex version, Duplex on request

**Materials**

- Filter housing: Carbon Steel  
Stainless Steel (on request)
- Sealing: PTFE / NBR (Buna-N®)  
PTFE / FKM (Viton®)

**Port Connections**

- ANSI or DIN flange

**Operating Pressure**

- Max. 16 bar / 232 PSI

**Flow Rating**

- Max. 13330 l/min / 3521 US GPM

**Temperature Range**

- -10 °C ... +100 °C / +14 °F ... +212 °F

**Media Compatibility**

- Water
- Coolant
- Others on request

**Options and Accessories**
**Filter Elements**

Stainless Steel basket screen filters from STAUFF's REL product line are used as filter elements, which are designed for flow from the inside to the outside. The filter elements are available in micron ratings between 50 µm and 200 µm. Solid particles collected in the basket are prevented from reaching the clean side of the water cycle when being replaced.

**Clogging Indicator**

- Differential Pressure Gauge
- visual / electrical / visual-electrical (see page 54)

**Drain Valve**

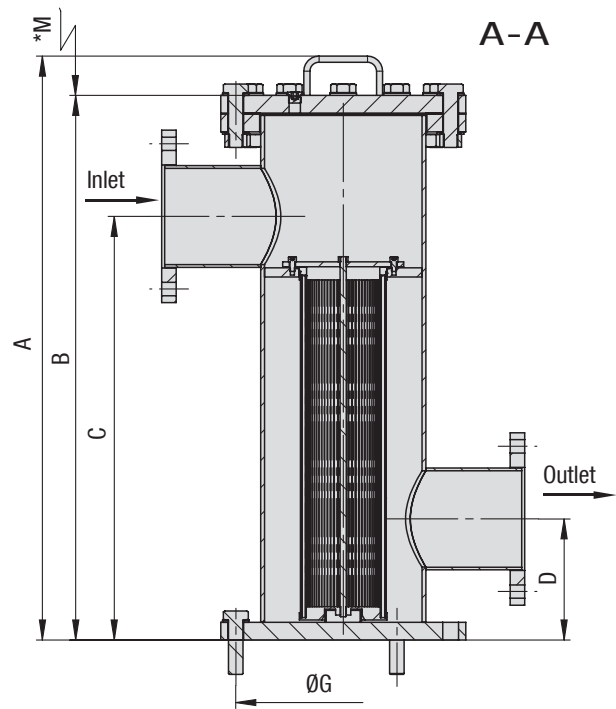
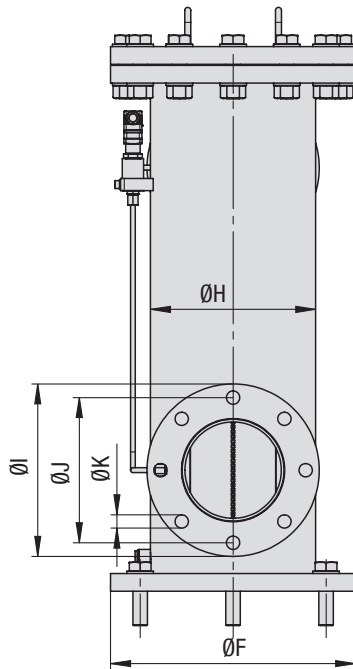
- Available as an option: Integrated into the filter housing



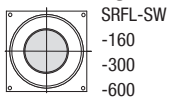
In-Line Filters ■ Type SRFL-SW-160 /-300 /-600

Version with handle

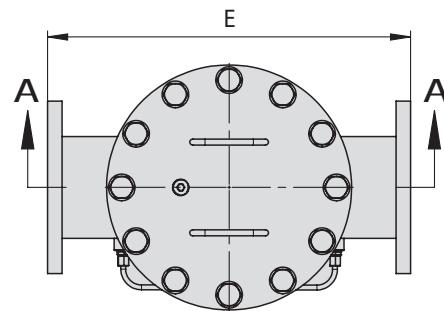
\* recommended space for element change



Detail arrangement of filter elements



Flange Connection	Filter Size SRFL-SW		
	160	300	600
DIN	DN80	DN100	DN150
	DN50	DN125	-
ANSI	2	4	6
	3	5	-



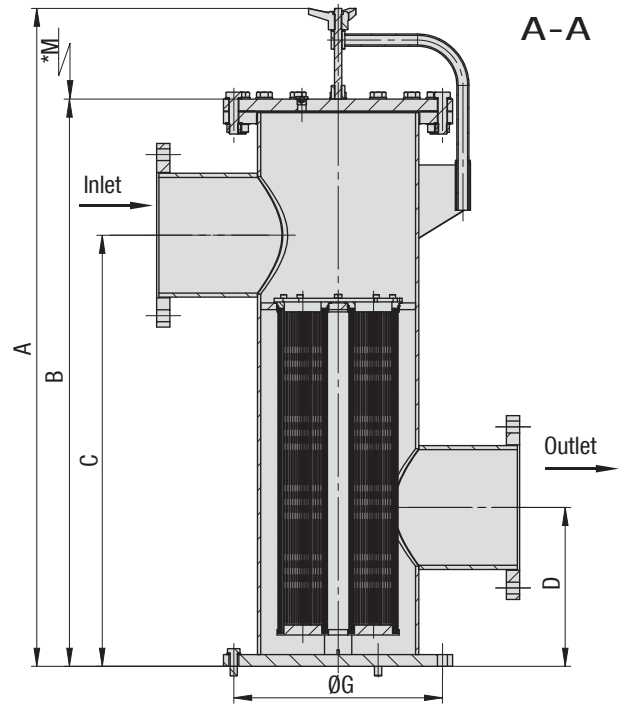
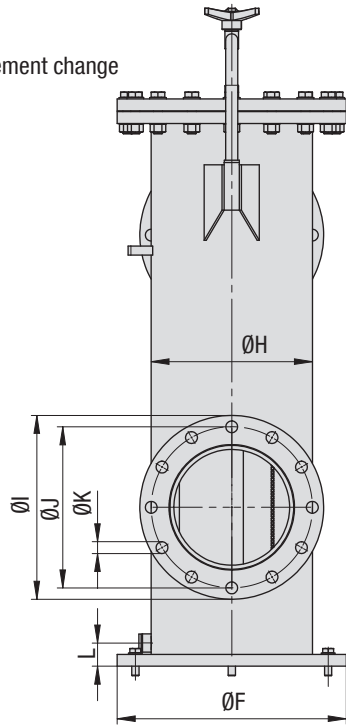
Dimensions (mm/in)	Filter Size SRFL-SW		
	160	300	600
Filter Housing Material	CS/SS	CS/SS	CS/SS
A	840 33.07	965 38.00	965 38.00
B	775 30.51	900 35.43	900 35.43
C	600 23.62	700 27.56	700 27.56
D	250 9.84	200 7.87	200 7.87
E	440 17.32	500 19.69	600 23.62
ØF	340 13.39	340 13.39	405 15.94
ØG	295 11.61	295 11.61	355 13.98
ØH	219,1 8.63	219,1 8.63	273 10.75
ØI	200 7.87	220 8.66	285 11.22
ØJ	160 6.30	180 7.09	240 9.45
ØK	18 .71	18 .71	22 .87
M	400 15.75	650 25.60	650 25.60
Housing Capacity (l / US GPM)	26,2	31,3	52,9
	6.9	8.3	14
Filter Elements	Designation	REL-100	REL-150
	Quantity	1	1





**In-Line Filters ■ Type SRFL-SW-850 /-1000 /-1250**
**Version with lifting device**

\* recommended space for element change

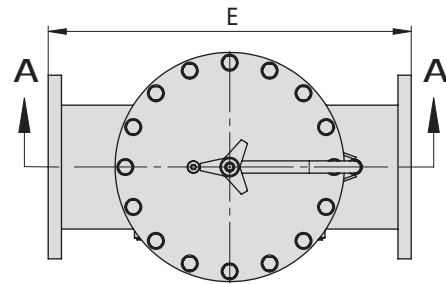

**Detail arrangement for filter elements**


SRFL-SW-850

SRFL-SW-1000

SRFL-SW-1250

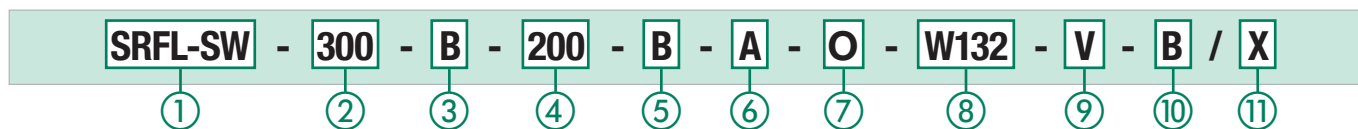
Flange Connection	Filter Size SRFL-SW		
	850	1000	1250
DIN	DN200 DN150	DN250	DN300
ANSI	8	10	12
	-	-	-



Dimensions (mm/in)	Filter Size SRFL-SW					
	850		1000		1250	
Filter Housing Material	CS	SS	CS	SS		
A	1154	1150	1442	1450	1950	
	45.43	45.28	56.77	57.09	76.77	
B	962	950	1250	1250	1740	
	37.87	37.40	49.21	49.21	68.50	
C	750	750	950	950	1400	
	29.53	29.53	37.40	37.40	55.12	
D	300	300	350	350	400	
	11.81	11.81	13.78	13.78	15.75	
E	700	700	800	800	1100	
	27.56	27.56	31.50	31.50	43.31	
ØF	520	505	520	505	640	
	20.47	19.88	20.47	19.88	25.20	
ØG	470	460	470	460	585	
	18.50	18.11	18.50	18.11	23.03	
ØH	355,6	355,6	355,6	355,6	508	
	14.00	14.00	14.00	14.00	20.00	
ØI	340	340	405	405	460	
	13.39	13.39	15.94	15.94	18.11	
ØJ	295	295	355	355	410	
	11.61	11.61	13.98	13.98	16.14	
ØK	22	22	26	26	26	
	.87	.87	1.02	1.02	1.02	
M	650	650	850	850	850	
	25.59	25.59	33.46	33.46	33.46	
L	55	51	55	51	82	
	2.17	2.01	2.17	2.01	3.23	
Housing Capacity (l / US GPM)	96,5	96,5	138,6	138,6	392	
	25,5	25,5	36,6	36,6	103,6	
Filter Elements	Designation	REL-150	REL-150	REL-250	REL-250	REL-250
	Quantity	2	2	3	3	5



In-Line Filter Housing / Complete Filters ■ Type SRFL-SW



① Type

In-Line Filter Simplex Water **SRFL-SW**

② Group

Flow	Size
650 l/min / 160 US GPM	<b>160</b>
1200 l/min / 300 US GPM	<b>300</b>
2500 l/min / 600 US GPM	<b>600</b>
6000 l/min / 1500 US GPM	<b>850</b>
8300 l/min / 2000 US GPM	<b>1000</b>
13330 l/min / 3300 US GPM	<b>1250</b>

③ Filter Material

Material	Micron Ratings Available	Code
Without filter element	-	<b>0</b>
Stainless mesh	50, 80, 100, 125, 200	<b>B</b>

④ Micron Rating

50 µm	<b>50</b>
80 µm	<b>80</b>
100 µm	<b>100</b>
125 µm	<b>125</b>
200 µm	<b>200</b>

Note: Other micron ratings on request.

⑤ Sealing Material

PTFE / NBR (Buna®)	<b>B</b>
PTFE / FKM (Viton®)	<b>V</b>

Note: Other sealing materials on request.

⑥ Connection Style

Connection Style	Group						Code
	160	300	600	850	1000	1250	
DIN flange	DN80	DN100	DN150	DN200	DN250	DN300	<b>D</b>
	DN50	DN125	-	DN150	-	-	<b>D1</b>
ANSI flange	2"	4"	6"	8"	10"	12"	<b>A</b>
	3"	5"	-	-	-	-	<b>A1</b>

⑦ Connection Location

Opposite side	<b>0</b>
---------------	----------

⑧ Housing Material

Carbon Steel	<b>W132</b>
Stainless Steel	<b>W4</b>

⑨ Clogging Indicator

Without Clogging Indicator	<b>0</b>
Differential Pressure Gauge	<b>V</b>

Note: Other clogging indicators on request.

⑩ Drain Valve

Closed	<b>0</b>
Ball Valve	<b>B</b>

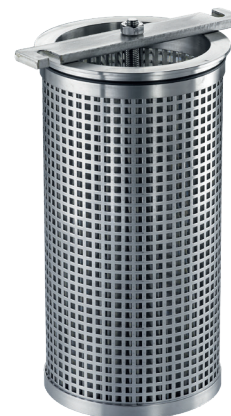
⑪ Design Code

Only for information	<b>X</b>
----------------------	----------

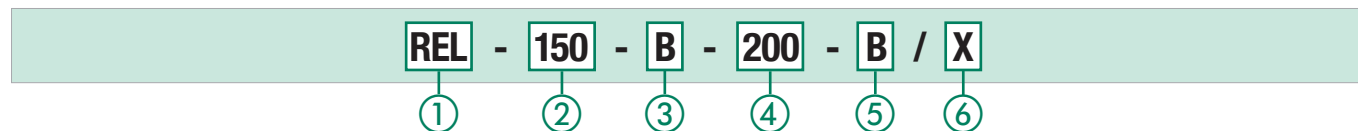
Filter Elements ■ Type REL

Product Description

Stainless Steel basket screen filters from STAUFF's REL product line are used as filter elements, which are designed for flow from the inside to the outside. Micron ratings ranging from 50 µm to 200 µm are available. Solid particles collected in the basket are prevented from reaching the clean side of the water cycle when being replaced. The filter element construction as a Stainless Steel basket screen filter ensures a long service life.



Order Code



① Type

Filter Element Series **REL**

② Group

Designation	Number of Filter Elements	Size
<b>REL-100</b>	1	160
<b>REL-150</b>	1	300
<b>REL-150</b>	1	600
<b>REL-150</b>	2	850
<b>REL-250</b>	3	1000
<b>REL-250</b>	5	1250

③ Filter Material

Material	Max. Δp*Collapse	Micron Ratings Available	Code
Stainless mesh	10 bar / 145 PSI	50, 80, 100, 125, 200	<b>B</b>

④ Micron Rating

50 µm	<b>50</b>
80 µm	<b>80</b>
100 µm	<b>100</b>
125 µm	<b>125</b>
200 µm	<b>200</b>

⑤ Sealing Material

NBR (Buna®)	<b>B</b>
FKM (Viton®)	<b>V</b>

⑥ Design Code

Only for information	<b>X</b>
----------------------	----------



### Differential Pressure Gauge

A visual clogging indicator, the function of which is based on the differential pressure between the contaminated and clean side of the filter elements, is available as an option, and enables a convenient determination of the condition of the basket filter.

#### Nominal Size

- 80 mm / 3.15 in

#### Range of Scale

- 0 ... 1 bar / 0 ... 14.5 PSI

#### Operating Pressure

- Max. 100 bar / 1450 PSI

#### Permissible Temperatures

- Ambient: 0 ... +60 °C / 0 ... +140 °F
- Media: up to +100 °C / +212 °F

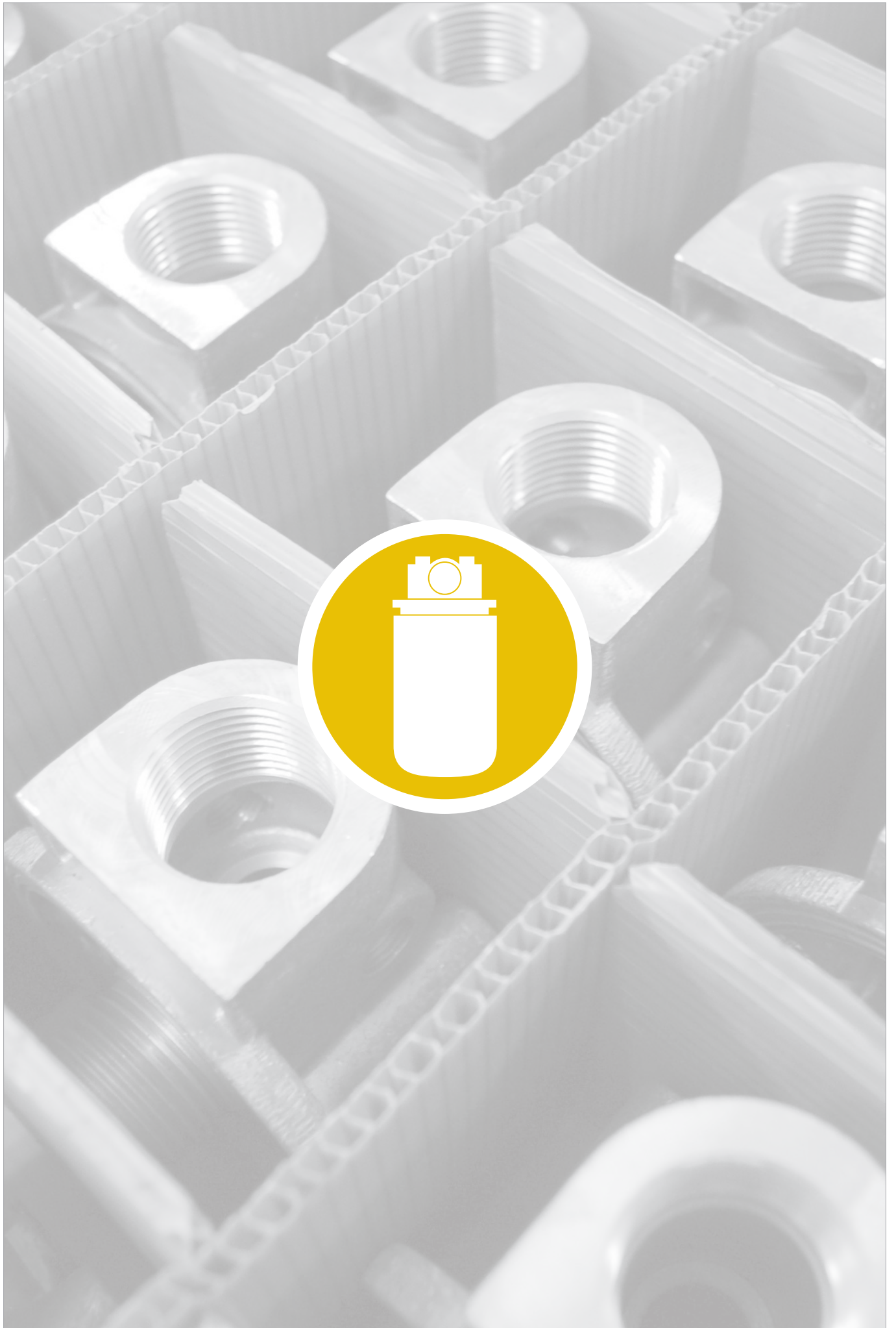
#### Material

- Housing: Die-cast Aluminium, black
- Sight glass: Acrylic
- Indicator: Aluminium, black

#### Protection Rating

- IP 54 protection rating: Dust protected and protected against splashing water






**Overview Spin-On Filters** 150

**Quick Reference Guide** 151  
 Spin-On Filter Heads  
 Spin-On Filter Elements

**Spin-On Filter Heads** 152 - 158


**SLF-02 / 03 / 04** 152  
 Max. 14 bar / 200 PSI  
 Max. 26 l/min / 7 US GPM


**SAF-05 / 06 / 07 / 11** 153  
 Max. 14 bar / 200 PSI  
 Max. 90 l/min / 25 US GPM


**SAF-10 / 13** 154  
 Max. 14 bar / 200 PSI  
 Max. 128 l/min / 34 US GPM


**SSF-12** 155  
 Max. 12 bar / 174 PSI  
 Max. 90 l/min / 25 US GPM


**SSF-20L** 156  
 Max. 12 bar / 174 PSI  
 Max. 225 l/min / 60 US GPM


**SSF-100 / 120 / 120L / 130 / 160** 157  
 Max. 14 bar / 200 PSI  
 Max. 225 l/min / 60 US GPM


**SSF-150 / 180** 158  
 Max. 14 bar / 200 PSI  
 Max. 300 l/min / 80 US GPM

**Double Spin-On Filter Heads** 159 - 163


**SSF-24B** 159  
 Max. 12 bar / 174 PSI  
 Max. 454 l/min / 120 US GPM


**SSF-24N / 24S** 160  
 Max. 12 bar / 174 PSI  
 Max. 454 l/min / 120 US GPM


**SSF-25B** 161  
 Max. 12 bar / 174 PSI  
 Max. 454 l/min / 120 US GPM


**SSF-25FM** 162  
 Max. 12 bar / 174 PSI  
 Max. 454 l/min / 120 US GPM


**SSF-25** 163  
 Max. 12 bar / 174 PSI  
 Max. 454 l/min / 120 US GPM

**Tank Top Spin-On Filter Heads** 164 - 167


**SSFT-12B** 164  
 Max. 7 bar / 100 PSI  
 Max. 75 l/min / 20 US GPM


**SSFT-12** 165  
 Max. 7 bar / 100 PSI  
 Max. 75 l/min / 20 US GPM


**SSFT-20B** 166  
 Max. 7 bar / 100 PSI  
 Max. 200 l/min / 53 US GPM


**SSFT-20** 167  
 Max. 7 bar / 100 PSI  
 Max. 200 l/min / 53 US GPM

**Spin-On Filter Elements** 168 - 173

**Overview Spin-On Filter Elements** 168


 SFC-35 / 36 169  
 SFCT-35 / 36


 SFC-57 / 58 170  
 SFCT-57 / 58


 SF-63 171


 SF-65 172


 SF-67 173

**Flow Characteristics** 174 - 176

 SFC/SFCT-35 / 36 174  
 SFC/SFCT-57 / 58  
 SF-63

SF-65 175

SF-67 176

**Clogging Indicators** 177


## Description

STAUFF provides a complete range of Spin-On Filters which can be used either as Suction-Line filters or as Return-Line filters for low pressure applications. The various ranges meet international standards.

### Material

- Filter head: Aluminium

### Media Compatibility

- Mineral oils, others on request

### Connections

- BSP
- NPT
- SAE flange
- SAE thread
- Other ports connections on request

### Operating Pressure

- Max. 14 bar / 200 PSI

### Temperature Range

- -30 °C ... +100 °C / -22 °F ... +212 °F

### Nominal Flow Rate

- Max. 460 l/min / 120 US GPM

## Options and Accessories

### Clogging Indicators

- Visual clogging indicator with coloured segments
- Electrical clogging switch
- Other types are available on request

### Private Labelling

- On request, the filter elements can be printed with a private label



Spin-On Filter Heads  
designed for in-line assembly



Spin-On Filter Heads  
designed for tank top assembly



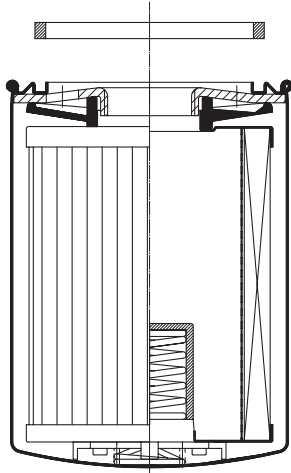
Spin-On Double Filter Heads  
designed for in-line assembly



Spin-On Filters ■ Quick Reference Guide

**Type A**

Spin-On Filter with seal contour A for filter elements with inner seal



**Type B**

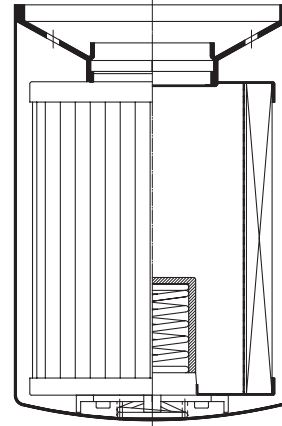
Spin-On Filter with seal contour B for filter elements with outer seal

Allowed seal types for Spin-On elements

Thin seal

Wide seal

L-shaped seal



F

Spin-On Filters Quick Reference Guide

Spin-On Filter Heads

Spin-On Filter Elements (see page ...)

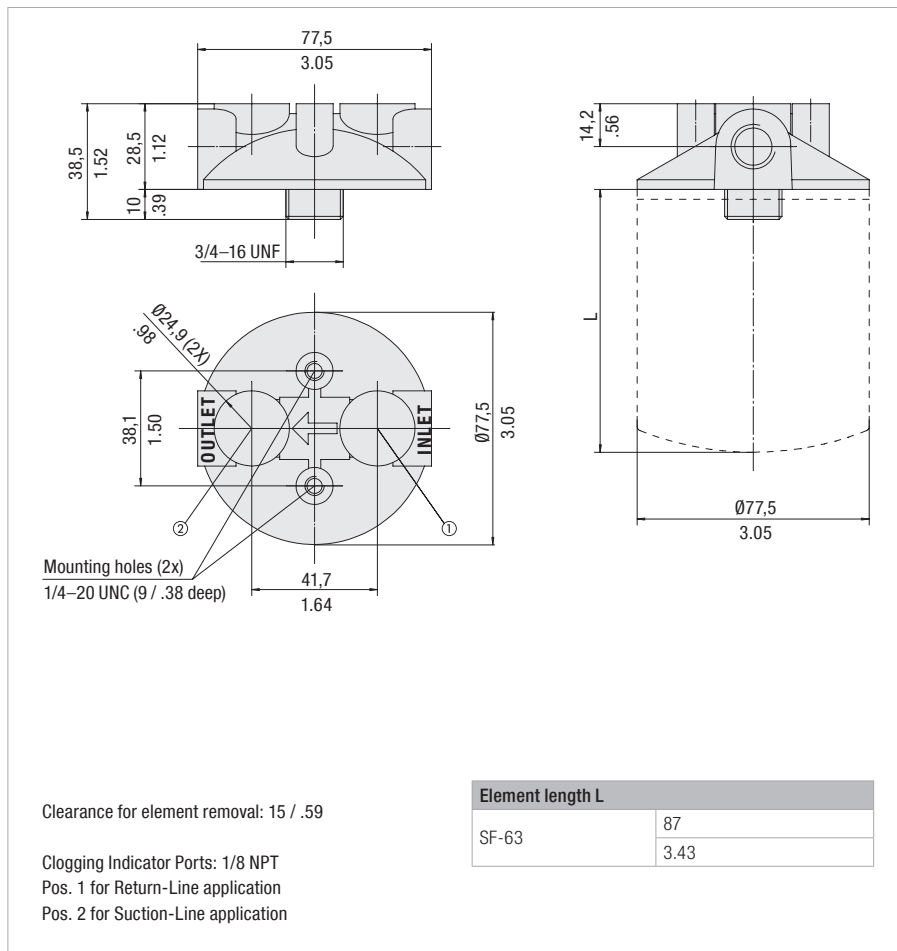
Series	Size	Port	Spigot	Max. Flow Rate*		Catalog Page	Seal Contour		SF-63	SF-65	SF-67	SFC-35 SFC-36	SFC-57 SFC-58	SFCT-35 SFCT-36	SFCT-57 SFCT-58
				l/min	US GPM		Type A	Type B							
SLF	02	1/4 NPT	3/4-16 UNF	19	5	152	x		171						
SLF	03	3/8 NPT	3/4-16 UNF	19	5	152	x		171						
SLF	04	9/16-18 UN	3/4-16 UNF	26	7	152	x		171						
SAF	05	1/2 NPT	1-12 UNF	57	15	153	x			172					
SAF	06	3/4-16 UN	1-12 UNF	57	15	153	x			172					
SAF	07	3/4 NPT	1-12 UNF	90	25	153	x			172					
SAF	11	1-1/16-12 UN	1-12 UNF	90	25	153	x			172					
SAF	10	1 NPT	1-12 UNF	128	34	154	x			172					
SAF	13	1-5/16-12 UN	1-12 UNF	128	34	154	x			172					
SSF	12	G3/4	G3/4	90	25	155	x					169			
SSF	20L	G1-1/4	G1-1/4 + 1-1/2-16 UN	225	60	156	x	x			173		170		
SSF	100	1 NPT	G1-1/4 + 1-1/2-16 UN	170	45	157	x	x			173		170		
SSF	120L	1-1/4 NPT	G1-1/4 + 1-1/2-16 UN	225	60	157	x	x			173		170		
SSF	120	1-1/4 NPT	G1-1/4 + 1-1/2-16 UN	225	60	157	x	x			173		170		
SSF	130	1-5/16-12 UN	G1-1/4 + 1-1/2-16 UN	225	60	157	x	x			173		170		
SSF	160	1-5/8-12 UN	G1-1/4 + 1-1/2-16 UN	225	60	157	x	x			173		170		
SSF	150	1-1/2 NPT	1-1/2-16 UN	300	80	158		x			173				
SSF	180	1-7/8-12 UN	1-1/2-16 UN	300	80	158		x			173				
SSF	24B	G1-1/2	G1-1/4 + 1-1/2-16 UN	454	120	159	x	x			173		170		
SSF	24N	1-1/2 NPT	G1-1/4 + 1-1/2-16 UN	454	120	160	x	x			173		170		
SSF	24S	1-7/8-12 UN	G1-1/4 + 1-1/2-16 UN	454	120	160	x	x			173		170		
SSF	25B	G1-1/2	G1-1/4	454	120	161	x	x			173		170		
SSF	25FM	1-1/2 SAE Flange	1-1/2-16 UN	454	120	162	x	x			173		170		
SSF	25	1-1/2 NPT and 2 SAE Flange	G1-1/4 + 1-1/2-16 UN	454	120	163	x	x			173		170		
SSFT	12B	G3/4	G3/4	75	20	164	x	x						169	
SSFT	12	3/4 NPT	G3/4	75	20	165	x	x						169	
SSFT	20B	G1-1/2	G1-1/4 + 1-1/2-16 UN	200	53	166	x								170
SSFT	20	1-1/2 NPT	G1-1/4 + 1-1/2-16 UN	200	53	167	x								170

\* Note: Reflects nominal flow rate for Return-Line application. Actual flow rate will depend on selected element and the viscosity of the fluid.



Spin-On Filter Heads ■ SLF-02 / 03 / 04

Dimensions



Dimensions in mm / in

Technical Data

Construction

- In-line Spin-On filter head

Material

- Aluminium

Port Connections

- NPT
- SAE O-ring thread

Flow Rate

- 26 l/min / 7 US GPM for Return-Line application
- 7 l/min / 2 US GPM for Suction-Line application

Operating Pressure

- Max. 14 bar / 200 PSI
- Max. 5,5 bar / 80 PSI differential pressure (for any application without bypass valve)

Temperature Range

- -30 °C ... +100 °C / -22 °F ... +212 °F

Media Compatibility

- Mineral oils, other fluids on request

Options and Accessories



Filter Elements

- For use with SF-63 series elements
- For element types with seal contour type A
- For element types and flow characteristics see page 174
- The element is not part of the scope of delivery

Order Code

SLF - 02 - 0

①                      ②                      ③

① Type

Spin-On Filter Head	SLF
---------------------	-----

② Connection Style

Connection	Thread	Code
NPT	1/4	02
NPT	3/8	03
SAE	9/16-18	04

③ Clogging Indicator Port Options

No clogging indicator port	0
Special	9

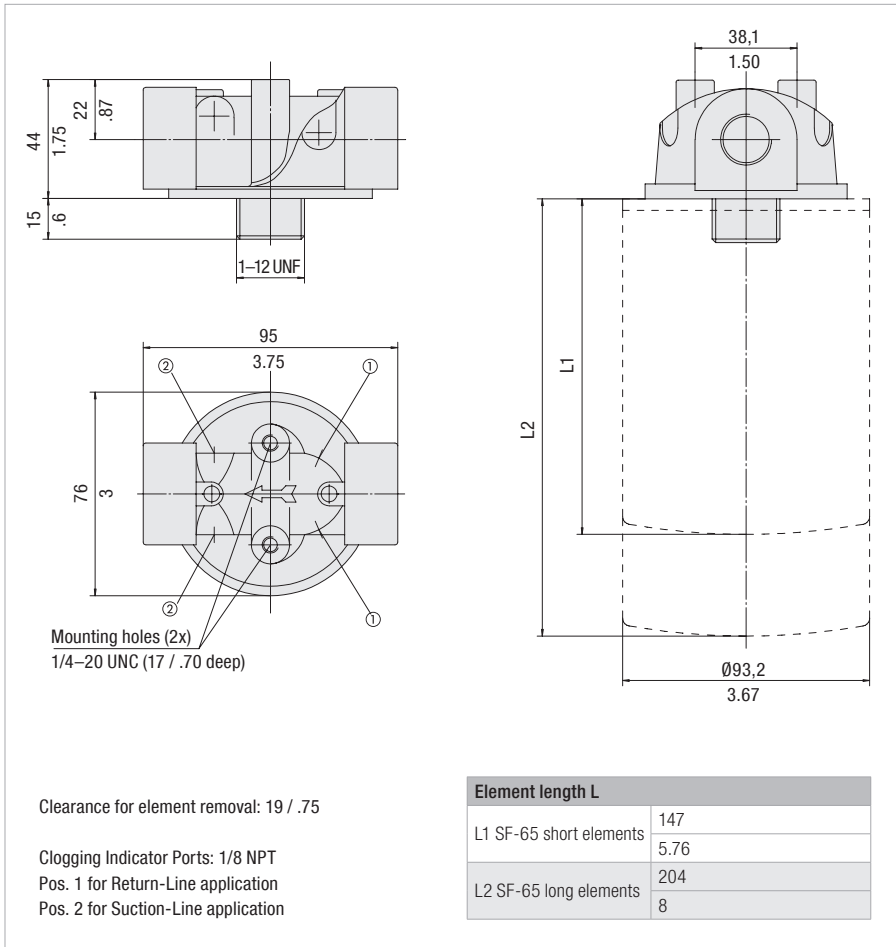
Note: Standard clogging indicator port is 1/8 NPT.





## Spin-On Filter Heads ■ SAF-05 / 06 / 07 / 11

## Dimensions



## Technical Data

## Construction

- In-line Spin-On filter head

## Material

- Aluminium

## Port Connections

- NPT
- SAE O-ring thread

## Flow Rate

- 90 l/min / 25 US GPM for Return-Line application
- 23 l/min / 6 US GPM for Suction-Line application

## Operating Pressure

- Max. 14 bar / 200 PSI
- Max. 5,5 bar / 80 PSI differential pressure (for any application without bypass valve)

## Temperature Range

- -30 °C ... +100 °C / -22 °F ... +212 °F

## Media Compatibility

- Mineral oils, other fluids on request

## Options and Accessories



## Filter Elements

- For use with SF-65 series elements
- For element types with seal contour type A
- For element types and flow characteristics see page 175
- The element is not part of the scope of delivery

## Valve

- Bypass valve (integrated in the head): Optional

## Clogging Indicators

- For clogging indicator types see page 177

## Order Code

SAF - 07 - B1.7 - O

1    2    3    4

## ① Type

Spin-On Filter Head **SAF**

## ② Connection Style

Connection	Thread	Code
NPT	1/2	<b>05</b>
SAE	3/4-16	<b>06</b>
NPT	3/4	<b>07</b>
SAE	1-1/16-12	<b>11</b>

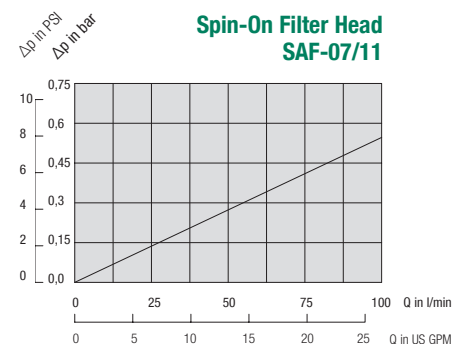
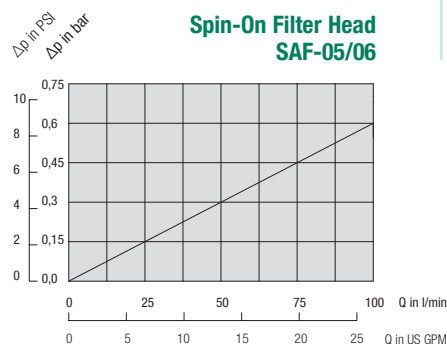
## ③ Bypass Options

No bypass	<b>0</b>
0,2 bar / 3 PSI	<b>B0.2</b>
0,35 bar / 5 PSI	<b>B0.35</b>
1 bar / 15 PSI	<b>B1.0</b>
1,7 bar / 25 PSI	<b>B1.7</b>

## ④ Clogging Indicator Port Options

No clogging indicator port	<b>0</b>
Clogging indicator port drilled for Return-Line application	<b>1</b>
Clogging indicator port drilled for Suction-Line application	<b>2</b>
All clogging indicator ports drilled	<b>4</b>
Special	<b>9</b>

Note: Standard clogging indicator port is 1/8 NPT.



## Spin-On Filter Heads ■ SAF-10 / 13



### Technical Data

#### Construction

- In-line Spin-On filter head

#### Material

- Aluminium

#### Port Connections

- NPT
- SAE O-ring thread

#### Flow Rate

- 128 l/min / 34 US GPM for Return-Line application
- 30 l/min / 8 US GPM for Suction-Line application

#### Operating Pressure

- Max. 14 bar / 200 PSI
- Max. 5,5 bar / 80 PSI differential pressure (for any applicaton without bypass valve)

#### Temperature Range

- -30 °C ... +100 °C / -22 °F ... +212 °F

#### Media Compatibility

- Mineral oils, other fluids on request

### Options and Accessories



#### Filter Elements

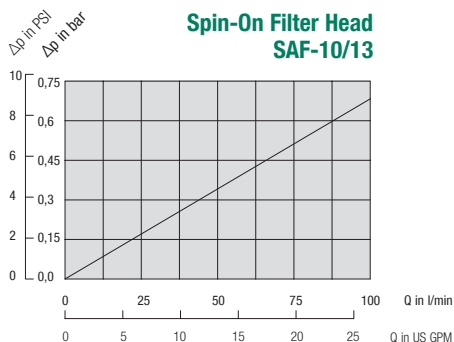
- For use with SF-65 series elements
- For element types with seal contour type A
- For element types and flow characteristics see page 175
- The element is not part of the scope of delivery

#### Valve

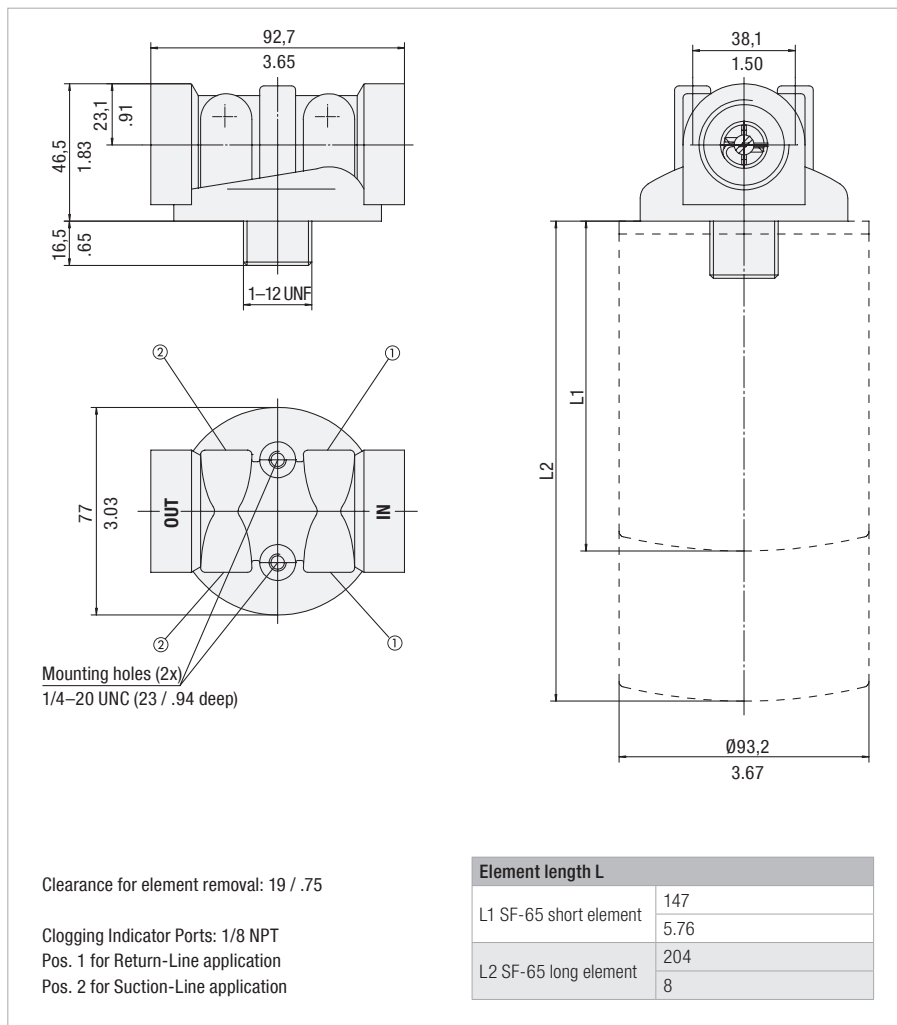
- Bypass valve (integrated in the filter head): Optional

#### Clogging Indicators

- For clogging indicator types see page 177



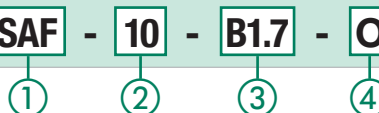
### Dimensions



Dimensions in mm / in

### Order Code

**SAF - 10 - B1.7 - O**



#### ① Type

Spin-On Filter Head **SAF**

#### ② Connection Style

Connection	Thread	Code
NPT	1	<b>10</b>
SAE	1-5/16-12	<b>13</b>

#### ③ Bypass Options

No bypass	<b>0</b>
0,2 bar / 3 PSI	<b>B0.2</b>
0,35 bar / 5 PSI	<b>B0.35</b>
1 bar / 15 PSI	<b>B1.0</b>
1,7 bar / 25 PSI	<b>B1.7</b>

#### ④ Clogging Indicator Port Options

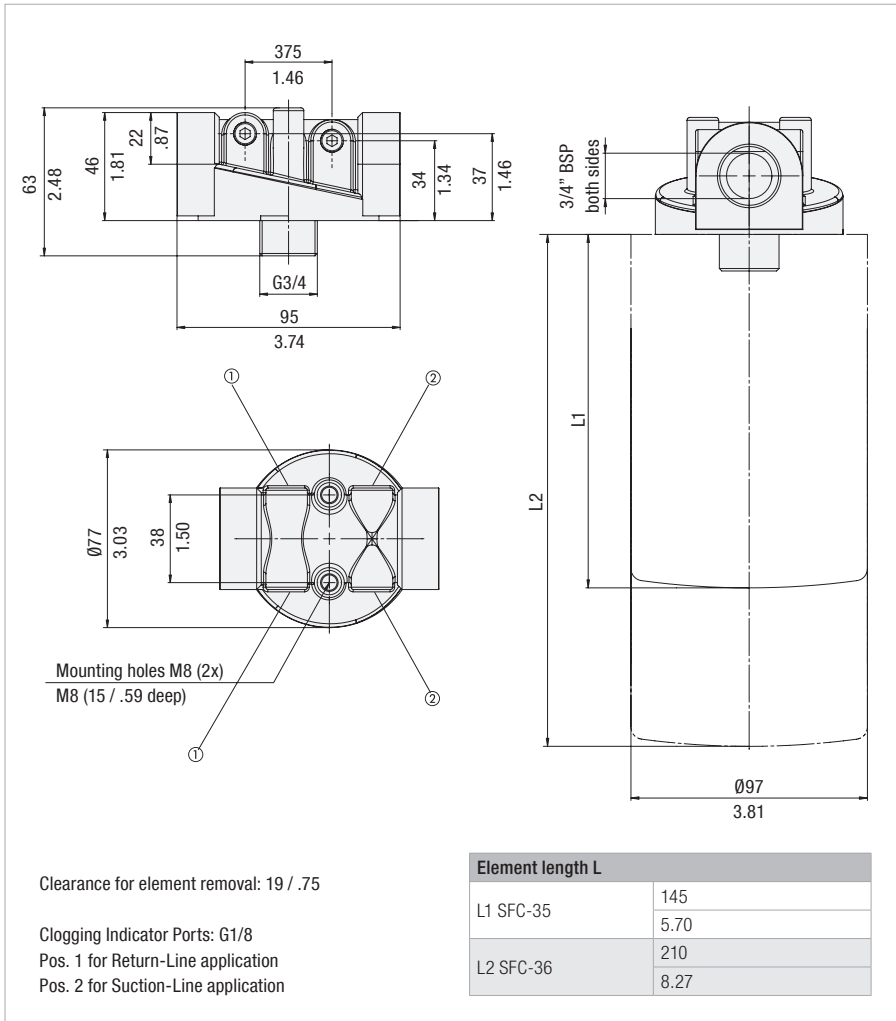
No clogging indicator port	<b>0</b>
Clogging indicator port drilled for Return-Line application	<b>1</b>
Clogging indicator port drilled for Suction-Line application	<b>2</b>
All clogging indicator ports drilled	<b>4</b>
Special	<b>9</b>

Note: Standard clogging indicator port is 1/8 NPT.



## Spin-On Filter Heads ■ SSF-12

## Dimensions



Dimensions in mm / in



## Technical Data

**Construction**

- In-line Spin-On filter head

**Material**

- Aluminium

**Port Connections**

- BSP

**Flow Rate**

- 90 l/min / 25 US GPM for Return-Line application
- 23 l/min / 6 US GPM for Suction-Line application

**Operating Pressure**

- Max. 12 bar / 174 PSI
- Max. 5 bar / 72.5 PSI differential pressure (for any applicaton without bypass valve)

**Temperature Range**

- -30 °C ... +100 °C / -22 °F ... +212 °F

**Media Compatibility**

- Mineral oils, other fluids on request

## Options and Accessories


**Filter Elements**

- For use with SFC-35/36 series elements
- For element types with seal contour type A
- For element types and flow characteristics see page 174
- The element is not part of the scope of delivery

**Valve**

- Bypass valve (integrated in the filter head): Optional

**Clogging Indicators**

- For clogging indicator types see page 177

## Order Code

SSF - 
 12 - 
 B1.7 - 
 4 / 
 X

## ① Type

 Spin-On Filter Head **SSF**

## ② Connection Style

Connection	Thread	Code
BSP	3/4	<b>12</b>

## ③ Bypass Options

No bypass	<b>0</b>
0,2 bar / 3 PSI	<b>B0.2</b>
1,7 bar / 25 PSI	<b>B1.7</b>

Note: Other settings available on request.

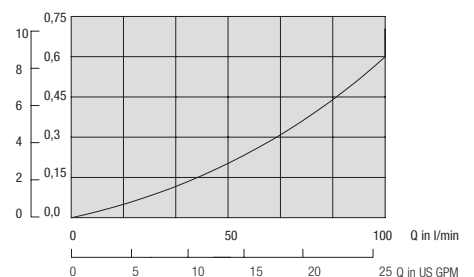
## ④ Clogging Indicator Port Options

All clogging indicator ports drilled	<b>4</b>
Special	<b>9</b>

Note: Standard clogging indicator port is G1/8.

## ⑤ Design Code

Only for information	<b>X</b>
----------------------	----------

 Spin-On Filter Head  
SSF-12


Spin-On Filter Heads ■ SSF-20L



Technical Data

Construction

- In-line Spin-On filter head

Material

- Aluminium

Port Connections

- BSP

Flow Rate

- 225 l/min / 60 US GPM for Return-Line application
- 46 l/min / 12 US GPM for Suction-Line application

Operating Pressure

- Max. 12 bar / 174 PSI
- Max. 5 bar / 72.5 PSI differential pressure (for any application without bypass valve)

Temperature Range

- -30 °C ... +100 °C / -22 °F ... +212 °F

Media Compatibility

- Mineral oils, other fluids on request

Options and Accessories



Filter Elements

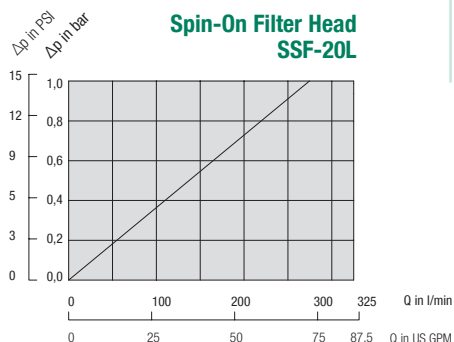
- For use with SF-67 and SFC-57/58 series elements
- For element types with seal contour type A and B
- For element types and flow characteristics see page 176 for SF-67 and page 174 for SFC-57/58.
- The element is not part of the scope of delivery

Valve

- Bypass valve (integrated in the filter head): Optional

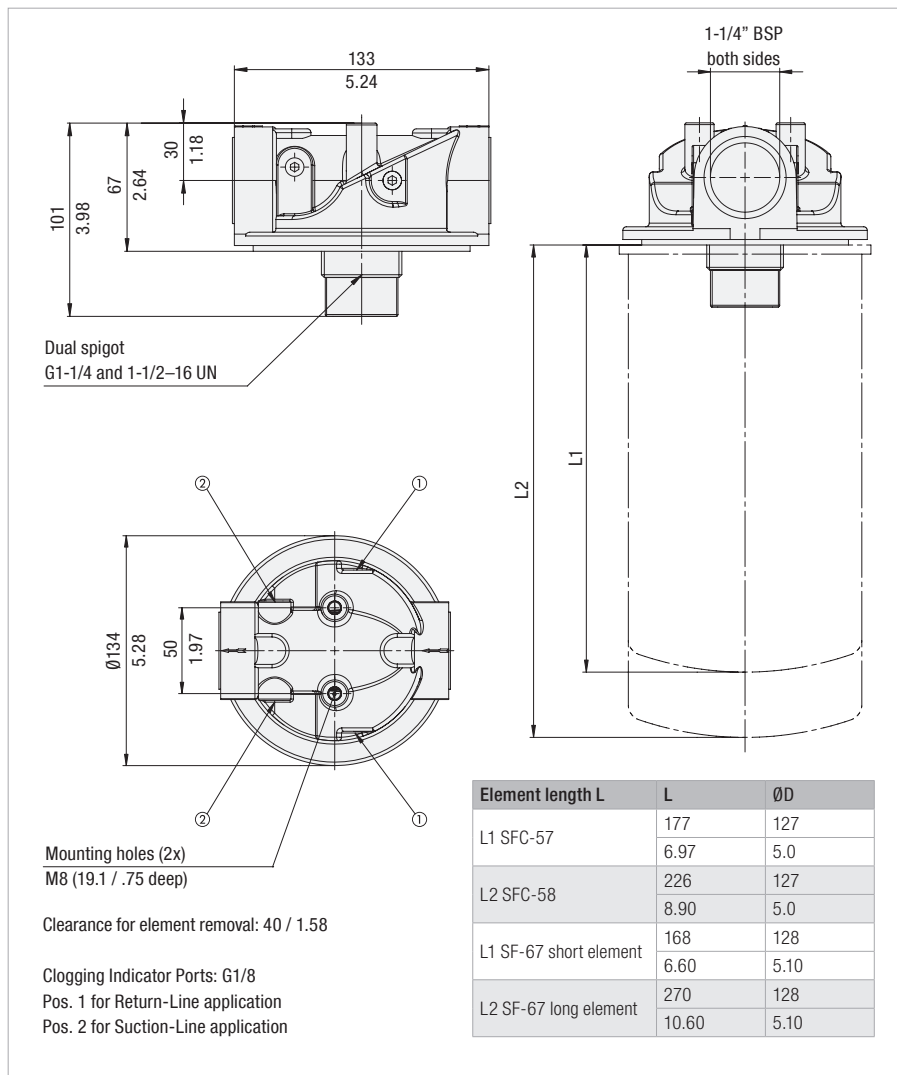
Clogging Indicators

- For clogging indicator types see page 177



Spin-On Filter Head SSF-20L

Dimensions



Dimensions in mm / in

Order Code

**SSF - 20L - B1.7 - 4 / X**

①      ②      ③      ④      ⑤

① Type

Spin-On Filter Head **SSF**

② Connection Style

Connection	Thread	Code
BSP	1-1/4	<b>20L</b>

③ Bypass Options

No bypass	<b>0</b>
0,2 bar / 3 PSI	<b>B0.2</b>
1,7 bar / 25 PSI	<b>B1.7</b>

Note: Other settings available on request.

④ Clogging Indicator Port Options

All clogging indicator ports drilled	<b>4</b>
Special	<b>9</b>

Note: Standard clogging indicator port for is G1/8.

⑤ Design Code

Only for information	<b>X</b>
----------------------	----------



**Spin-On Filter Heads ■ SSF-100 / 120 / 120L / 130 / 160**
**Dimensions**

93.5  
3.68  
61  
2.4  
28  
1.10  
47.5  
1.87

Dual spigot  
G1-1/4 and  
1-1/2-16 UN

133  
5.24

L2  
L1  
ØD

Ø133  
5.24

Mounting holes (2x)  
5/16-18 UNC  
(19 / .75 deep)

Clearance for element removal: 40 / 1.58

Clogging Indicator Ports: 1/8 NPT  
Pos. 1 for Return-Line application  
Pos. 2 for Suction-Line application

Element length L	L	ØD
L1 SFC-57	177	127
	6.97	5.0
L2 SFC-58	226	127
	8.90	5.0
L1 SF-67 short element	168	128
	6.60	5.10
L2 SF-67 long element	270	128
	10.60	5.10

Dimensions in mm / in


**Technical Data**
**Construction**

- In-line Spin-On filter head

**Material**

- Aluminium

**Port Connections**

- NPT
- SAE O-ring thread

**Flow Rate**

- 225 l/min / 60 US GPM for Return-Line application
- 46 l/min / 12 US GPM for Suction-Line application

**Operating Pressure**

- Max. 12 bar / 174 PSI
- Max. 5 bar / 72.5 PSI differential pressure  
(for any application without bypass valve)

**Temperature Range**

- -30 °C ... +100 °C / -22 °F ... +212 °F

**Media Compatibility**

- Mineral oils, other fluids on request

**Options and Accessories**

**Filter Elements**

- For use with SF-67 and SFC-57/58 series elements
- For element types with seal contour type A and B
- For element types and flow characteristics see page 176 for SF-67 and page 174 for SFC-57/58.
- The element is not part of the scope of delivery

**Valve**

- Bypass valve (integrated in the filter head): Optional

**Clogging Indicators**

- For clogging indicator types see page 177

**Order Code**

**SSF - 120 - B1.7 - O**

①      ②      ③      ④

**① Type**

Spin-On Filter Head      **SSF**

**② Connection Style**

Connection	Thread	Code
NPT	1	<b>100</b>
NPT	1-1/4	<b>120L</b>
NPT	1-1/2	<b>120</b>
SAE	1-5/16-12	<b>130</b>
SAE	1-5/8-12	<b>160</b>

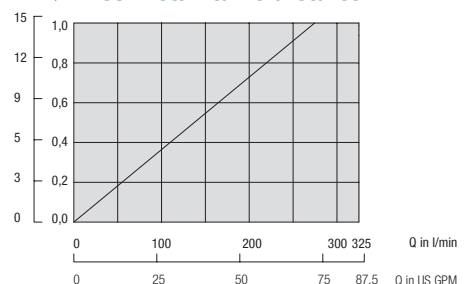
**③ Bypass Options**

No bypass	<b>0</b>
0,2 bar / 3 PSI	<b>B0.2</b>
0,35 bar / 5 PSI	<b>B0.35</b>
1 bar / 15 PSI	<b>B1.0</b>
1,7 bar / 25 PSI	<b>B1.7</b>

**④ Clogging Indicator Port Options**

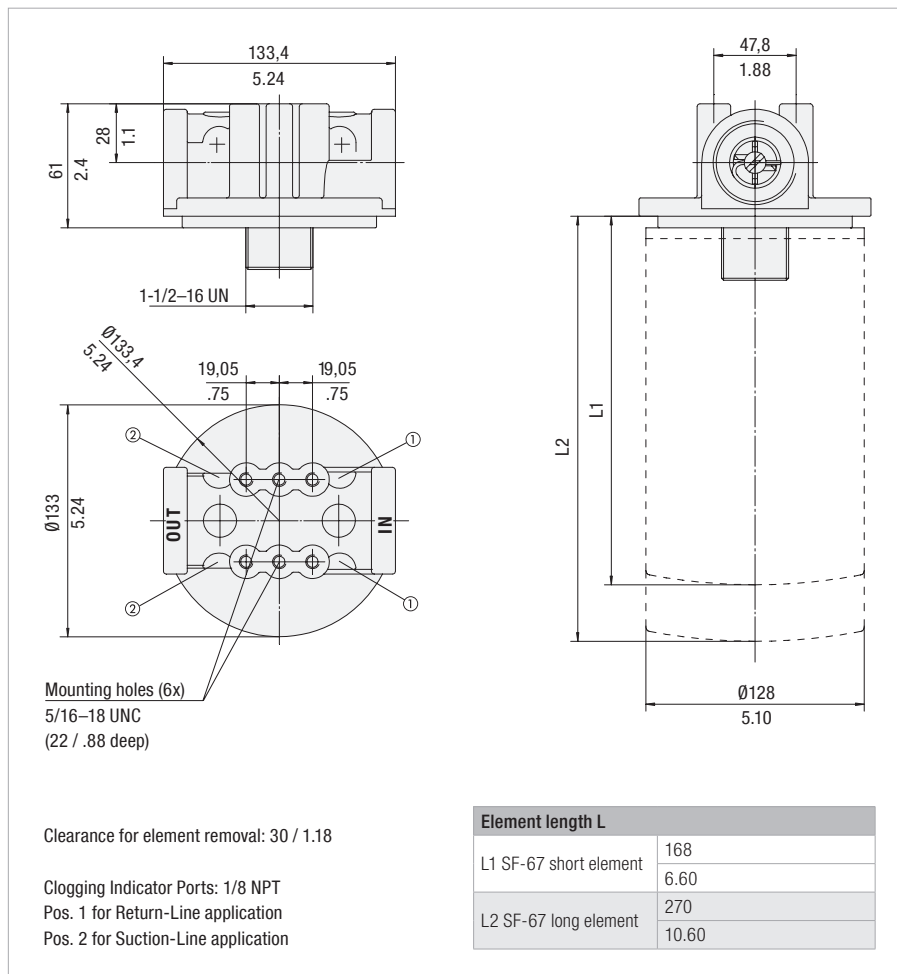
No clogging indicator port	<b>0</b>
Clogging indicator port drilled for Return-Line application	<b>1</b>
Clogging indicator port drilled for Suction-Line application	<b>2</b>
All clogging indicator ports drilled	<b>4</b>
Special	<b>9</b>

Note: Standard clogging indicator port is 1/8 NPT.

**Spin-On Filter Head  
SSF-100/120/120L/130/160**


Spin-On Filter Heads ■ SSF-150 / 180

Dimensions



Dimensions in mm / in

Technical Data

Construction

- In-line Spin-On filter head

Material

- Aluminium

Port Connections

- NPT
- SAE O-ring thread

Flow Rate

- 300 l/min / 80 US GPM for Return-Line application
- 113 l/min / 30 US GPM for Suction-Line application

Operating Pressure

- Max. 14 bar / 200 PSI
- Max. 5,5 bar / 80 PSI differential pressure (for any applicaton without bypass valve)

Temperature Range

- -30 °C ... +100 °C / -22 °F ... +212 °F

Media Compatibility

- Mineral oils, other fluids on request

Options and Accessories



Filter Elements

- For use with SF-67 series elements
- For element types with seal contour type B
- For element types and flow characteristics see page 176
- The element is not part of the scope of delivery

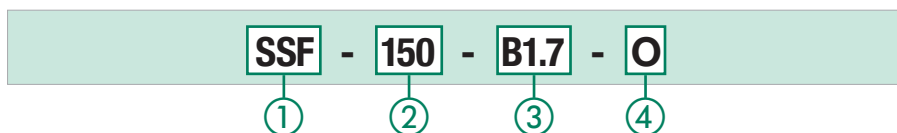
Valve

- Bypass valve (integrated in the filter head): Optional

Clogging Indicators

- For clogging indicator types see page 177

Order Code



① Type

Spin-On Filter Head **SSF**

② Connection Style

Connection	Thread	Code
NPT	1-1/2	<b>150</b>
SAE	1-7/8-12	<b>180</b>

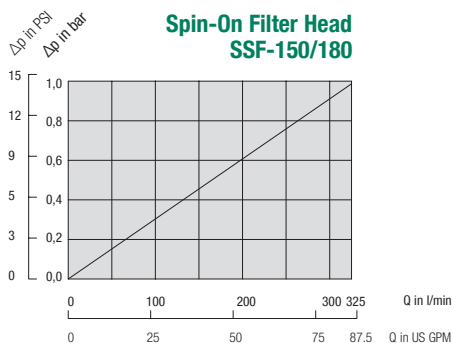
③ Bypass Options

No bypass	<b>0</b>
0,2 bar / 3 PSI	<b>B0.2</b>
0,35 bar / 5 PSI	<b>B0.35</b>
1 bar / 15 PSI	<b>B1.0</b>
1,7 bar / 25 PSI	<b>B1.7</b>

④ Clogging Indicator Port Options

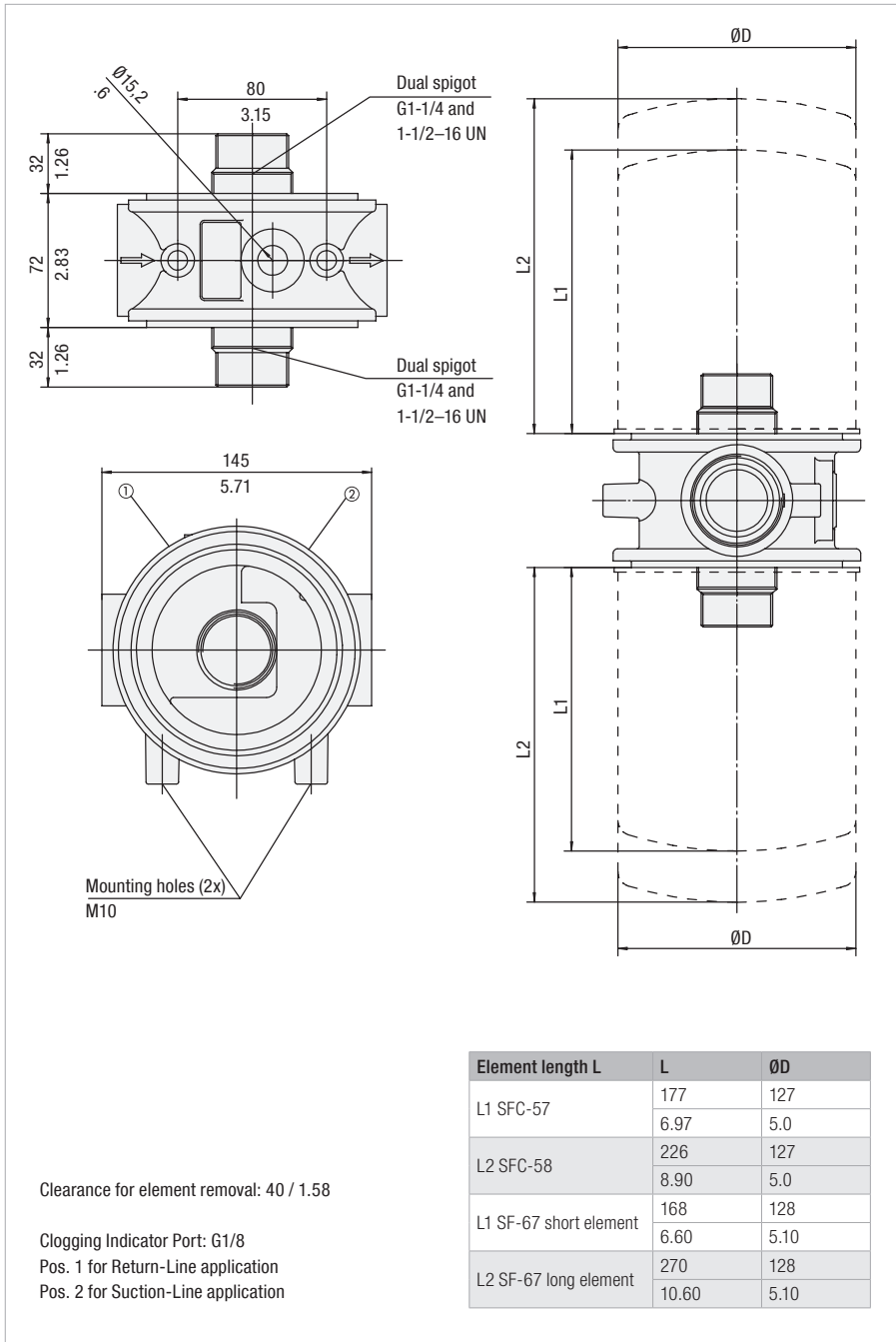
No clogging indicator port	<b>0</b>
Clogging indicator port drilled for Return-Line application	<b>1</b>
Clogging indicator port drilled for Suction-Line application	<b>2</b>
All clogging indicator ports drilled	<b>4</b>
Special	<b>9</b>

Note: Standard clogging indicator port is 1/8 NPT.



## Double Spin-On Filter Heads ■ SSF-24B

## Dimensions



Dimensions in mm / in



## Technical Data

## Construction

- In-line Double Spin-On filter head

## Material

- Aluminium

## Port Connections

- BSP

## Flow Rate

- 454 l/min / 120 US GPM for Return-Line application
- 132 l/min / 35 US GPM for Suction-Line application

## Operating Pressure

- Max. 12 bar / 174 PSI
- Max. 5 bar / 72.5 PSI differential pressure (for any application without bypass valve)

## Temperature Range

- -30 °C ... +100 °C / -22 °F ... +212 °F

## Media Compatibility

- Mineral oils, other fluids on request

## Options and Accessories



## Filter Elements

- For use with SF-67 and SFC-57/58 series elements
- For element types with seal contour type A and B
- For element types and flow characteristics see page 176 for SF67 and page 174 for SFC-57/58
- The element is not part of the scope of delivery

## Valve

- Bypass valve (integrated in the head): Optional

## Clogging Indicators

- For clogging indicator types see page 177

## Order Code

**SSF - 24B - B1.7 - 4**

①

②

③

④

## ① Type

 Double Spin-On Filter Head **SSF**

## ② Connection Style

Connection	Thread	Code
BSP	1-1/2	<b>24B</b>

## ③ Bypass Options

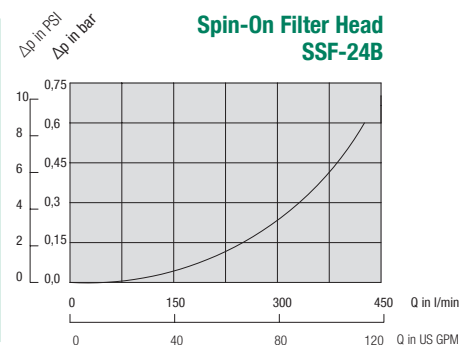
No bypass	<b>0</b>
0,2 bar / 3 PSI	<b>B0.2</b>
1,7 bar / 25 PSI	<b>B1.7</b>

Note: Other settings available on request.

## ④ Clogging Indicator Port Options

All clogging indicator ports drilled	<b>4</b>
Special	<b>9</b>

Note: Standard clogging indicator port is G1/8.



## Double Spin-On Filter Heads ■ SSF-24N / 24S

### Dimensions



### Technical Data

#### Construction

- In-line Double Spin-On filter head

#### Material

- Aluminium

#### Port Connections

- NPT
- SAE flange
- SAE O-ring thread

#### Flow Rate

- 454 l/min / 120 US GPM for Return-Line application
- 132 l/min / 35 US GPM for Suction-Line application

#### Operating Pressure

- Max. 12 bar / 174 PSI
- Max. 5 bar / 72.5 PSI differential pressure (for any applicaton without bypass valve)

#### Temperature Range

- -30 °C ... +100 °C / -22 °F ... +212 °F

#### Media Compatibility

- Mineral oils, other fluids on request

### Options and Accessories



#### Filter Elements

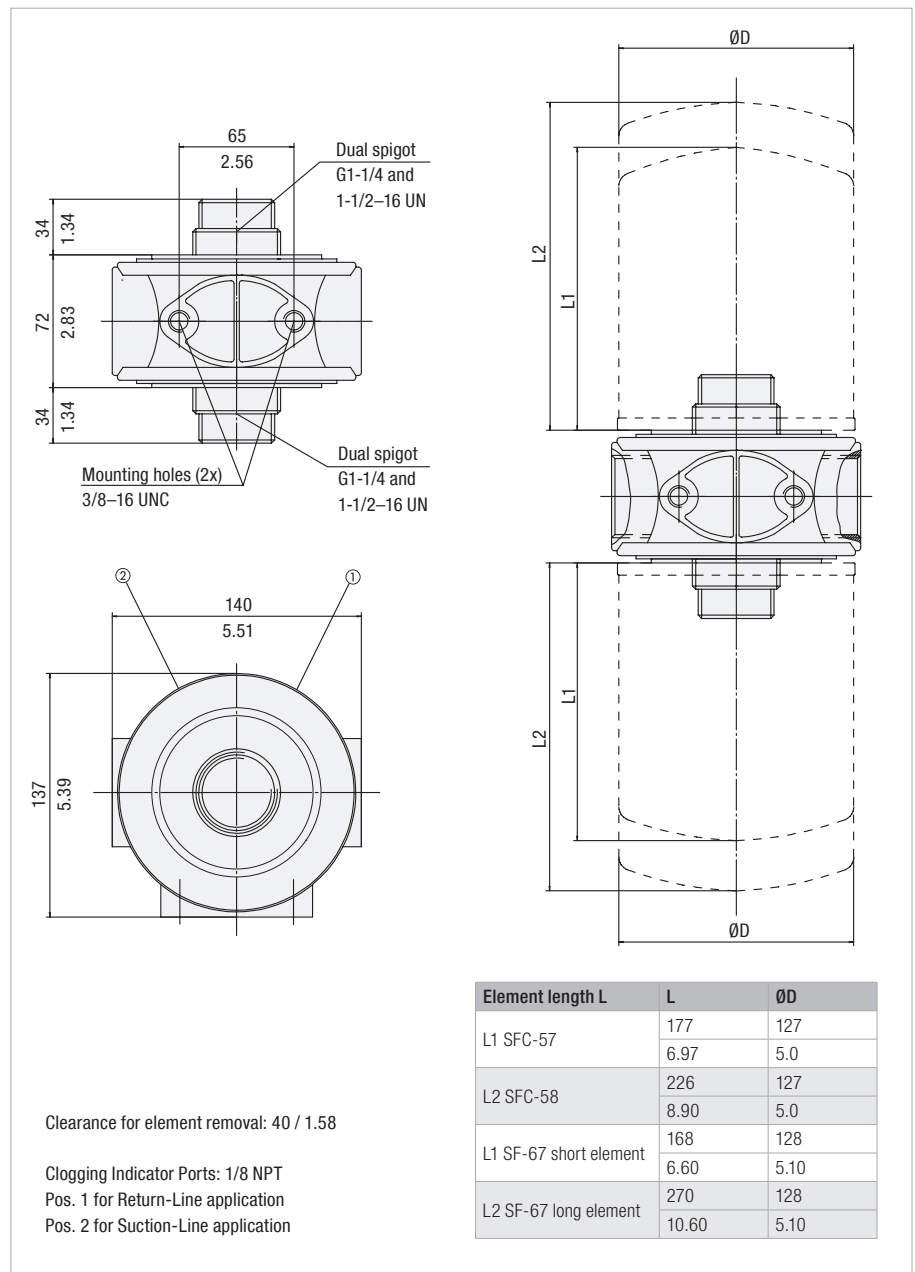
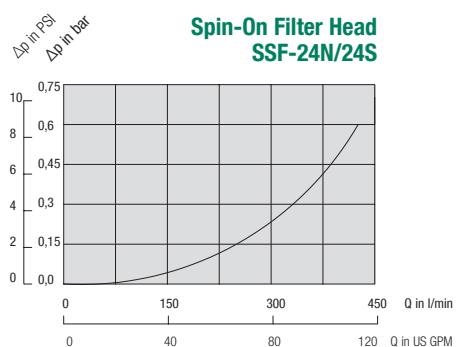
- For use with SF-67 and SFC-57/58 series elements
- For element types with seal contour type A and B
- For element types and flow characteristics see page 176 for SF-67 and page 174 for SFC-57/58
- The element is not part of the scope of delivery

#### Valve

- Bypass valve (integrated in the head): Optional

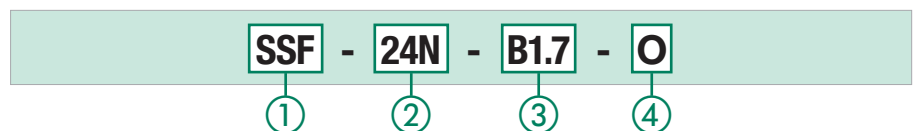
#### Clogging Indicators

- For clogging indicator types see page 177



Dimensions in mm / in

### Order Code



#### ① Type

Double Spin-On Filter Head **SSF**

#### ② Connection Style

Connection	Thread	Code
NPT	1-1/2	<b>24N</b>
SAE	1-7/8-12	<b>24S</b>

#### ③ Bypass Options

No bypass	<b>0</b>
0,2 bar / 3 PSI	<b>B0.2</b>
0,35 bar / 5 PSI	<b>B0.35</b>
1 bar / 15 PSI	<b>B1.0</b>
1,7 bar / 25 PSI	<b>B1.7</b>

#### ④ Clogging Indicator Port Options

No clogging indicator port	<b>0</b>
Clogging indicator port drilled for Return-Line application	<b>1</b>
Clogging indicator port drilled for Suction-Line application	<b>2</b>
All clogging indicator ports drilled	<b>4</b>
Special	<b>9</b>

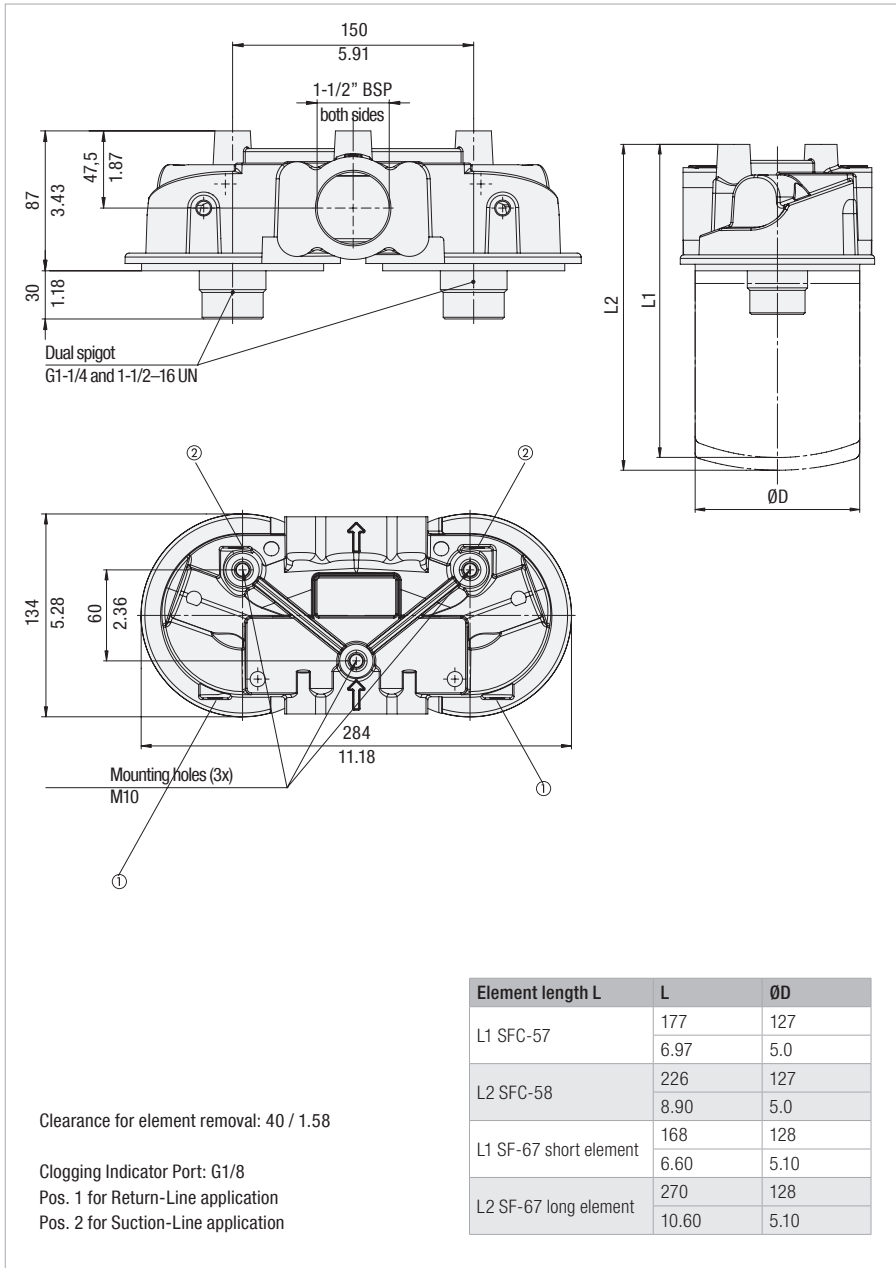
Note: Standard clogging indicator port is 1/8 NPT.





## Double Spin-On Filter Heads ■ SSF-25B

## Dimensions



Dimensions in mm / in



## Technical Data

## Construction

- In-line Double Spin-On filter head

## Material

- Aluminium

## Port Connections

- BSP

## Flow Rate

- 454 l/min / 120 US GPM for Return-Line application
- 132 l/min / 35 US GPM for Suction-Line application

## Operating Pressure

- Max. 12 bar / 174 PSI
- Max. 5 bar / 72.5 PSI differential pressure (for any application without bypass valve)

## Temperature Range

- -30 °C ... +100 °C / -22 °F ... +212 °F

## Media Compatibility

- Mineral oils, other fluids on request

## Options and Accessories



## Filter Elements

- For use with SF-67 and SFC-57/58 series elements
- For element types with seal contour type A and B
- For element types and flow characteristics see page 176 for SF-67 and page 174 for SFC-57/58
- The element is not part of the scope of delivery

## Valve

- Bypass valve (integrated in the head): Optional

## Clogging Indicators

- For clogging indicator types see page 177

## Order Code

**SSF** - **25B** - **B1.7** - **4** / **X**

①      ②      ③      ④      ⑤

## ① Type

 Double Spin-On Filter Head **SSF**

## ② Connection Style

Connection	Thread	Code
BSP	1-1/2	<b>25B</b>

## ③ Bypass Options

No bypass	<b>0</b>
0,2 bar / 3 PSI	<b>B0.2</b>
1,7 bar / 25 PSI	<b>B1.7</b>

Note: Other settings available on request.

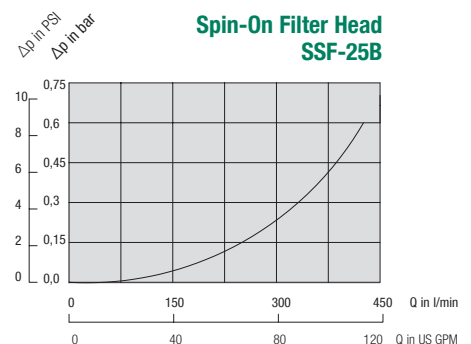
## ④ Clogging Indicator Port Options

All clogging indicator ports drilled	<b>4</b>
Special	<b>9</b>

Note: Standard clogging indicator port is G1/8.

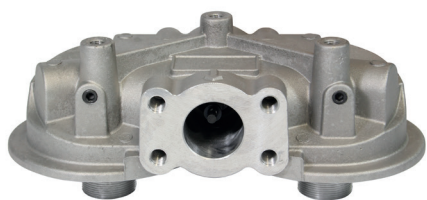
## ⑤ Design Code

Only for information	<b>X</b>
----------------------	----------



## Double Spin-On Filter Heads ■ SSF-25FM

### Dimensions



### Technical Data

#### Construction

- In-line Double Spin-On filter head

#### Material

- Aluminium

#### Port Connections

- SAE flange

#### Flow Rate

- 454 l/min / 120 US GPM for Return-Line application
- 132 l/min / 35 US GPM for Suction-Line application

#### Operating Pressure

- Max. 12 bar / 174 PSI
- Max. 5 bar / 72.5 PSI differential pressure (for any applicaton without bypass valve)

#### Temperature Range

- -30 °C ... +100 °C / -22 °F ... +212 °F

#### Media Compatibility

- Mineral oils, other fluids on request

### Options and Accessories



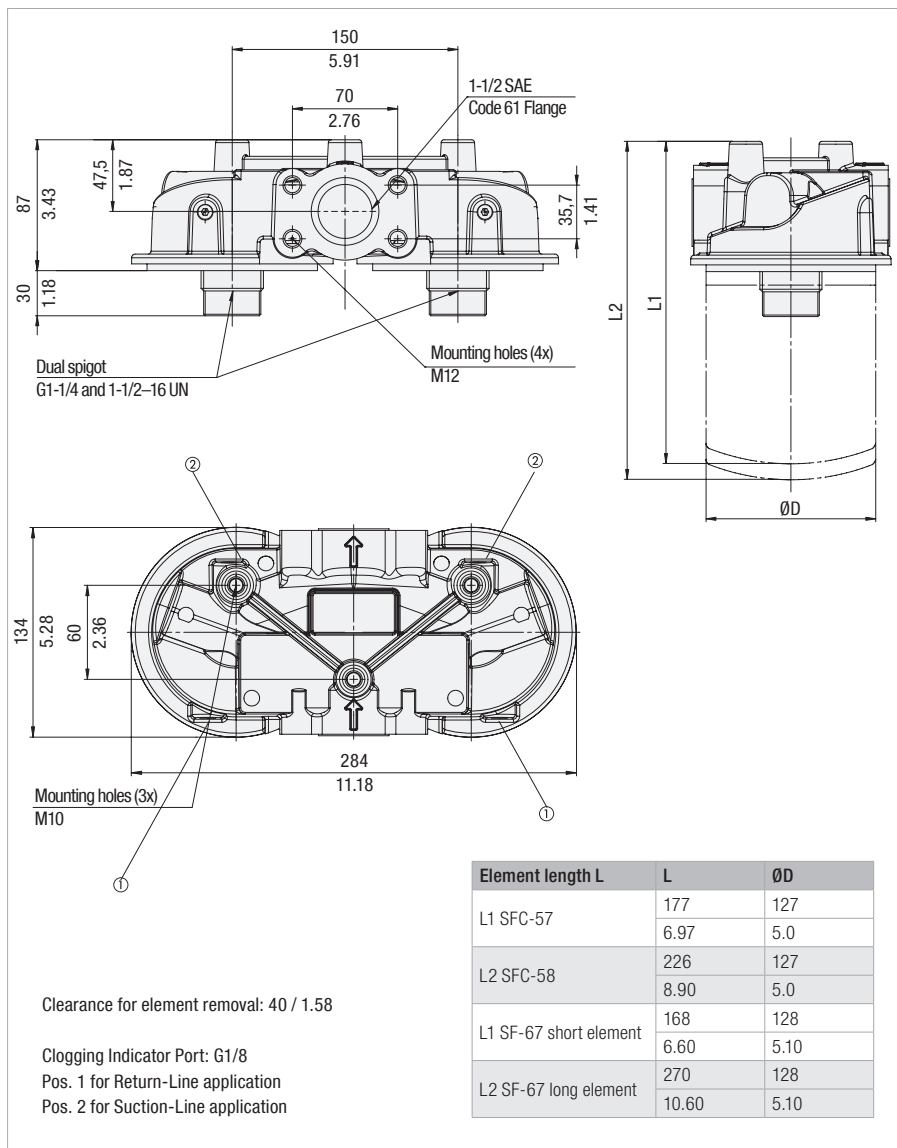
- For use with SF-67 and SFC-57/58 series elements  
For element types with seal contour type A and B  
For element types and flow characteristics see page 176 for SF-67 and page 174 for SFC-57/58  
The element is not part of the scope of delivery

#### Valve

- Bypass valve (integrated in the head): Optional

#### Clogging Indicators

- For clogging indicator types see page 177



Dimensions in mm / in

### Order Code



①

②

③

④

#### ① Type

Double Spin-On Filter Head **SSF**

#### ② Connection Style

Connection	Thread	Code
SAE Flange	1-1/2 SAE Code 61 Flange	<b>25FM</b>

#### ③ Bypass Options

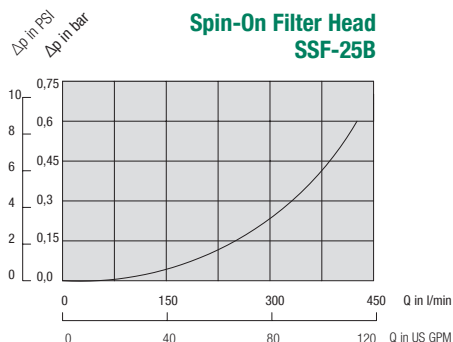
No bypass	<b>0</b>
0,2 bar / 3 PSI	<b>B0.2</b>
1,7 bar / 25 PSI	<b>B1.7</b>

Note: Other settings available on request.

#### ④ Clogging Indicator Port Options

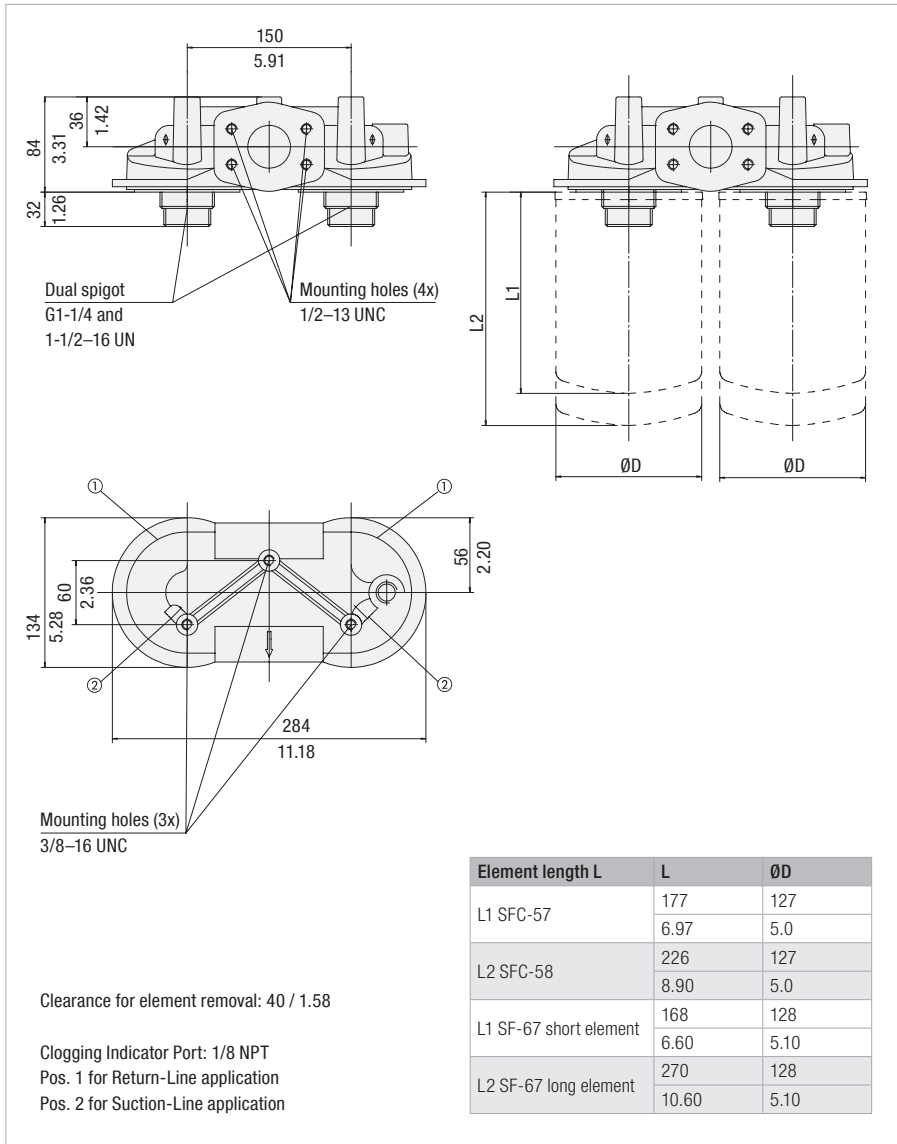
All clogging indicator ports drilled	<b>4</b>
Special	<b>9</b>

Note: Standard clogging indicator port is G1/8.

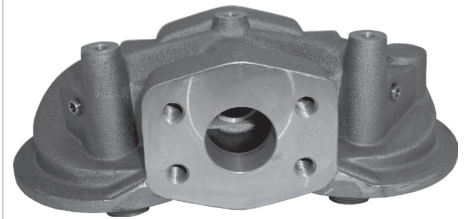


## Double Spin-On Filter Heads ■ SSF-25

## Dimensions



Dimensions in mm / in



## Technical Data

## Construction

- In-line Double Spin-On filter head

## Material

- Aluminium

## Port Connections

- NPT
- SAE flange

## Flow Rate

- 454 l/min / 120 US GPM for Return-Line application
- 132 l/min / 35 US GPM for Suction-Line application

## Operating Pressure

- Max. 12 bar / 174 PSI
- Max. 5 bar / 72.5 PSI differential pressure (for any application without bypass valve)

## Temperature Range

- 30 °C ... +100 °C / -22 °F ... +212 °F

## Media Compatibility

- Mineral oils, other fluids on request

## Options and Accessories



## Filter Elements

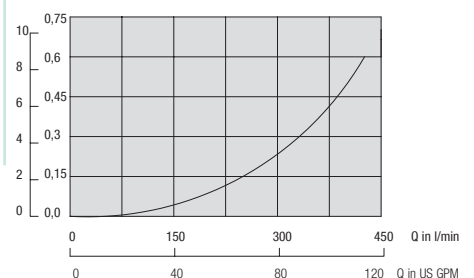
- For use with SF-67 and SFC-57/58 series elements
- For element types with seal contour type A and B
- For element types and flow characteristics see page 176 for SF-67 and page 174 for SFC-57/58
- The element is not part of the scope of delivery

## Valve

- Bypass valve (integrated in the head): Optional

## Clogging Indicators

- For clogging indicator types see page 177

 Spin-On Filter Head  
SSF-25


## Order Code

SSF - 25 - B1.7 - O

1    2    3    4

## ① Type

Double Spin-On Filter Head **SSF**

## ② Connection Style

Connection	Thread	Code
NPT and SAE Flange	1-1/2 and 2 SAE Code 61 Flange	<b>25</b>

## ③ Bypass Options

No bypass	<b>0</b>
0,2 bar / 3 PSI	<b>B0.2</b>
0,35 bar / 5 PSI	<b>B0.35</b>
1 bar / 15 PSI	<b>B1.0</b>
1,7 bar / 25 PSI	<b>B1.7</b>

## ④ Clogging Indicator Port Options

No clogging indicator port	<b>0</b>
Clogging indicator port drilled for Return-Line application	<b>1</b>
Clogging indicator port drilled for Suction-Line application	<b>2</b>
All clogging indicator ports drilled	<b>4</b>
Special	<b>9</b>

Note: Standard clogging indicator port is 1/8 NPT.



Tank Top Spin-On Filter Heads ■ SSFT-12B

Dimensions



Technical Data

Construction

- Tank Top Spin-On filter head

Material

- Aluminium

Port Connections

- BSP

Flow Rate

- 75 l/min / 20 US GPM

Operating Pressure

- Max. 7 bar / 100 PSI

Temperature Range

- -30 °C ... +100 °C / -22 °F ... +212 °F

Media Compatibility

- Mineral oils, other fluids on request

Options and Accessories



Filter Elements

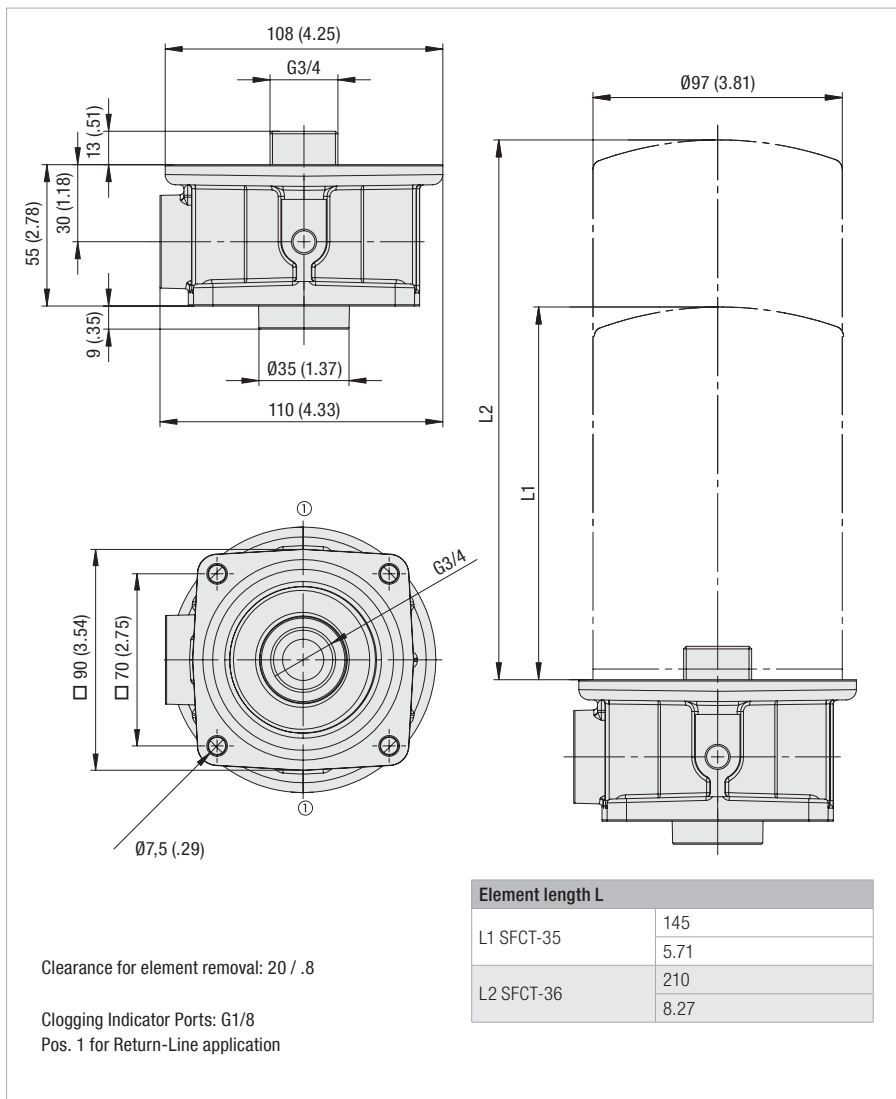
- For use with SFCT-35/36 series elements
- For element types with seal contour type A and B
- For element types and flow characteristics see 174
- The element is not part of the scope of delivery

Valve

- Bypass valve 1,7 bar / 25 PSI integrated in the filter element

Clogging Indicators

- For clogging indicator types see page 177



Dimensions in mm / in

Order Code

**SSFT - 12B - 1**

① ② ③

① Type

Spin-On Filter Head **SSFT**

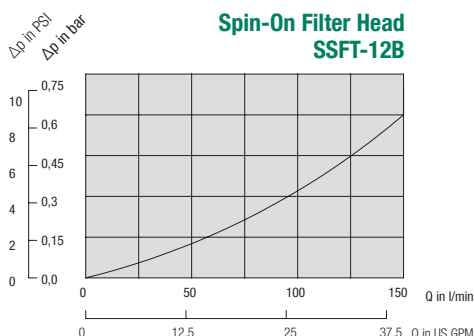
② Connection Style

Connection	Thread	Code
BSP	3/4	<b>12B</b>

③ Clogging Indicator Port Options

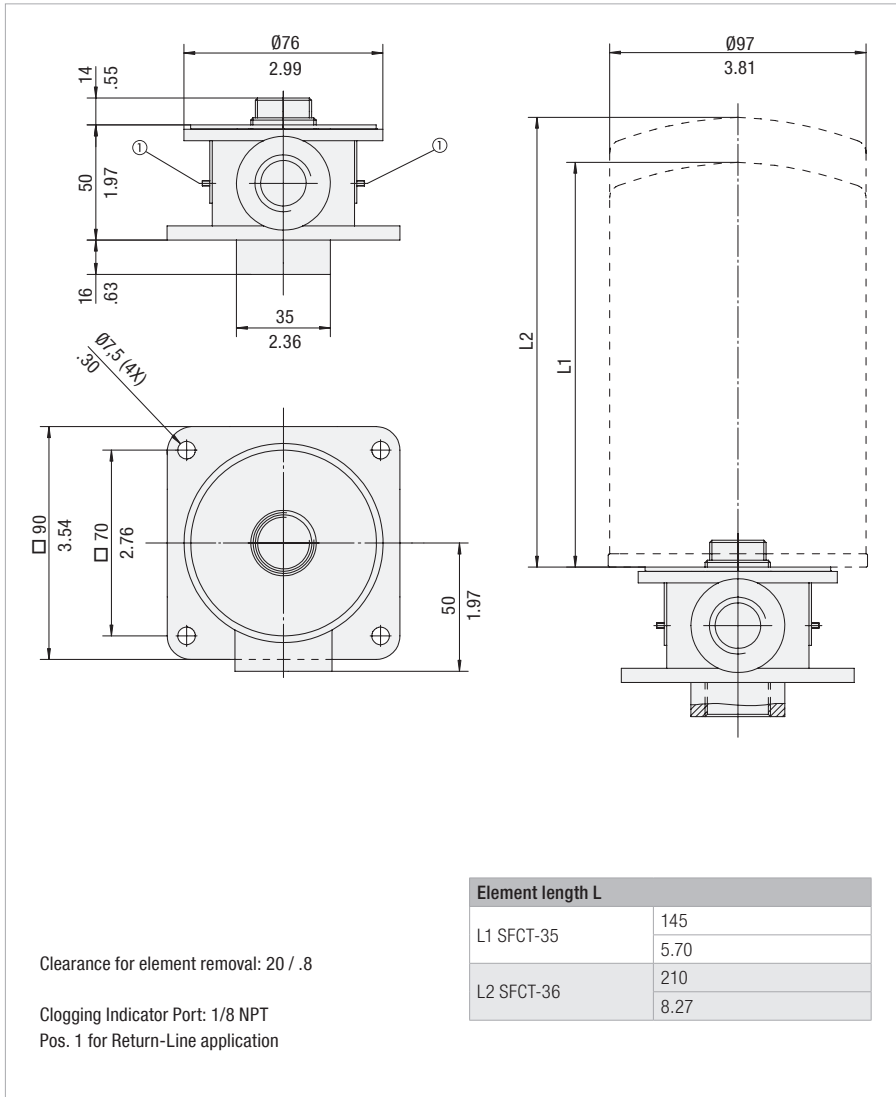
Clogging indicator port drilled for Return-Line application	<b>1</b>
Special	<b>9</b>

Note: Standard clogging indicator port is G1/8.

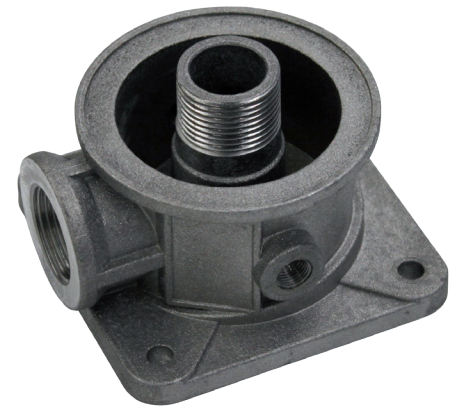


## Tank Top Spin-On Filter Heads ■ SSFT-12

## Dimensions



Dimensions in mm / in



## Technical Data

**Construction**

- Tank Top Spin-On filter head

**Material**

- Aluminium

**Port Connections**

- NPT

**Flow Rate**

- 75 l/min / 20 US GPM

**Operating Pressure**

- Max. 7 bar / 100 PSI

**Temperature Range**

- -30 °C ... +100 °C / -22 °F ... +212 °F

**Media Compatibility**

- Mineral oils, other fluids on request

## Options and Accessories


**Filter Elements**

- For use with SFCT-35/36 series elements
- For element types with seal contour type A and B
- For element types and flow characteristics see page 174
- The element is not part of the scope of delivery

**Valve**

- Bypass valve 1,7 bar / 25 PSI integrated in the filter element

**Clogging Indicators**

- For clogging indicator types see page 177

## Order Code

**SSFT** - **12** - **1**

①                      ②                      ③

## ① Type

 Spin-On Filter Head **SSFT**

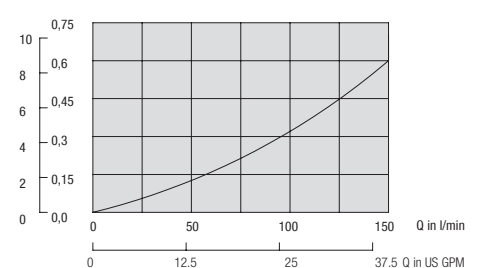
## ② Connection Style

Connection	Thread	Code
NPT	3/4	12

## ③ Clogging Indicator Port Options

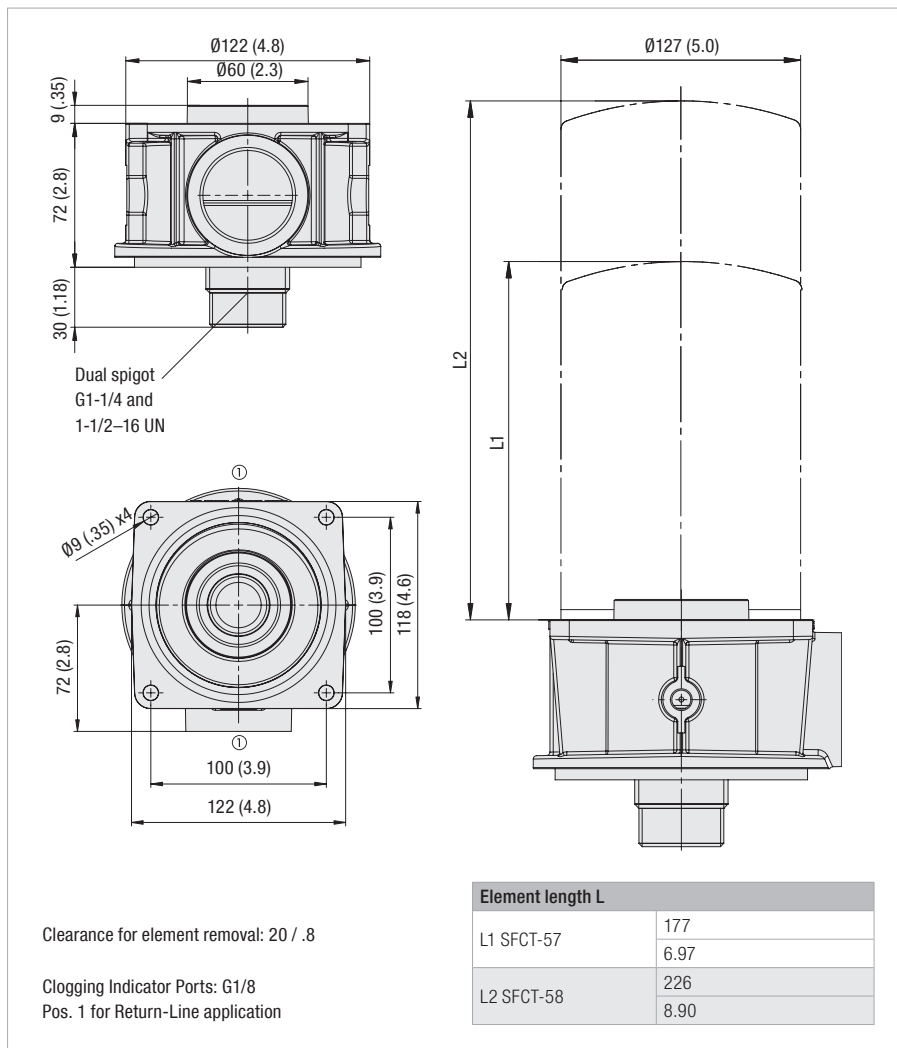
No clogging indicator port	0
Clogging indicator port drilled for Return-Line application	1
Special	9

Note: Standard clogging indicator port is 1/8 NPT.

 Spin-On Filter Head  
SSFT-12


## Tank Top Spin-On Filter Heads - SSFT-20B

### Dimensions



Dimensions in mm / in

### Technical Data

#### Construction

- Tank Top Spin-On filter head

#### Material

- Aluminium

#### Port Connections

- BSP

#### Flow Rate

- 200 l/min / 53 US GPM

#### Operating Pressure

- Max. 7 bar / 100 PSI

#### Temperature Range

- 30 °C ... +100 °C / -22 °F ... +212 °F

#### Media Compatibility

- Mineral oils, other fluids on request

### Options and Accessories



#### Filter Elements

- For use with SFCT-57/58 series elements
- For element types with seal contour type A
- For element types and flow characteristics see page 174
- The element is not part of the scope of delivery

#### Valve

- Bypass valve 1,7 bar / 25 PSI integrated in the filter element

#### Clogging Indicators

- For clogging indicator types see page 177

### Order Code

**SSFT - 20B - 1**

①      ②      ③

#### ① Type

Spin-On Filter Head      **SSFT**

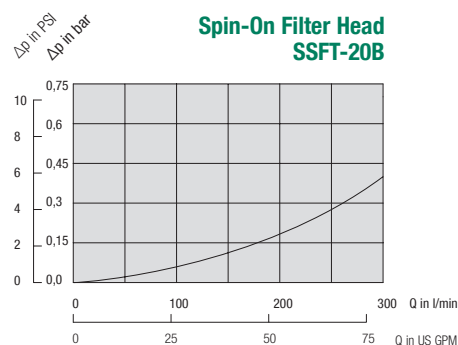
#### ② Connection Style

Connection	Thread	Code
BSP	1-1/2	<b>20B</b>

#### ③ Clogging Indicator Port Options

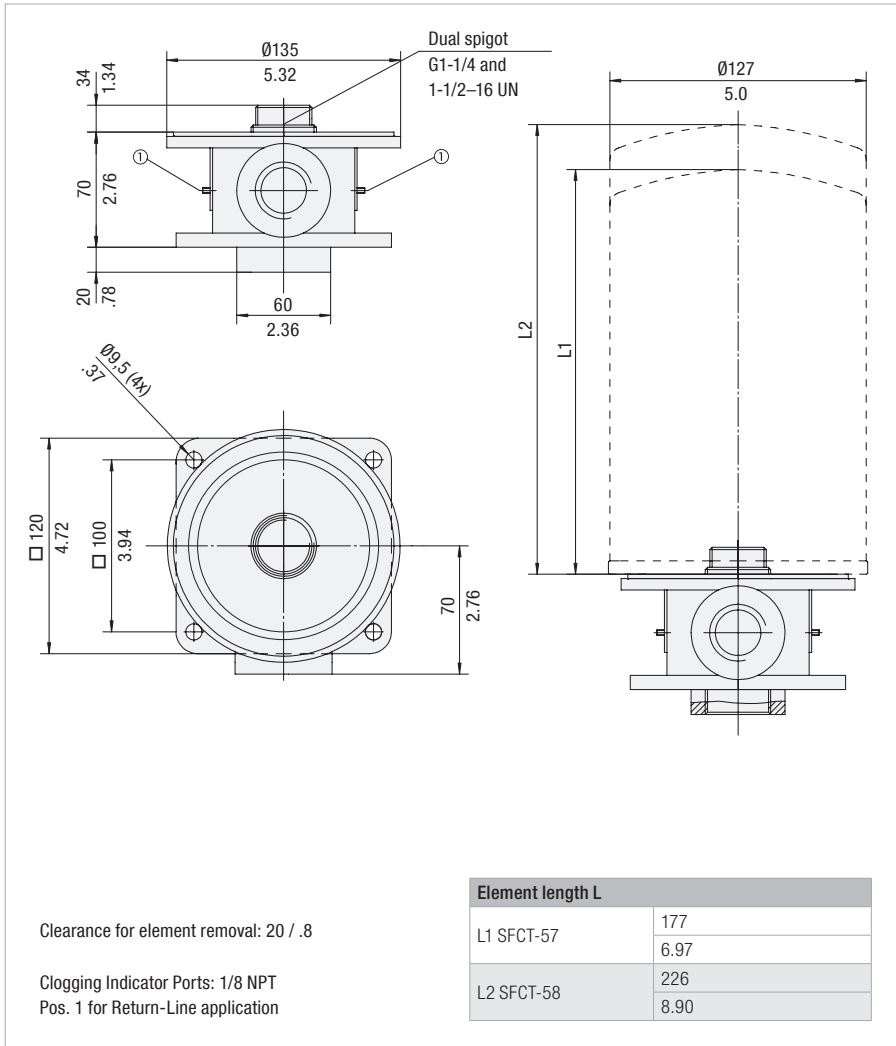
Clogging indicator port drilled for Return-Line application	<b>1</b>
Special	<b>9</b>

Note: Standard clogging indicator port is G1/8.



## Tank Top Spin-On Filter Heads ■ SSFT-20

## Dimensions



Dimensions in mm / in



## Technical Data

**Construction**

- Tank Top Spin-On filter head

**Material**

- Aluminium

**Port Connections**

- NPT

**Flow Rate**

- 200 l/min / 53 US GPM

**Operating Pressure**

- Max. 7 bar / 100 PSI

**Temperature Range**

- -30 °C ... +100 °C / -22 °F ... +212 °F

**Media Compatibility**

- Mineral oils, other fluids on request

## Options and Accessories


**Filter Elements**

- For use with SFCT-57/58 series elements
- For element types with seal contour type A
- For element types and flow characteristics see page 174
- The element is not part of the scope of delivery

**Valve**

- Bypass valve 1,7 bar / 25 PSI integrated in the filter element

**Clogging Indicators**

- For clogging indicator types see page 177

## Order Code

SSFT - 20 - 1  
1    2    3

**① Type**

Spin-On Filter Head	<b>SSFT</b>
---------------------	-------------

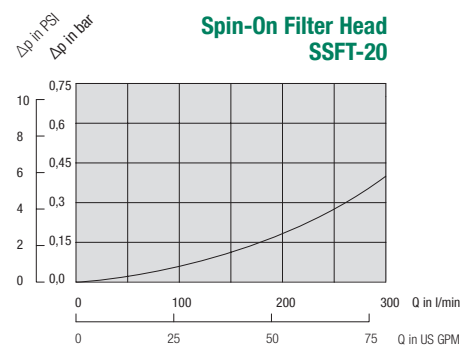
**② Connection Style**

Connection	Thread	Code
NPT	1-1/2	<b>20</b>

**③ Clogging Indicator Port Options**

No clogging indicator port	<b>0</b>
Clogging indicator port drilled for Return-Line application	<b>1</b>
Special	<b>9</b>

Note: Standard clogging indicator port is 1/8 NPT.



## Spin-On Filter Elements

### Description

STAUFF offers a wide range of Spin-On filter heads and Spin-On filter elements.

#### Sealing Material

- NBR (Buna-N®)

#### Media Compatibility

- Mineral oils, other fluids on request

#### Temperature Range

- -30 °C ... +100 °C / -22 °F ... +212 °F

#### Filter Materials

- Wire Mesh, Brass Mesh, Filter Paper, Inorganic Glass Fibre, Stainless Wire Mesh and Water Absorbing Filter Material

### Options and Accessories

#### Valves

- Filter elements type SFCT have an internal bypass and anti-drain back diaphragm

F



#### Types SFC-35/36, SFCT-35/36

- Use with Spin-On filter heads SSF-12, SSFT-12 and SSFT-12B
- Connection thread: G3/4
- Operating pressure: SFC: max. 12 bar / 174 PSI  
SFCT: max 7 bar / 100 PSI
- Differential Pressure: SFC: max. 4 bar / 58 PSI  
SFCT: max. 3 bar / 43,5 PSI
- Burst Pressure: SFC: min. 25 bar / 363 PSI  
SFCT: min 21 bar / 305 PSI



#### Types SFC-57/58, SFCT-57/58

- Use with Spin-On filter heads SSF-20L/100/120/120L/130/160 SSF-24B/24N/24S/25B/25FM/25 and SSFT-20B/20
- Connection thread: G1-1/4
- Operating pressure: SFC: max. 12 bar / 174 PSI  
SFCT: max 7 bar / 100 PSI
- Differential Pressure: SFC: max. 4 bar / 58 PSI  
SFCT: max. 3 bar / 43,5 PSI
- Burst Pressure: SFC: min. 25 bar / 363 PSI  
SFCT: min 21 bar / 305 PSI



#### Type SF-63

- Use with Spin-On filter head SLF
- Connection thread: 3/4–16 UNF
- Operating pressure: max. 14 bar / 200 PSI
- Differential Pressure: max. 5,5 bar / 80 PSI
- Burst Pressure: min. 20 bar / 290 PSI



#### Type SF-65

- Use with Spin-On filter head SAF
- Connection thread: 1–12 UNF
- Operating pressure: max. 14 bar / 200 PSI
- Differential Pressure: max. 5,5 bar / 80 PSI
- Burst Pressure: min. 20 bar / 290 PSI



#### Type SF-67

- Use with Spin-On filter heads SSF-20L/100/120/120L/130/150/160/180 SSF-24B/24N/24S/25B/25FM/25
- Connection thread: 1/2–16 UN
- Operating pressure: max. 14 bar / 200 PSI
- Differential Pressure: max. 5,5 bar / 80 PSI
- Burst Pressure: min. 20 bar / 290 PSI

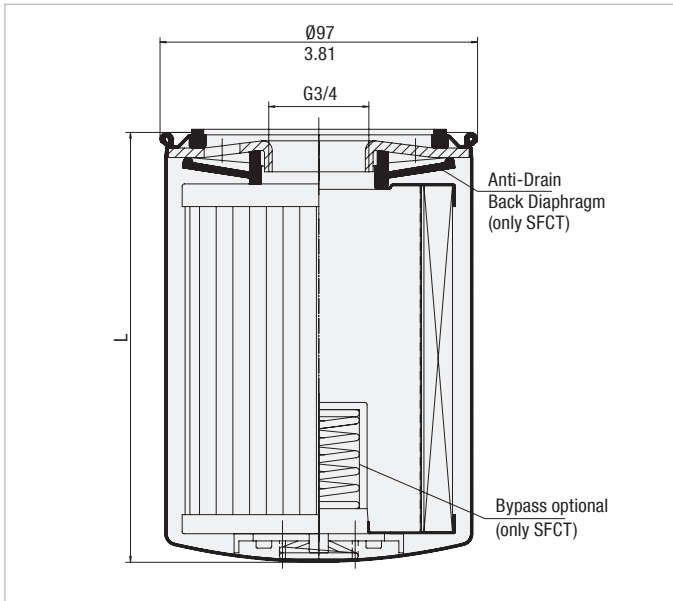


#### Private Labelling

- On request, the filter elements can be printed with a private label





**Spin-On Filter Elements - Type SFC-35 / 36 and SFCT-35 / 36**

**Product Description**

STAUFF SFC-35/36 series Spin-On Elements are used with the STAUFF SSF-12 Spin-On Filters with G3/4 threaded ports.

STAUFF SFCT-35/36 series Spin-On Elements have an internal 1,7 bar / 25 PSI bypass and anti-drain back diaphragm for use with STAUFF SSFT-12 and SSFT-12B Tank Top Spin-On Filters.

**Technical Data**
**Connection Thread**

- G3/4

**Operating Pressure**

- Max. 12 bar / 174 PSI

**Burst Pressure**

- Min. 20 bar / 290 PSI

**Temperature Range**

- -30 °C ... +100 °C / -22 °F ... +212 °F

**Seal Contour**

- Type A (see page 151)

**Differential Pressure**

- Paper: Max. 5 bar / 72.5 PSI  
Glass Fibre / Wire Mesh: Max. 10 bar / 145 PSI  
(for any application without bypass valve)

**Bypass Pressure**

- 1,7 bar / 25 PSI (only SFCT-series)

**Media Compatibility**

- Mineral oils, other fluids on request

**Sealing Material**

- NBR (Buna-N®)

**Dimensions**

Order Code	Filter Paper				Inorganic Glass Fibre					
	SFC-3510-E	SFC-3610-E	SFC-3525-E	SFC-3625-E	SFC-3503-AE	SFC-3603-AE	SFC-3510-AE	SFC-3610-AE	SFC-3525-AE	SFC-3625-AE
Element without bypass valve	SFC-3510-E	SFC-3610-E	SFC-3525-E	SFC-3625-E	SFC-3503-AE	SFC-3603-AE	SFC-3510-AE	SFC-3610-AE	SFC-3525-AE	SFC-3625-AE
Element with bypass valve	SFCT-3510-E	SFCT-3610-E	SFCT-3525-E	SFCT-3625-E			SFCT-3510-AE	SFCT-3610-AE	SFCT-3525-AE	SFCT-3625-AE
Length L (mm/in)	145 5.7	210 8.27	145 5.7	210 8.27	145 5.7	210 8.27	145 5.7	210 8.27	145 5.7	210 8.27
β-Ratio	$\beta_{10} \geq 2$	$\beta_{10} \geq 2$	$\beta_{25} \geq 2$	$\beta_{25} \geq 2$	$\beta_3 \geq 200$	$\beta_3 \geq 200$	$\beta_{10} \geq 200$	$\beta_{10} \geq 200$	$\beta_{25} \geq 200$	$\beta_{25} \geq 200$
Carton Quantity	1	1	1	1	1	1	1	1	1	1
Carton Weight (kg/lbs)	0,9 2	1,3 2,6	0,9 2	1,3 2,6	0,9 2	1,3 2,6	0,9 2	1,3 2,6	0,9 2	1,3 2,6

Order Code	Wire Mesh		Brass Mesh	
	SFC-3560-E	SFC-3660-E	SFC-35125-E	SFC-36125-E
Element without bypass valve	SFC-3560-E	SFC-3660-E	SFC-35125-E	SFC-36125-E
Element with bypass valve	-	-	-	-
Length L (mm/in)	145 5.7	210 8.27	145 5.7	210 8.27
β-Ratio	n/a	n/a	n/a	n/a
Carton Quantity	1	1	1	1
Carton Weight (kg/lbs)	0,9 2	1,3 2,6	0,9 2	1,3 2,6



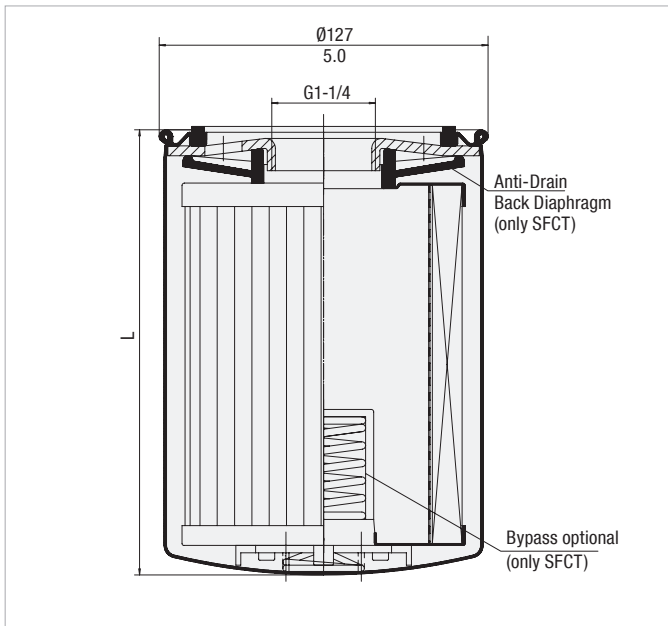
Spin-On Elements ▪ Type SFC-57 / 58 and SFCT-57 / 58



Product Description

STAUFF Spin-On Filter Elements of the SFC-/SFCT-57/58 series are used with the STAUFF SSF-20L/100/120/120L/130/160 and SSF-24B/24N/24S/25B/25FM/25 series Spin-On Filters with G1-1/4 threaded ports.

STAUFF SFCT-57/58 series Spin-On Elements have an internal 1,7 bar / 25 PSI bypass and anti-drain back diaphragm for use with STAUFF SSFT-20B/20 Tank Top Spin-On Filters.



F

Technical Data

Connection Thread

- G1-1/4

Operating Pressure

- Max. 12 bar / 174 PSI

Burst Pressure

- Min. 17 bar / 247 PSI

Temperature Range

- -30 °C ...+100 °C / -22 °F ... +212 °F

Seal Contour

- Type A (see page 151)

Differential Pressure

- Paper: Max. 5 bar / 72.5 PSI  
Glass Fibre / Wire Mesh:  
Max. 10 bar / 145 PSI  
(for any application without bypass valve)

Bypass Pressure

- 1,7 bar / 25 PSI  
(only SFCT-series)

Media Compatibility

- Mineral oils, other fluids on request

Sealing Material

- NBR (Buna-N®)

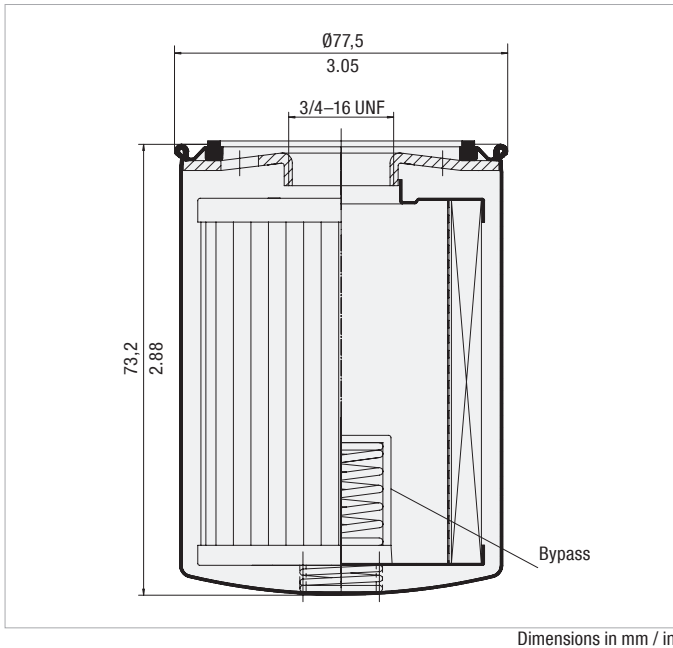
Dimensions

Order Code	Filter Paper				Inorganic Glass Fibre					
	SFC-5710-E	SFC-5810-E	SFC-5725-E	SFC-5825-E	SFC-5703-AE	SFC-5803-AE	SFC-5710-AE	SFC-5810-AE	SFC-5725-AE	SFC-5825-AE
Element without bypass valve	SFC-5710-E	SFC-5810-E	SFC-5725-E	SFC-5825-E	-	-	SFC-5710-AE	SFC-5810-AE	SFC-5725-AE	SFC-5825-AE
Element with bypass valve	SFCT-5710-E	SFCT-5810-E	SFCT-5725-E	SFCT-5825-E	-	-	SFCT-5710-AE	SFCT-5810-AE	SFCT-5725-AE	SFCT-5825-AE
Length L (mm/in)	177 6.97	226 8.9	177 6.97	226 8.9	177 6.97	226 8.9	177 6.97	226 8.9	177 6.97	226 8.9
β-Ratio	$\beta_{10} \geq 2$	$\beta_{10} \geq 2$	$\beta_{25} \geq 2$	$\beta_{25} \geq 2$	$\beta_3 \geq 200$	$\beta_3 \geq 200$	$\beta_{10} \geq 200$	$\beta_{10} \geq 200$	$\beta_{25} \geq 200$	$\beta_{25} \geq 200$
Carton Quantity	1	1	1	1	1	1	1	1	1	1
Carton Weight (kg/lbs)	1,4 3	1,85 4	1,4 3	1,85 4	1,4 3	1,85 4	1,4 3	1,85 4	1,4 3	1,85 4

Order Code	Wire Mesh		Brass Mesh	
	SFC-5760-E	SFC-5860-E	SFC-57125-E	SFC-58125-E
Element without bypass valve	SFC-5760-E	SFC-5860-E	SFC-57125-E	SFC-58125-E
Element with bypass valve	-	-	-	-
Length L (mm/in)	177 6.97	226 8.9	177 6.97	226 8.9
β-Ratio	n/a	n/a	n/a	n/a
Carton Quantity	1	1	1	1
Carton Weight (kg/lbs)	0,9 2	1,3 2,6	0,9 2	1,3 2,6



## Spin-On Elements ▪ Type SF-63



Dimensions in mm / in



## Product Description

STAUFF SF-63-series Spin-On Elements are used with the STAUFF SLF Spin-On Filters.

## Technical Data

## Connection Thread

- 3/4-16 UNF

## Seal Contour

- Type A (see page 151)

## Sealing Material

- NBR (Buna-N®)

## Operating Pressure

- Max. 14 bar / 200 PSI

## Differential Pressure

- Max. 5,5 bar / 80 PSI  
(for any application without bypass valve)

## Burst Pressure

- Min. 20 bar / 290 PSI

## Bypass Pressure

- SF-6310-18 1,24 bar / 18 PSI
- SF-6325-10 0,70 bar / 10 PSI

## Temperature Range

- -30 °C ... +100 °C / -22 °F ... +212 °F

## Media Compatibility

- Mineral oils, other fluids on request

## Dimensions

Order Code	Filter Paper	
	SF-6310-18	SF-6325-10
β-Ratio	$\beta_{10} \geq 2$	$\beta_{25} \geq 2$
Dirt Holding Capacity (g)	6	6
Carton Quantity	12	12
Carton Weight (kg/lbs)	3,6	3,6
	8	8

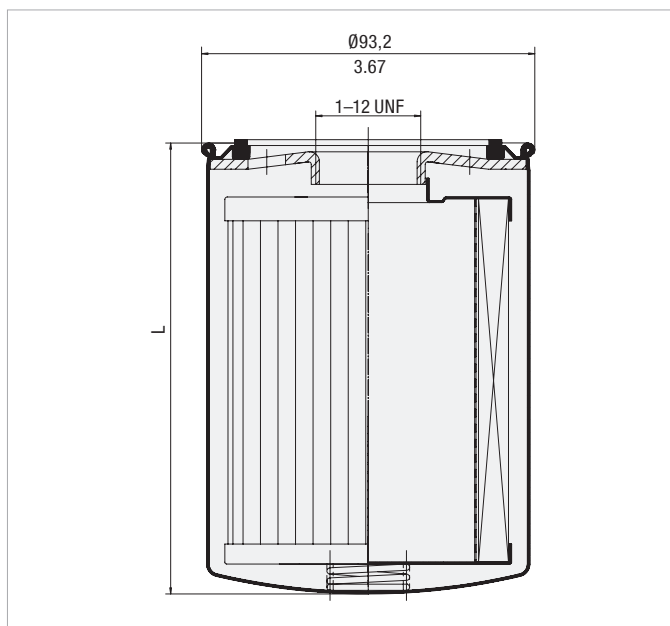


## Spin-On Elements ▪ Type SF-65



### Product Description

STAUFF SF-65-series Spin-On Elements are used with the STAUFF SAF series Spin-On Filters.



Dimensions in mm / in

F

### Technical Data

#### Connection Thread

- 1-12 UNF

#### Seal Contour

- Type A (see page 151)

#### Sealing Material

- NBR (Buna-N®)

#### Operating Pressure

- Max. 14 bar / 200 PSI
- SF-6520-W: Max. 7 bar / 101.5 PSI

#### Differential Pressure

- Max. 5,5 bar / 80 PSI  
(for any application without bypass valve)

#### Burst Pressure

- Min. 20 bar / 290 PSI

#### Temperature Range

- -30 °C ... +100 °C / -22 °F ... +212 °F

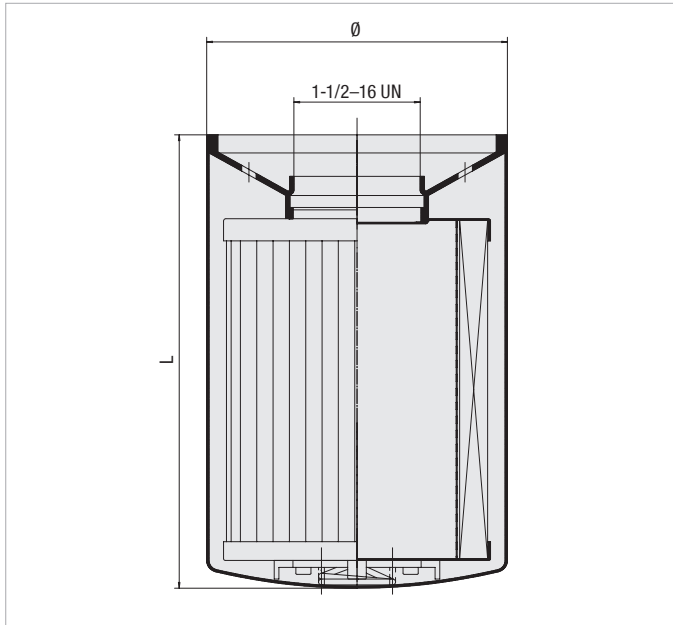
#### Media Compatibility

- Mineral oils, other fluids on request

### Dimensions

Order Code	Filter Paper				Inorganic Glass Fibre			Water Absorbing
	SF-6520	SF-6521	SF-6510	SF-6511	SF-6549	SF-6505	SF-6504	SF-6520-W
Length L (mm/in)	147 5.76	204 8.00	147 5.76	204 8.00	147 5.76	147 5.76	147 5.76	133 5.25
β-Ratio	$\beta_{10} \geq 2$	$\beta_{10} \geq 2$	$\beta_{25} \geq 2$	$\beta_{25} \geq 2$	$\beta_3 \geq 200$	$\beta_{12} \geq 200$	$\beta_{25} \geq 200$	$\beta_{10} \geq 2$
Dirt Holding Capacity ACFTD (g)	14.4	22	20.4	31.2	19	11	26	Water holding capacity 162 ml 5.5 oz
Carton Quantity	12	12	12	12	12	12	12	12
Carton Weight (kg/lbs)	6,3	8,4	6,4	8,8	8,6	8,6	8,6	8,6
	13.9	18.5	14.2	19.4	19	19	19	19



**Spin-On Elements - Type SF-67**


Dimensions in mm / in


**Product Description**

STAUFF SF-67-series Spin-On Elements are used with the STAUFF SSF-20L/100/120/120L/130/150/160/180 and SSF-24B/24N/24S/25B/25FM/25 Spin-On Filters.

**Technical Data**
**Connection Thread**

- 1-1/2-16 UN

**Seal Contour**

- Type B (see page 151)

**Sealing Material**

- NBR (Buna-N®)

**Operating Pressure**

- Max. 14 bar / 200 PSI
- SF-6721-W: Max. 7 bar / 101.5 PSI

**Differential Pressure**

- Max. 5.5 bar / 80 PSI
- (for any application without bypass valve)

**Burst Pressure**

- Min. 20 bar / 290 PSI

**Temperature Range**

- -30 °C ... +100 °C / -22 °F ... +212 °F

**Media Compatibility**

- Mineral oils, other fluids on request

**Dimensions**

Inorganic Glass Fibre									
Order Code	SF-6702-MG	SF-6703-MG	SF-6704-MG	SF-6706-MG	SF-6707-MG	SF-6730-MG	SF-6731-MG	SF-6728-MG	SF-6726-MG
Length L (mm/in)	270 10.6	168 6.6	270 10.6	168 6.6	270 10.6	168 6.6	270 10.6	168 6.6	270 10.6
Diameter Ø (mm/in)	129 5.08	129 5.08	129 5.08	129 5.08	129 5.08	129 5.08	129 5.08	129 5.08	129 5.08
β-Ratio	β <sub>1</sub> ≥ 200	β <sub>3</sub> ≥ 200	β <sub>3</sub> ≥ 200	β <sub>6</sub> ≥ 200	β <sub>6</sub> ≥ 200	β <sub>12</sub> ≥ 200	β <sub>12</sub> ≥ 200	β <sub>25</sub> ≥ 200	β <sub>25</sub> ≥ 200
Dirt Holding Capacity ACFTD (g)	30	31	47	35	54	38	59	50	76
Carton Quantity	6	6	6	6	6	6	6	6	6
Carton Weight (kg/lbs)	11,8 26.1	8,2 18	11,8 26.1	8,2 18	11,8 26.1	8,2 18	11,8 26.1	8,2 18	11,8 26.1

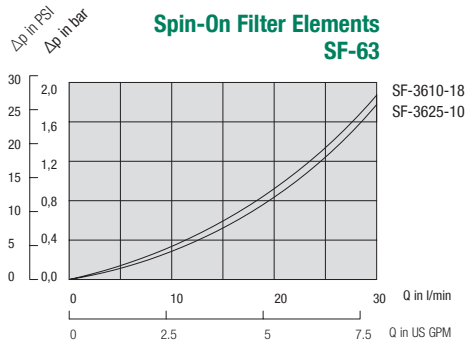
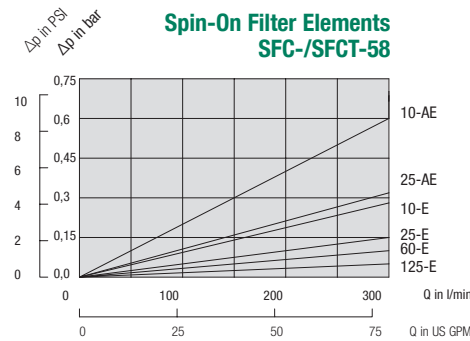
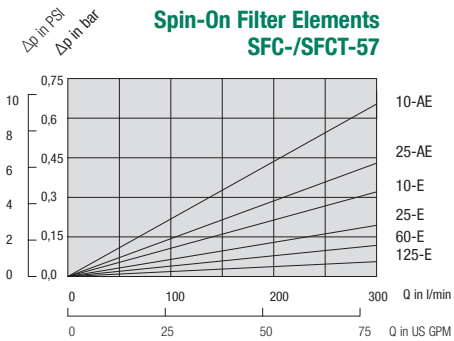
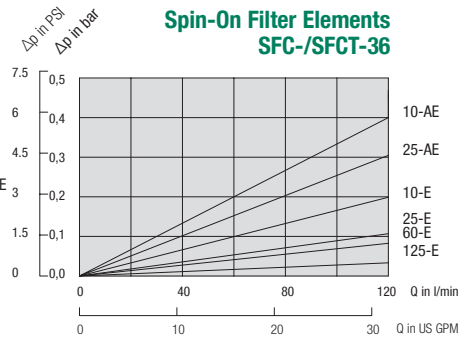
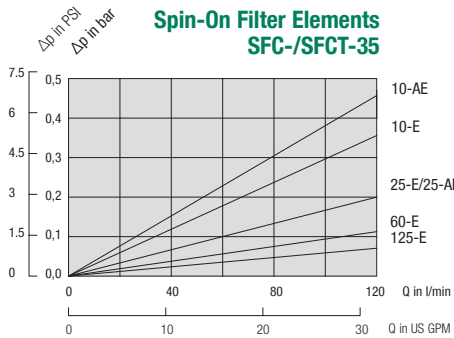
Filter Paper				Stainless Wire Mesh		Water Absorbing	
Order Code	SF-6720	SF-6721	SF-6710	SF-6711	SF-6790	SF-6791	SF-6721-W
Length L (mm/in)	168 6.6	270 10.6	168 6.6	270 10.6	168 6.6	270 10.6	270 10.6
Diameter Ø (mm/in)	128,5 5.06	128,5 5.06	128,5 5.06	128,5 5.06	128,5 5.06	128,5 5.06	128,5 5.06
β-Ratio	β <sub>10</sub> ≥ 2	β <sub>10</sub> ≥ 2	β <sub>25</sub> ≥ 2	β <sub>25</sub> ≥ 2	n/a	n/a	β <sub>10</sub> ≥ 2
Dirt Holding Capacity ACFTD (g)	34	62	34	62	n/a	n/a	Water holding capacity 444 ml / 15 oz
Carton Quantity	6	6	6	6	6	6	6
Carton Weight (kg/lbs)	6,6 14.6	7,9 17.5	6,7 14.9	9,3 20.6	8,2 18	11,8 26.1	11,8 26.1



### Spin-On Elements ▪ Type SFC/SFCT-35/36, SFC/SFCT-57/58 and SF-63

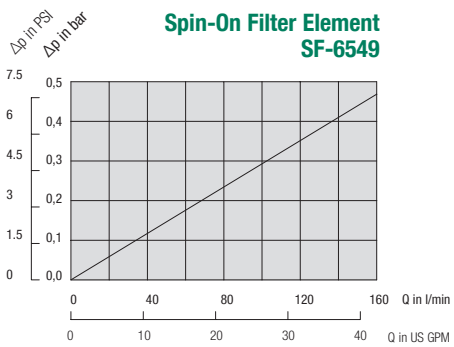
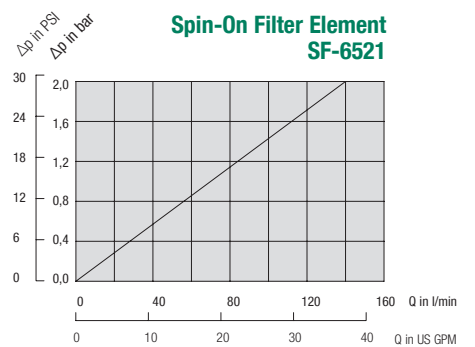
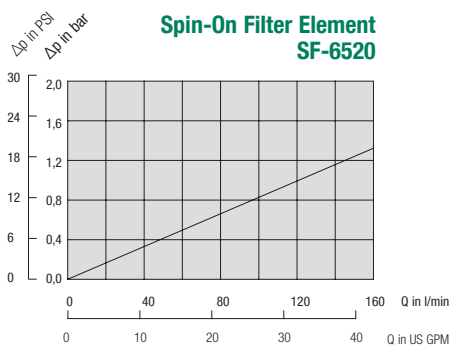
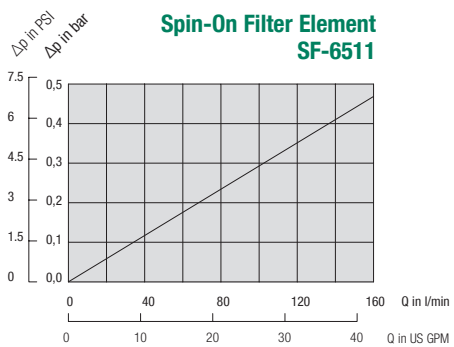
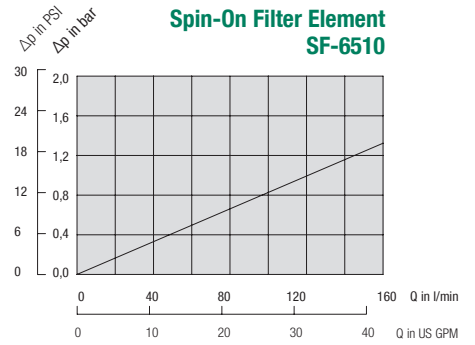
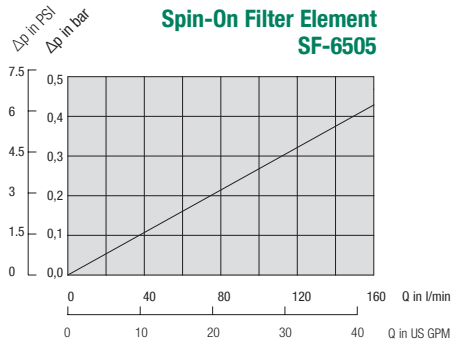
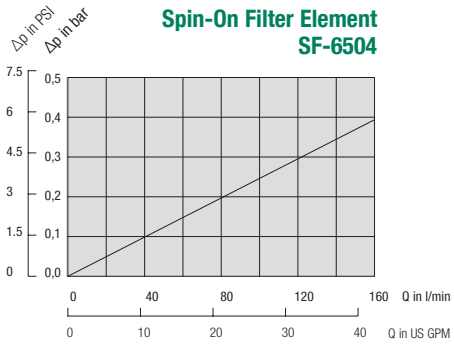
The following characteristics are valid for mineral oils with a density of 0,85 kg/dm<sup>3</sup> and the kinematic viscosity of 30 mm<sup>2</sup>/s (30 cSt). The characteristics have been determined in accordance to ISO 3968. SFC-35/36 series Spin-On Elements are used with STAUFF SSF-12 Spin-On Filters, SFCT-35/36 series Spin-On Elements are used with STAUFF SSFT-12 Spin-On Filters, SFC-57/58 series Spin-On Elements are used with STAUFF SSF-20/24/25/100/120/130/160 Spin-On Filters, SFCT-57/58 series Spin-On Elements are used with STAUFF SSFT-20 Spin-On Filters and SF-63 series Spin-On Elements are used with STAUFF SLF-02/03/04 Spin-On Filters.

F



**Spin-On Elements ■ Type SF-65**

The following characteristics are valid for mineral oils with a density of 0,85 kg/dm<sup>3</sup> and the kinematic viscosity of 30 mm<sup>2</sup>/s (30 cSt).  
 The characteristics have been determined in accordance to ISO 3968. SF-65 Spin-On Elements are used with the STAUFF SAF-05/06/07/10/11/13 Spin-On Filters.


**F**

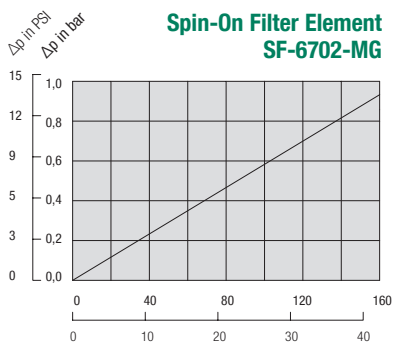

## Spin-On Elements ▪ Type SF-67

The following characteristics are valid for mineral oils with a density of 0,85 kg/dm<sup>3</sup> and the kinematic viscosity of 30 mm<sup>2</sup>/s (30 cSt).

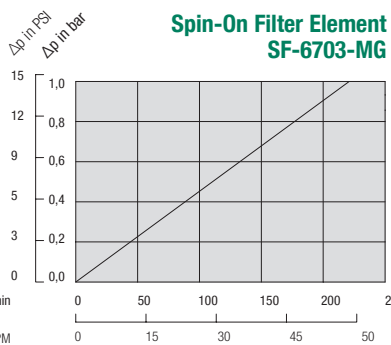
The characteristics have been determined in accordance to ISO 3968. SF-67 Spin-On Elements are used with the STAUFF SSF-20/24/25/100/120/130/160/150/180 Spin-On Filters.

F

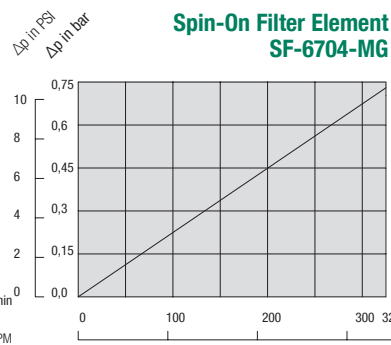
**Spin-On Filter Element SF-6702-MG**



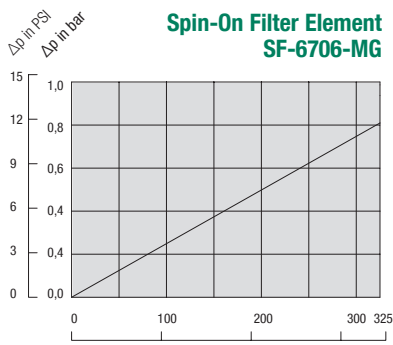
**Spin-On Filter Element SF-6703-MG**



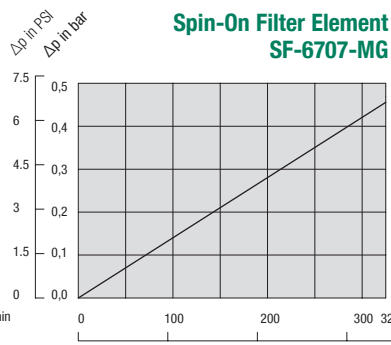
**Spin-On Filter Element SF-6704-MG**



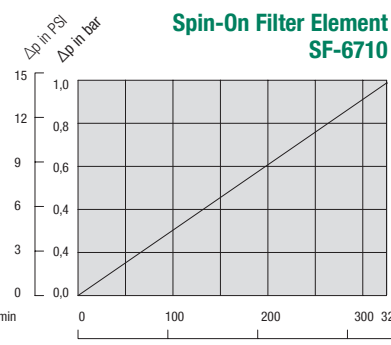
**Spin-On Filter Element SF-6706-MG**



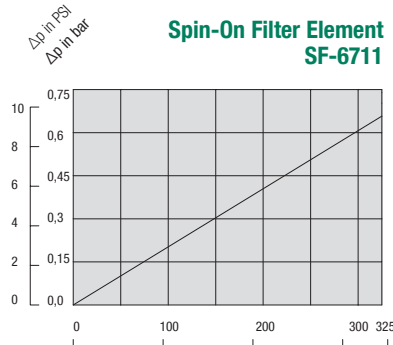
**Spin-On Filter Element SF-6707-MG**



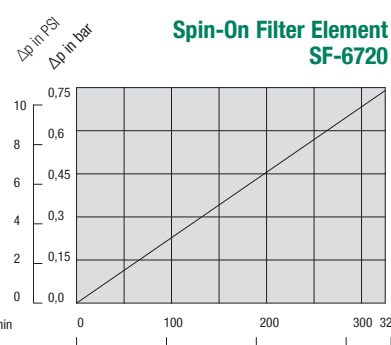
**Spin-On Filter Element SF-6710**



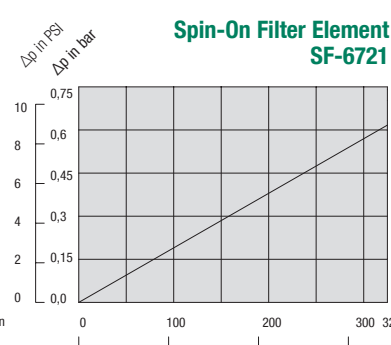
**Spin-On Filter Element SF-6711**



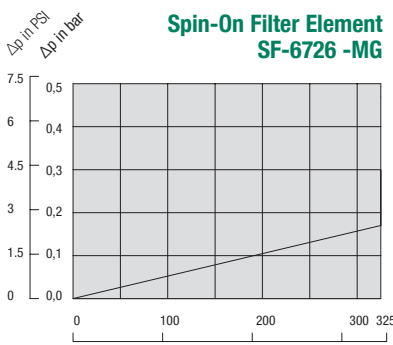
**Spin-On Filter Element SF-6720**



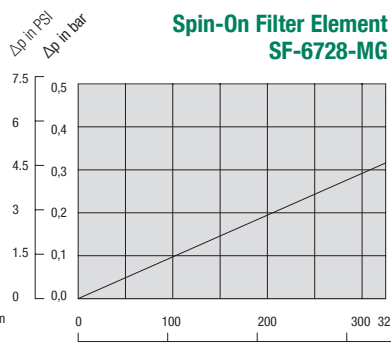
**Spin-On Filter Element SF-6721**



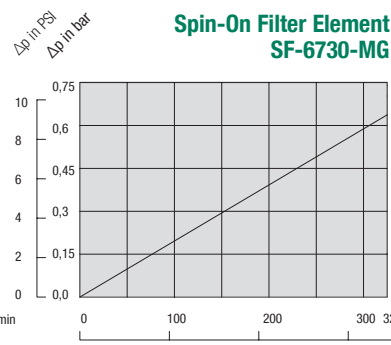
**Spin-On Filter Element SF-6726 -MG**



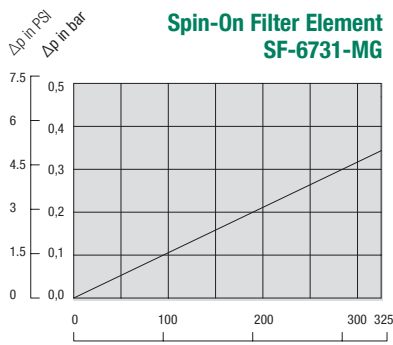
**Spin-On Filter Element SF-6728-MG**



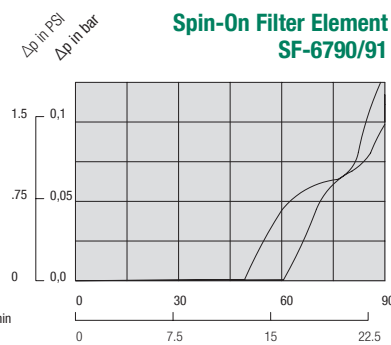
**Spin-On Filter Element SF-6730-MG**



**Spin-On Filter Element SF-6731-MG**



**Spin-On Filter Element SF-6790/91**



SF6790

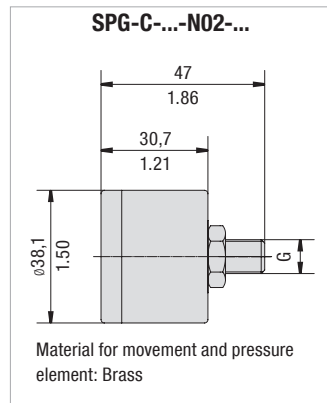
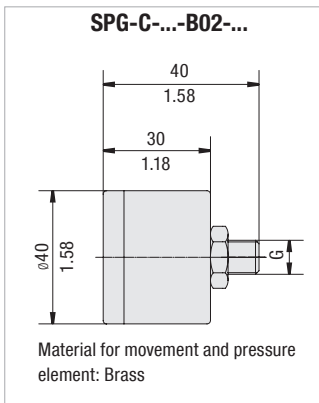
SF6791





## Clogging Indicators

## Visual Indicators



SPG-C-...-B02-...



SPG-C-...-N02-...



SPG-C-...-B02-...



SPG-C-...-N02-...

Visual Pressure Clogging Indicators (for Spin-On Filter in Return-Line applications)							Order Code
Thread	Connection G	Unit of scale	Range of scale	Coloured Segments			
				Green	Yellow	Red	
BSP	1/8	bar	0 ... 2,5	0 ... 1,2	1,2 ... 1,5	1,5 ... 2,5	SPG-C-040-00002.5-02-P-B02-402923
	1/8	bar	0 ... 4	0 ... 2,5	2,5 ... 3	3 ... 4	SPG-C-040-00004-02-P-B02-402922
	1/8	bar	0 ... 12	without coloured segments			SPG-C-040-00012-02-P-B02
NPT	1/8	PSI	0 ... 100	0 ... 13	13 ... 15	15 ... 100	SPG-C-040-00100-03-P-N02-402927
	1/8	PSI	0 ... 100	0 ... 21	21 ... 25	25 ... 100	SPG-C-040-00100-03-P-N02-402928
Visual Vacuum Clogging Indicators (for Spin-On Filter in Suction-Line applications)							Order Code
Thread	Connection G	Unit of scale	Range of scale				
BSP	1/8	cm Hg	-76 ... 0	-13 ... 0	-18 ... -13	-76 ... -18	SPG-C-040-(-76)-00000-22-P-B02-402924
	1/8	in Hg	-30 ... 0	-4 ... 0	-6 ... -4	-30 ... -6	SPG-C-040-(-30)-00000-23-P-N02-402925
NPT	1/8	in Hg	-30 ... 0	-9 ... 0	-11 ... -9	-30 ... -11	SPG-C-040-(-30)-00000-23-P-N02-402926

## Order Code

## Electrical Clogging Switch

**Limit-Switch - G42NO - S - G02 - B1.3**

①

②

③

④

⑤

## ① Type

Limit-Switch

## ② Connector Type

Electrical Clogging Switch 42 V, NO	<b>G42NO</b>
Electrical Clogging Switch 42 V, NC	<b>G42NC</b>
Electrical Clogging Switch 110 V ... 230 V, two-way contact (only for Plug Type W)	<b>G230</b>

## ③ Plug Type

M12 Five-Pin Connector according to IEC 61076-2-101	<b>M12</b>
AMP-Junior-Timer Plug	<b>A</b>
DEUTSCH Plug DT04-2P	<b>D</b>
Rubber boot	<b>S</b>
90 degree Polyamide cap (only for Connector Type G230)	<b>W</b>

## ④ Thread Type

1/8 BSP	<b>G02</b>
1/8 NPT	<b>N02</b>

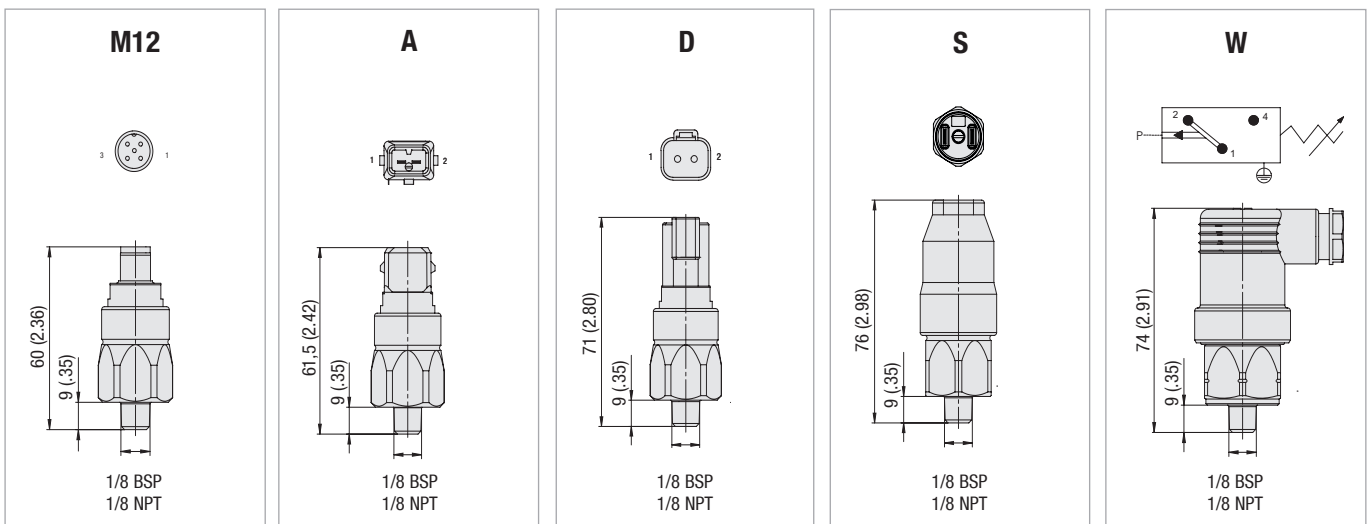
## ⑤ Pressure Setting

1,3 bar / 18.8 PSI	<b>B1.3</b>
-0,1 bar / -1.45 PSI*	<b>B-0.1</b>

\*only for Plug Type W and Connector Type G230

Note: Technical Data for Limit-Switch types please see Page 73.

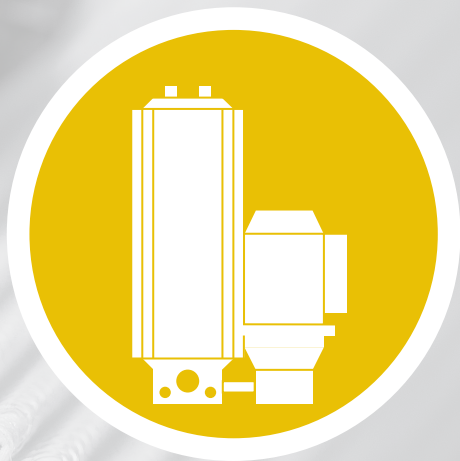
## Dimensions Plug Type








Note: The customer / user carries the responsibility for the electrical connection.

Dimensional drawings: All dimensions in mm/in.





	<b>Overview Offline and Bypass Filters</b>	<b>180</b>		<b>Bypass Filters</b>	<b>BPS</b>	<b>199 - 202</b>
	<b>STAUFF System</b>	<b>181</b>		Overview		<b>199</b>
	<b>Offline and Bypass Filters Replacement Elements</b>	<b>182</b>		Technical Data / Dimensions		<b>200 - 201</b>
	<b>Offline Filters</b>	<b>OLS</b>	<b>183 - 188</b>	Order Code - Bypass Filter		<b>201</b>
	Overview		<b>183</b>	Order Code - Filter Elements		<b>201</b>
	Technical Data / Dimensions		<b>184 - 187</b>	<b>Hydraulic Symbols / Flow Characteristics for OLS / BPS</b>		<b>202</b>
	Order Code - Offline Filter		<b>188</b>		<b>Mini Water Vac</b>	<b>SMWV</b>
	Order Code - Filter Elements		<b>188</b>	Overview		<b>204</b>
	<b>Water Absorbing Offline Filters</b>	<b>OLSW</b>	<b>189 - 194</b>	Technical Data / Dimensions		<b>204 - 205</b>
	Overview		<b>189</b>	Order Code - Offline Filter		<b>205</b>
	Technical Data / Dimensions		<b>190 - 193</b>			
	Order Code - Water Absorbing Offline Filter		<b>194</b>			
	Order Code - Filter Elements		<b>194</b>			
	Order Code - Pre-Filter Elements		<b>194</b>			
	<b>Heated Offline Filters</b>	<b>OLSH</b>	<b>195 - 198</b>			
	Overview		<b>195</b>			
	Technical Data / Dimensions		<b>196 - 197</b>			
	Order Code - Offline Filter		<b>198</b>			
	Order Code - Filter Elements		<b>198</b>			



**Product Description**

STAUFF Offline and Bypass Filter Systems are designed to keep hydraulic and lubrication systems free of particles and water contamination. STAUFF OLS and BPS Units utilize the STAUFF Systems concept for the removal of contamination from hydraulic and lubrication systems. Desiccant Air Breathers, which clean and dry the air entering the reservoir, are also part of this contamination removal system.

STAUFF Systems will provide optimal system cleanliness for today's sophisticated hydraulic and lubrication systems.

- Increased flow capacity and dirt-hold capacity
- Prevention of channel forming by radial filtration direction
- Extremely clean oil due to the high filtration efficiency  $\beta_{0,5} \geq 200$ ,  $\beta_2 \geq 2330$
- Compact and easy-maintenance design
- Longer usage life for oil and components

**Material**

- Housing: Anodized Aluminium, available with one, two or four filter housings in two different length

**Housing Pressure**

- Max. 20 bar / 290 PSI

**System Volume**

- Max. 10800 l / 2853 US GAL

**Connections**

- G3/8, G1/2 and G3/4, Fitting with 18L connection

**Differential Pressure**

- Max. 6,2 bar / 90 PSI

**Temperature**

- Max. +80 °C / +176 °F media temperature

**Media Compatibility**

- Mineral and lubrication oils, others on request

**Options and Accessories**

**Clogging Indicators**

- Visual Clogging Indicators

G



**Type OLS**

- Offline Filter System with intergrated motor/pump unit
- Availab Special designed for industrial applications



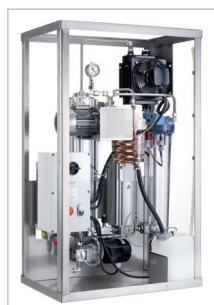
**Type BPS**

- Bypass filter units are especially designed for mobile
- Applications in hydraulic and/or transmission systems
- No special motor-pump unit is required



**Type OLSW**

- Water absorbing filter elements with large water holding capacity



**Type SMWV**

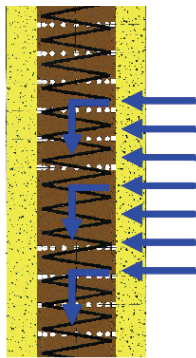
- Designated oil purification unit, it dehydrates and cleans most types of oils such as lubricating, hydraulic, transformer and switch oils
- Efficient water, gas and particle removal
- System volume: max. 3.000 l / 795 gal
- Recirculating flow rate: 90 l/h / 23.8 gal/hr
- Backpressure: max. 1 bar / 14.5 PSI
- Extension of fluid life
- Reduces fluid disposal
- Minimizes corrosion
- Reduced failures and downtime
- Reduce operating costs



**Type OLSH**

- Pre-heating unit and extremely efficient filter elements
- Increased flow capacity




**Filter Element SRM-30/-60**

**Filter Element Design**

**Air Conditioners SDB / SVDB**

### System Contamination

In today's hydraulic market it is an accepted fact that contamination causes 70 % of all mechanical failures. This contamination results from the presence of solid particles such as metal, sand and rubber.

Changes in temperature cause water vapour to condense, resulting in unwanted water in the oil, the presence of this water accelerates the deterioration of the oil.

Mainstream filters are incapable of removing particles, smaller than 2 micron (better known as silt). Fluctuations in pressure and flow result in changing conditions preventing these filters from carrying out fine filtration; most of the silt remains in the system affecting the chemical composition of the oil.

All these problems lead to reduced oil life and increased component wear, maintenance costs and machine downtime.

Removing silt and preventing the formation of free water will combat these problems.

### Micro Filtration

At the heart of the STAUFF Offline and Bypass Filter Unit is the unique microfilter element. This filter is designed with a radial flow path.

The element is constructed with 0,5 micron media and is therefore able to remove the smallest particles (silt) from the oil.

The filter material is composed primarily of cellulose, which is applied by a special wrapping method. Glass Fibre and water absorbing elements with 3-20 µm are available on request.

The cellulose material is capable of retaining solid particles and absorbing water. This helps to prevent chemical deterioration of the oil and the formation of various acids and sludge.

Hydraulic cylinder extension for example, can draw air, solid contamination particles and water vapour into the oil reservoir.

The water vapour condenses due to temperature changes and causes not only oxidation of the oil, but can also lead to serious mechanical wear in the system.

### Air Conditioning

Standard air filters remove a certain amount of solid particle contamination from the air but allow water vapour, to pass through.

The STAUFF "Air conditioners" type SDB and SVDB ensure that incoming air is first dried and then filtered. The SDB and SVDB units should be used in conjunction with the OLS / BPS Systems in order to provide a more complete filtering system. See Catalogue No. 10 - Hydraulic Accessories for more details.

### Advantages

- Less malfunction
- Protection of expensive main stream filters
- Less frequent oil changes
- Extended usable life of the oil
- Less machine downtimes

### Characteristics

- A filter fineness of 0,5 micron  $B_{0,5} \geq 200$ ,  $B_2 \geq 2330$
- Large particle collection capacity
- High filtration capacity due to depth effect
- Large water adsorption capacity
- Do not adversely affect viscosity or additives
- Do not remove additives
- Reduce the oxidation process
- Reduce the forming of acids
- With two measuring points for particle counter or oil sampling
- Save Cost

### Applications

- |   |   |
|---|---|
| <ul style="list-style-type: none"> <li>▪ Mining</li> <li>▪ Harvesting</li> <li>▪ Forestry</li> <li>▪ Agricultural</li> <li>▪ Off-road</li> <li>▪ Fishing</li> <li>▪ Road construction</li> <li>▪ Cranes</li> <li>▪ Airport equipment</li> <li>▪ Flight simulators</li> <li>▪ Pulp and paper</li> <li>▪ Food processing</li> </ul> | <ul style="list-style-type: none"> <li>▪ Presses</li> <li>▪ Automotive industry</li> <li>▪ Timber plants</li> <li>▪ Plastic and rubber</li> <li>▪ Metal industry</li> <li>▪ Cement and concrete</li> <li>▪ Material handling</li> <li>▪ Bridges/Hydraulic locks/Water works</li> <li>▪ Petrochemical industry</li> <li>▪ Power stations</li> <li>▪ Marine</li> <li>▪ Steel</li> </ul> |
|---|---|



## Offline and Bypass Filters Replacement Elements - Type SRM

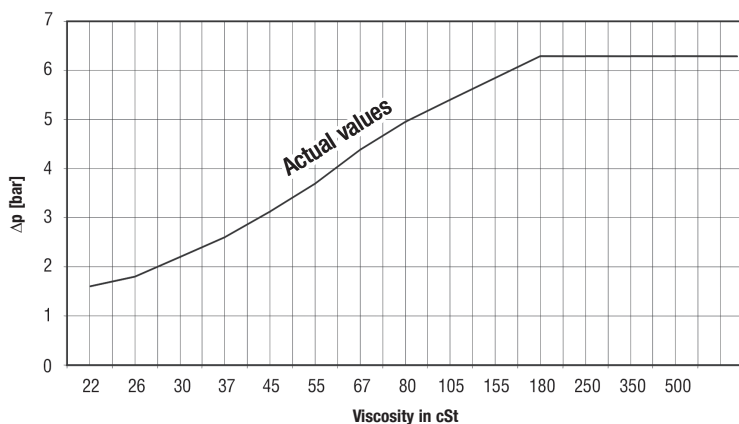
### Filter Element Technical Data

Element Model	SRM-30-H-B	SRM-60-H-B	SRM-30-E-01-B	SRM-60-E-01-B	SRM-30-E-03-B	SRM-60-E-03-B	SRM-30-EA	SRM-60-EA
Filter Material	Cellulose	Cellulose	Glass fibre	Glass fibre	Glass fibre	Glass fibre	Glass fibre and Polymer	Glass fibre and Polymer
Filtration Efficiency	$\beta_2 \geq 2331$	$\beta_2 \geq 2331$	$\beta_1 \geq 200$	$\beta_1 \geq 200$	$\beta_3 \geq 200$	$\beta_3 \geq 200$	$\beta_3 \geq 200$	$\beta_3 \geq 200$
Water Absorption Capacity	150 ml	300 ml	N/A	N/A	N/A	N/A	350 ml	700 ml
	5 oz	10 oz					11.8 oz	23.6 oz
Nominal Flow per Element	2,1 l/min	4,2 l/min	2,1 l/min	4,2 l/min	2,1 l/min	4,2 l/min	2,1 l/min	4,2 l/min
	.6 GPM	1.2 GPM	.6 GPM	1.2 GPM	.6 GPM	1.2 GPM	.6 GPM	1.2 GPM
Max. Viscosity at Nominal Flow Rate	180 cSt	180 cSt	800 cSt	800 cSt	800 cSt	800 cSt	800 cSt	800 cSt
Max. Oil Temperature	+80 °C	+80 °C	+80 °C	+80 °C	+80 °C	+80 °C	+80 °C	+80 °C
	+176 °F	+176 °F	+176 °F	+176 °F	+176 °F	+176 °F	+176 °F	+176 °F
Length of Element	300 mm	600 mm	300 mm	600 mm	300 mm	600 mm	300 mm	600 mm
	11.8 in	23.6 in	11.8 in	23.6 in	11.8 in	23.6 in	11.8 in	23.6 in
Sealing Material (Standard)	NBR (Buna-N®) and Silicone Rubber		NBR (Buna-N®)		NBR (Buna-N®)		NBR (Buna-N®)	
Other Sealing Material	Contact STAUFF							
Fluid Compatibility:								
--Mineral Oils								
H, HI, HLP, HVLP	OK		OK		OK		OK	
-- Biodegradable Oils								
HEPG Polyethyleneglycol	Contact STAUFF							
HEES Synthetic ester	OK		OK		OK		OK	
HETG Vegetable seed oil	Contact STAUFF							
-- Fire Inhibiting Fluids								
HFA emulsions	NO		OK		OK		NO	
HFC glycol/water solution	NO		OK		OK		NO	
HFD fluids no water content	Contact STAUFF							
Approximate Weight	0,8 kg		1,25 kg		1,25 kg		1,25 kg	
	1.8 lb		2.8 lb		2.8 lb		2.8 lb	

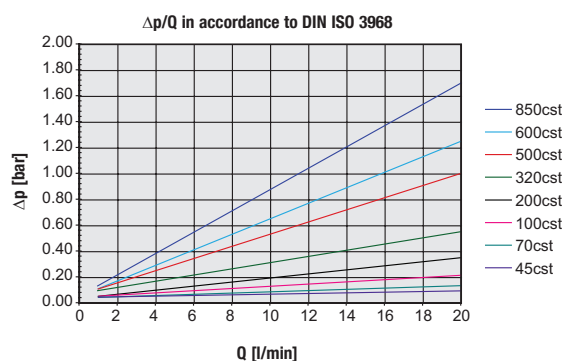
G

### Filter Element SRM-30-H-B $\Delta p$ / viscosity - graph

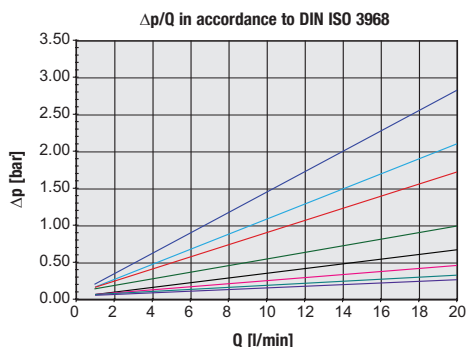
(at a flow of 2,1 l/min / .6 US GPM per element)



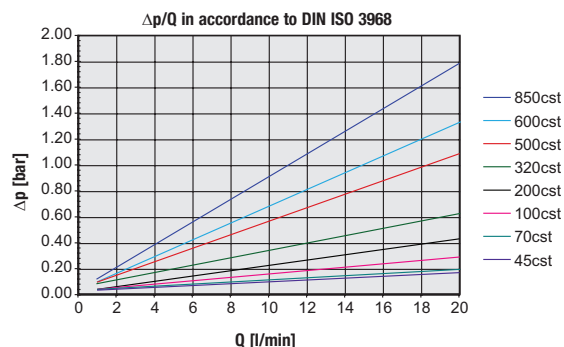
### Filter Element SRM-30-E-03-B $\Delta p$ / Viscosity-Graph



### Filter Element SRM-30-E-01-B $\Delta p$ / Viscosity-Graph



### Filter Element SRM-30-EA $\Delta p$ / Viscosity-Graph



**Offline Filters - Type OLS**
**Product Description**

STAUFF Offline Filter Units can be applied to every imaginable industrial application where hydraulic or lubrication systems are present.

An integrated motor/pump unit draws fluid out of the tank, filters it and pumps clean oil back into the system. Offline Filter Units can continue to work even if the main system is not in use. The standard range offers filter units for reservoirs with a capacity of up to 10800 l / 2853 gal.

Over the years, STAUFF Systems have developed considerable experience in the hydraulic and lubrication market cleaning systems to levels not previously possible with conventional methods.

The OLS is available with one, two or four filter housings and in two different lengths. The maximum flow for the Offline Unit goes from 2,1 ... 17 l/min / .55 ... 4.5 US GPM at a viscosity between 20 ... 160 cSt. For the OLS you can choose several different motor/pump units, for more information please see page 188 (Order code).

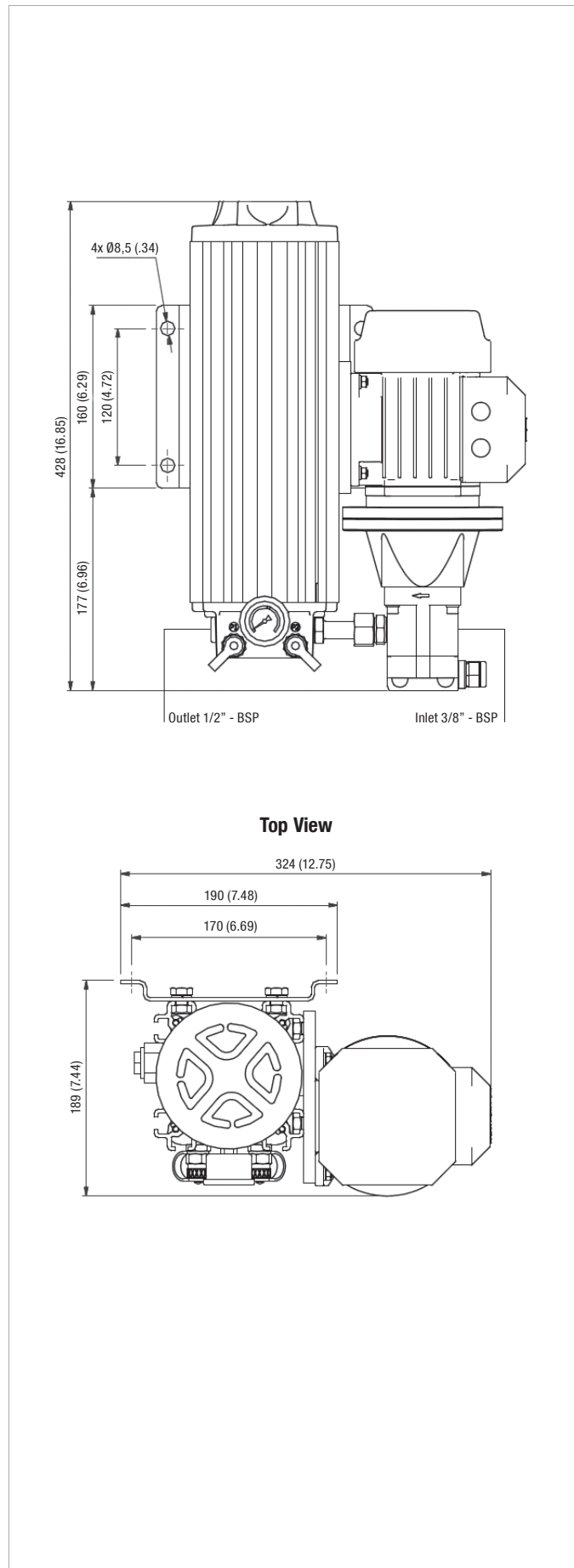
**All Offline Filter Systems are available with air driven motors. These units are ideal for areas where electric power is unavailable or for hazardous locations.**

**Single Length** (see page 184 / 185)

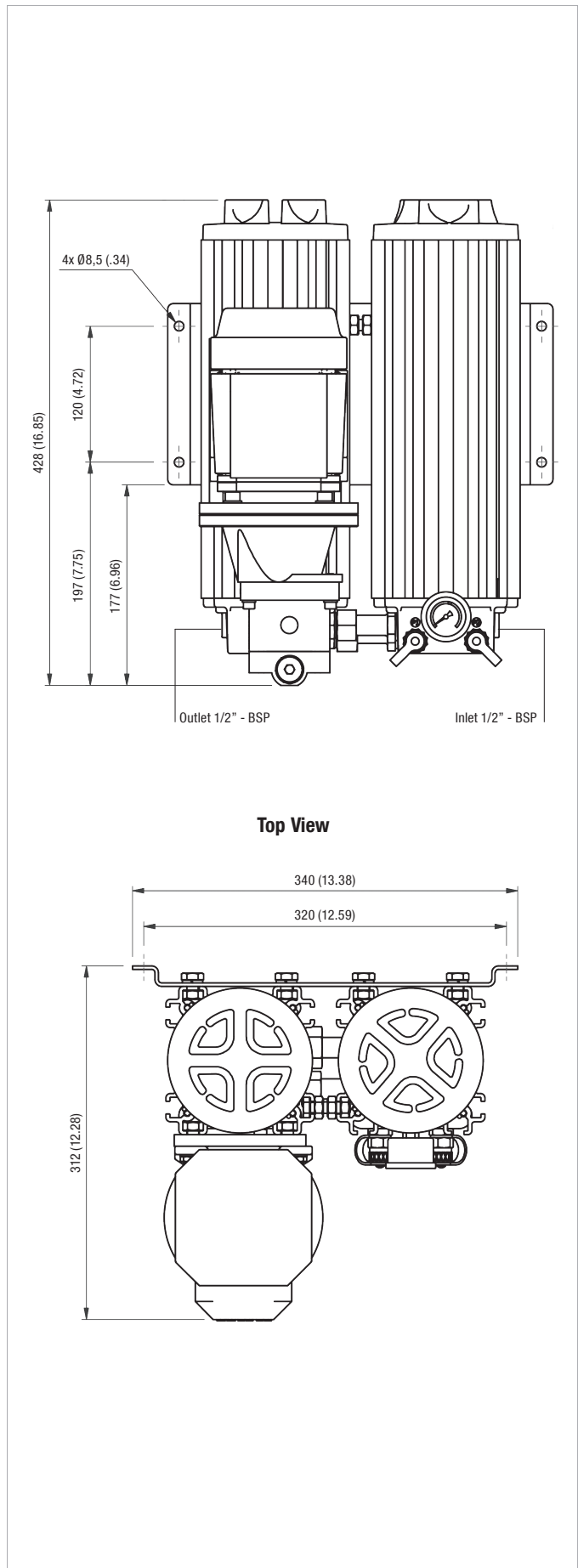
**G**
**Double Length** (see page 186 / 187)


Offline Filters - Type OLS

Dimensions OLS-1-30-H-B



Dimensions OLS-2-30-H-B

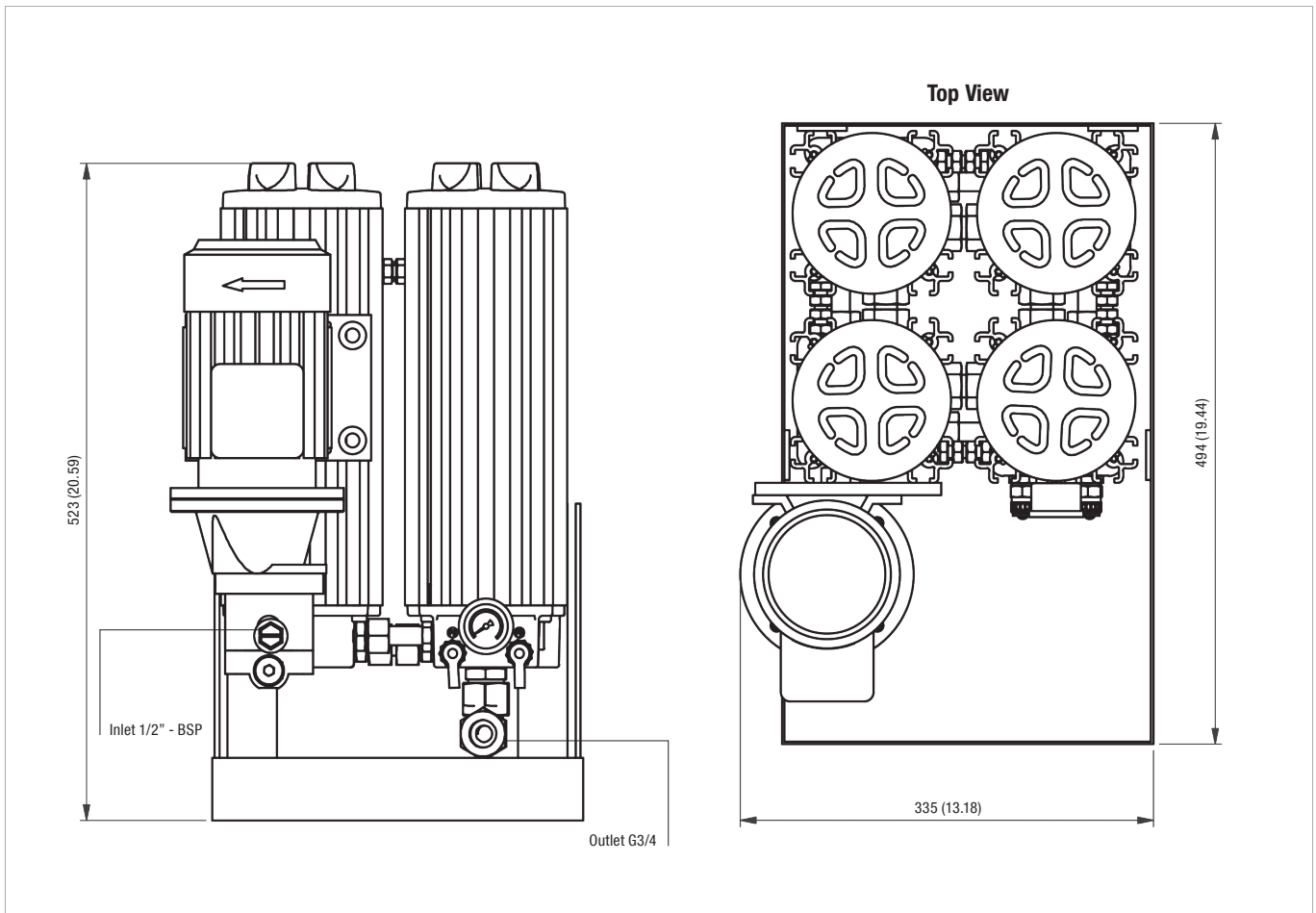


G

All dimensions in mm / in





**Dimensions OLS-4-30-H-B**


All dimensions in mm / in

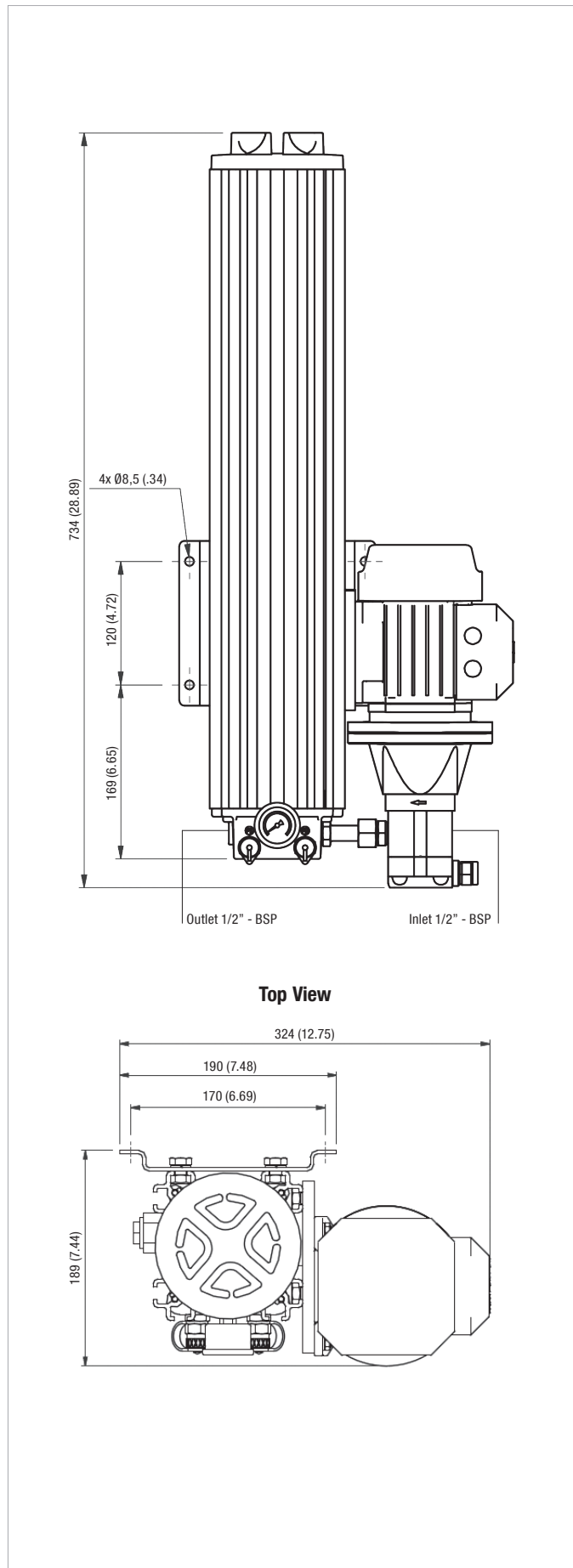
**Technical Data**

	OLS-1-30-H-B	OLS-2-30-H-B	OLS-4-30-H-B
Number of Filter Housings	1	2	4
Nominal Flow	2,1 l/min .55 US GPM	4,2 l/min 1.1 US GPM	8,4 l/min 2.22 US GPM
Max. Differential Pressure	6,2 bar 90 PSI		
Max. Fluid Temperature	+80 °C +176 °F		
Max. Housing Pressure	20 bar 290 PSI		
Viscosity Range	20 ... 160 cSt 100 ... 750 SUS		
Connection Suction Side	G3/8	G1/2	
Connection Return Side	G1/2		G3/4
Hose Diameter	1/2 in (inner diameter) flexible hose		3/4 in (inner diameter) flexible hose
Weight (Including Element)	14 kg 30.9 lbs	21 kg 46.3 lbs	39 kg 86 lbs
Max. System Volume	1350 l 356 gal	2700 l 713 gal	5400 l 1426 gal
Dimensions H x W x D	428 x 324 x 189 mm 16.85 x 12.75 x 7.44 in	428 x 340 x 312 mm 16.85 x 13.38 x 12.28 in	523 x 494 x 335 mm 20.59 x 19.44 x 13.18 in
Connection for Online Particle Counter	STAUFF Test (M16 x 2)		
Pump	Gear pump		
Motor	See page 188 for electric motor details		
Connection Oil-Analysis: P1 filter inlet side P2 filter outlet side	Test connector (M16 x 2) Red Test connector (M16 x 2) Yellow		

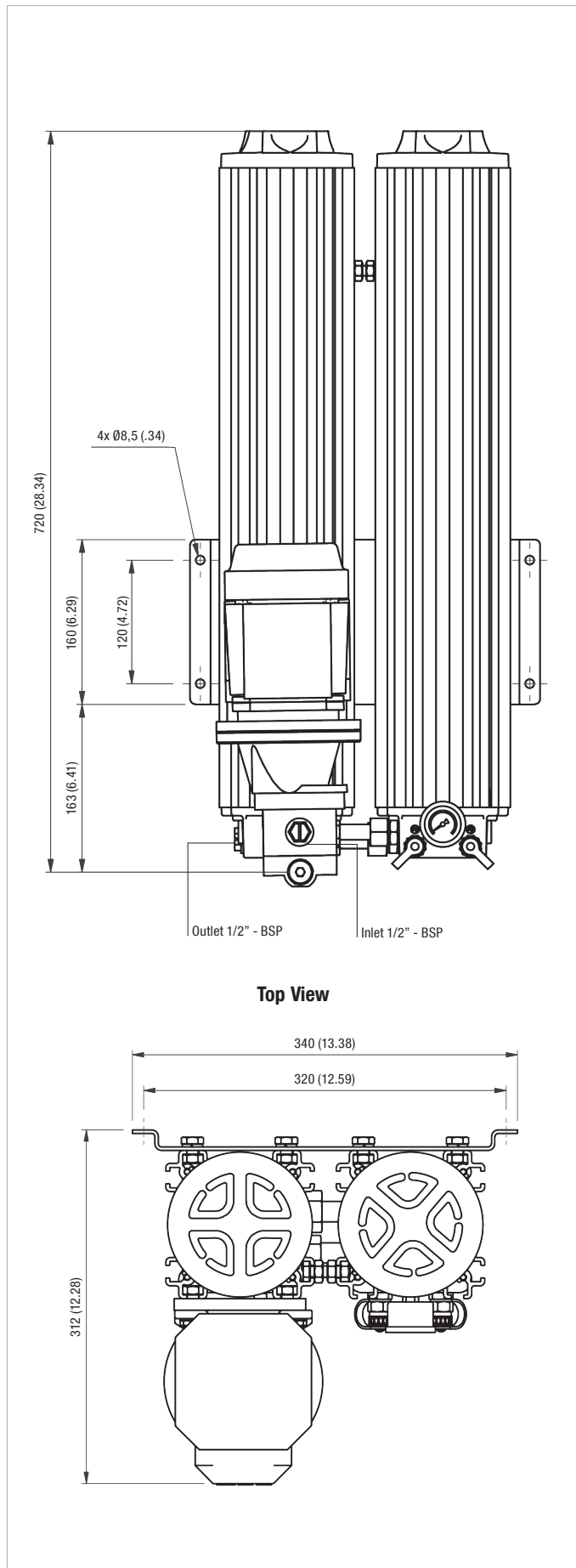
**G**


Offline Filters • Type OLS

Dimensions OLS-1-60-H-B



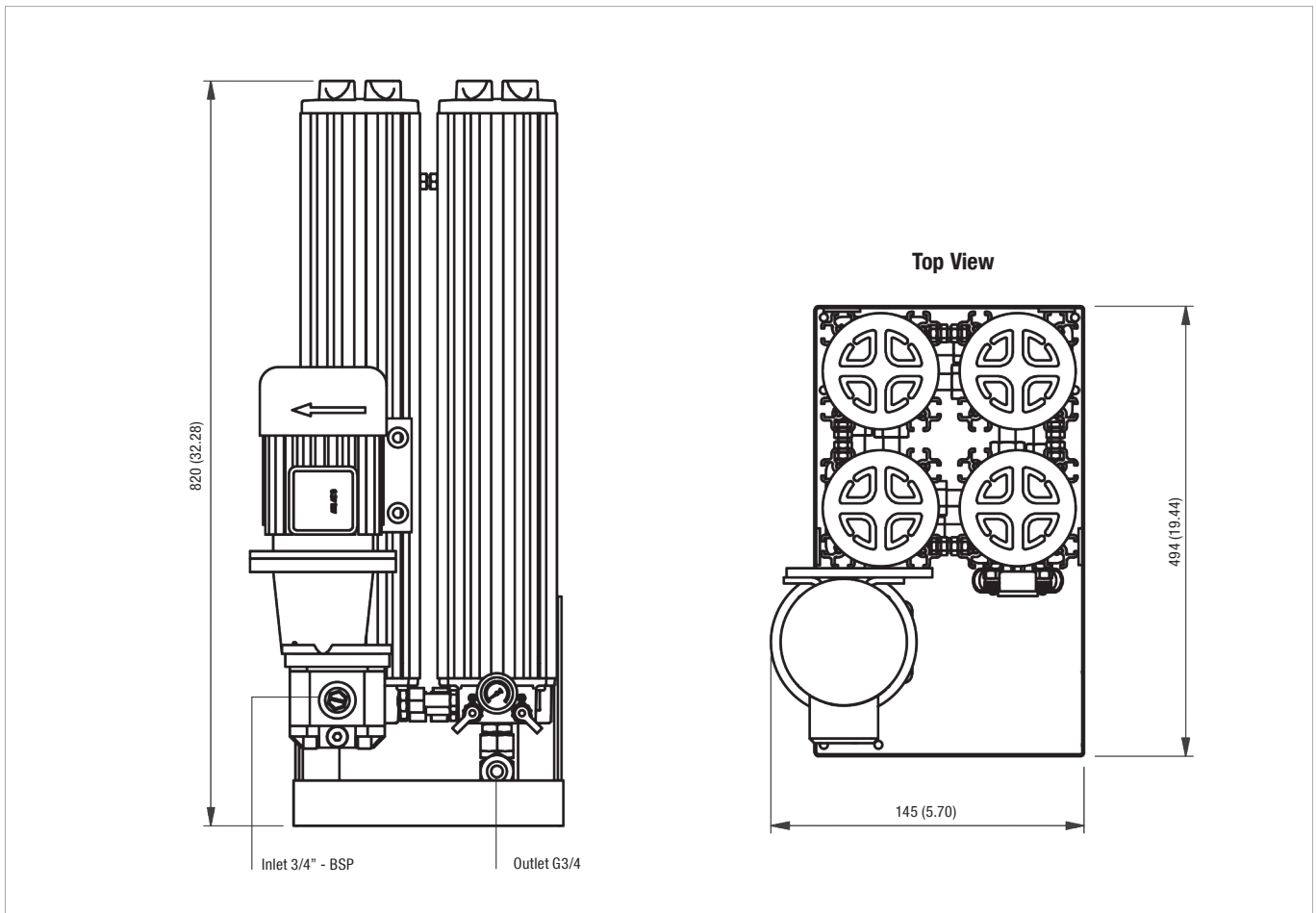
Dimensions OLS-2-60-H-B



G

All dimensions in mm / in



**Dimensions OLS-4-60-H-B**


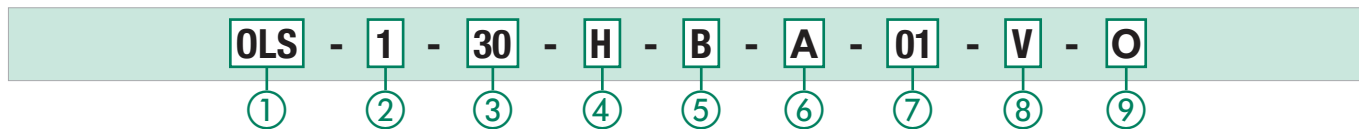
All dimensions in mm / in

**Technical Data**

	OLS-1-60-H-B	OLS-2-60-H-B	OLS-4-60-H-B
<b>Number of Filter Housings</b>	1	2	4
<b>Nominal Flow</b>	4,2 l/min 1.1 US GPM	8,4 l/min 2.22 US GPM	17 l/min 4.5 US GPM
<b>Max. Differential Pressure</b>	6,2 bar 90 PSI		
<b>Max. Fluid Temperature</b>	+80 °C +176 °F		
<b>Max. Housing Pressure</b>	20 bar 290 PSI		
<b>Viscosity Range</b>	20 ... 160 cSt 100 ... 750 SUS		
<b>Connection Suction Side</b>	G1/2	G1/2	G3/4
<b>Connection Return Side</b>	G1/2		G3/4
<b>Hose Diameter</b>	1/2 in (inner diameter) flexible hose		3/4 in (inner diameter) flexible hose
<b>Weight (Including Element)</b>	18 kg 39.7 lbs	30 kg 66.1 lbs	61 kg 134.5 lbs
<b>Max. System Volume</b>	2700 l 713 gal	5400 l 1426 gal	10800 l 2853 gal
<b>Dimensions H x W x D</b>	734 x 324 x 189 mm 28.66 x 13.19 x 7.48 in	720 x 340 x 312 mm 28.90 x 13.39 x 12.72 in	820 x 494 x 145 mm 32.28 x 19.44 x 5.70 in
<b>Connection for Online Particle Counter</b>	STAUFF Test (M16 x 2)		
<b>Pump</b>	Gear pump		
<b>Motor</b>	See page 188 for electric motor details		
<b>Connection Oil-Analysis: P1 filter inlet side P2 filter outlet side</b>	Test connector (M16 x 2) Red Test connector (M16 x 2) Yellow		

**G**


Offline Filter Housings / Complete Filters ▪ Type OLS



① Type

Offline Filter Unit (for industrial applications)	<b>OLS</b>
--	------------

② Housing Configuration

Single housing	<b>1</b>
Twin housing	<b>2</b>
Quadruple housing	<b>4</b>

③ Filter Element Length

300 mm / 11.81 in	<b>30</b>
600 mm / 23.62 in	<b>60</b>

④ Filter Material and Micron Rating

Material	Micron rating µm	Code
Cellulose (standard)	0,5	<b>H</b>
Inorg. glass fibre	1	<b>E-01</b>
Inorg. glass fibre	3	<b>E-03</b>
Inorg. glass fibre	5	<b>E-05</b>
Inorg. glass fibre	10	<b>E-10</b>
Inorg. glass fibre	20	<b>E-20</b>
Inorg. glass fibre and polymer (water absorption)	5	<b>EA</b>

⑤ Sealing Material

NBR (Buna-N®) (standard)	<b>B</b>
FKM (Viton®)	<b>V</b>

⑥ E-motor Options

Motor Type	Code
230/400 V AC, 50 Hz, three phases, 1360 r/min 255/460 V AC, 60 Hz, three phases, 1630 r/min (50 Hz and 60 Hz standard)	<b>A</b>
230 V AC, 50 Hz, single phase, 1360 r/min	<b>G</b>
110 V AC, 50 Hz, single phase	<b>I</b>
110 V AC, 60 Hz, single phase	<b>J</b>
230 V AC, 60 Hz, single phase, 1630 r/min	<b>H</b>

Note: Special motors on request.

⑦ Pump Options

50 Hz Motor	Standard in	Code
1,6 cc/rev.	OLS-1-30	<b>00</b>
3,15 cc/rev.	OLS-2-30/1-60	<b>10</b>
6,1 cc/rev.	OLS-4-30/2-60	<b>20</b>
8,2 cc/rev.		<b>30</b>
11,3 cc/rev.	OLS-4-60	<b>40</b>
0,8 cc/rev.		<b>50</b>

60 Hz motor	Standard in	Code
1,25 cc/rev.	OLS-1-30	<b>01</b>
2,5 cc/rev.	OLS-2-30/1-60	<b>11</b>
5,0 cc/rev.	OLS-4-30/2-60	<b>21</b>
6,3 cc/rev.		<b>31</b>
10 cc/rev.	OLS-4-60	<b>41</b>

⑧ Clogging Indicator

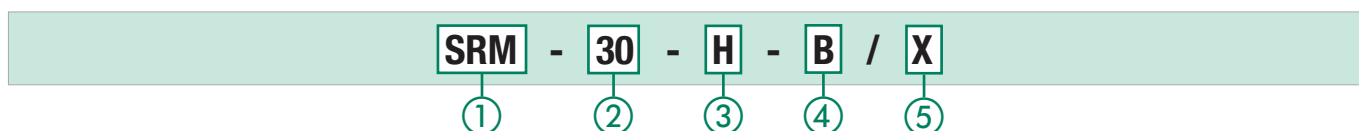
Visual clogging indicator	<b>V</b>
---------------------------	----------

⑨ Mounting Options

No options (standard)	<b>0</b>
Motor / pump right side mounted	<b>1</b>
Motor / pump left side mounted	<b>2</b>

G

Filter Elements ▪ Type SRM



① Type

Filter Element Series	<b>SRM</b>
-----------------------	------------

② Filter Element Length

300 mm / 11.81 in	<b>30</b>
600 mm / 23.62 in	<b>60</b>

③ Filter Material and Micron Rating

Material	Micron rating µm	Code
Cellulose (standard)	0,5	<b>H</b>
Inorg. glass fibre	1	<b>E-01</b>
Inorg. glass fibre	3	<b>E-03</b>
Inorg. glass fibre	5	<b>E-05</b>
Inorg. glass fibre	10	<b>E-10</b>
Inorg. glass fibre	20	<b>E-20</b>
Inorg. glass fibre and polymer (water absorption)	5	<b>EA</b>

④ Sealing Material

NBR (Buna-N®) (standard)	<b>B</b>
FKM (Viton®)	<b>V</b>

⑤ Design Code

Only for information	<b>X</b>
----------------------	----------

Technical Data on Electric Motors used for OLS Filters (For air driven motors contact STAUFF)

E-motor	Standard Configuration	Description	Power in kW	Power in HP	Voltage 50 Hz	Amp 50 Hz	RPM 50 Hz	Voltage 60 Hz	Amp 60 Hz	RPM 60 Hz
I, J	OLS-1-30 OLS-2-30 OLS-1-60	M63 B3/B5 4P 110V MULTIVOLT	0,18	0.24	110 V AC	3,30		110 V AC	2,70	
G, H	OLS-1-30 OLS-2-30 OLS-1-60	M63 B3/B5 4P 230 MULTIVOLT	0,18	0.24	230 V AC	1,57		230 V AC	1,34	
A	OLS-1-30 OLS-2-30 OLS-1-60	M63 B3/B5 4P 3PH MULTIVOLT	0,18	0.24	230/400 V AC	1,03 / 0,60		254/440 V AC	0,90 / 0,52	
A	OLS-2-60 OLS-4-30	M63 B3/B5 4P 3PH MULTIVOLT	0,29	0.39	230/400 V AC	1,65 / 0,95	1460	254/440 V AC	1,47 / 0,85	1740
I, J	OLS-2-60 OLS-4-30 OLS-4-60	M71 B3/B5 4P 110V MULTIVOLT	0,37	0.50	110 V AC	6,10		110 V AC	5,20	
G, H	OLS-2-60 OLS-4-30 OLS-4-60	M71 B3/B5 4P 230V MULTIVOLT	0,37	0.50	230 V AC	3,00		230 V AC	2,65	
A	OLS-4-60	M71 B3/B5 4P 3PH MULTIVOLT	0,37	0.50	230/400 V AC	1,90 / 1,10		254/440 V AC	1,60 / 0,93	



**Water Absorbing Offline Filter - Type OLSW**
**Product Description**

STAUFF Systems Units are characterized by their extremely efficient filter elements which are rated to 5 micron. Specially designed for industrial hydraulic installations the STAUFF Offline Filters are available in single or double length configurations. The Offline Filter Units can easily be mounted to new and existing hydraulic installations. By means of an integrated motor/pump unit and an Offline Filter, the oil is pumped from the reservoir through the filter unit and after filtering the oil is then returned to the tank.

**Economical**

The hydraulic market accepts that 80 % of mechanical failures are caused by contamination in the system. The STAUFF Water Absorbing Offline Filters attack this contamination at source and in addition to solid particles, these filters are also capable of removing large quantities of water from the oil. This prevents the catalytic reaction of water and solid particle contamination, resulting in extended useable oil life.

The application of STAUFF Filters results in lower component failure rates, less down time and less system maintenance.

**Water Absorbing**

STAUFF Water Absorbing Filters are Offline Units that use special water absorbing Spin-On Filter Elements as a pre-filter. The fluid is pumped through the pre-filter which removes most water and larger solid contamination, in the second stage the fluid passes through the STAUFF Micro Filter where final water removal takes place as well as solid removal down to 0,5 micron.

In recent years STAUFF Systems have developed a great deal of experience in cleaning and drying hydraulic and lubrication systems in the following markets:

- Steel industry
- Maritime industry
- Petrochemical industry
- Paper industry

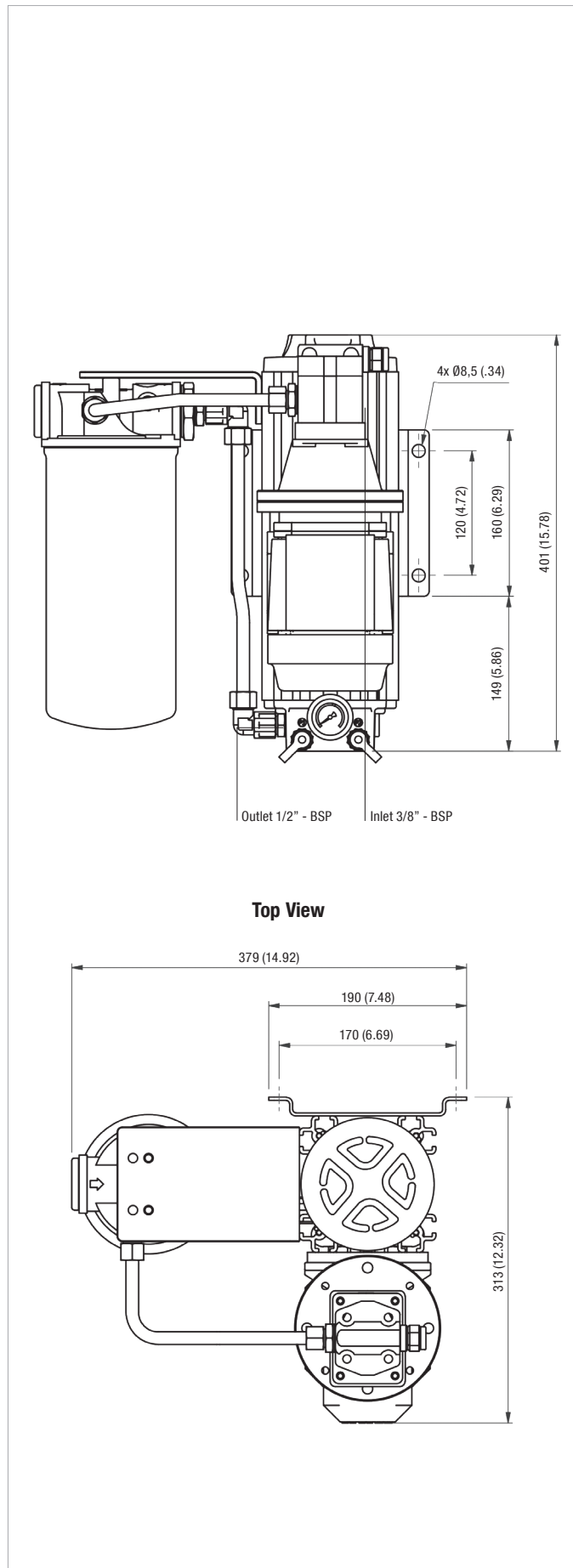
**Advantages**

- Extremely clean oil due to the high filtration efficiency  $\beta_{0,5} \geq 200$ ,  $\beta_2 \geq 2330$
- Prevention of channel forming by radial filtration direction
- Increased flow capacity
- Increased dirt-hold capacity
- Large water holding capacity
- Compact and easy-maintenance design
- Longer usage life for oil and components

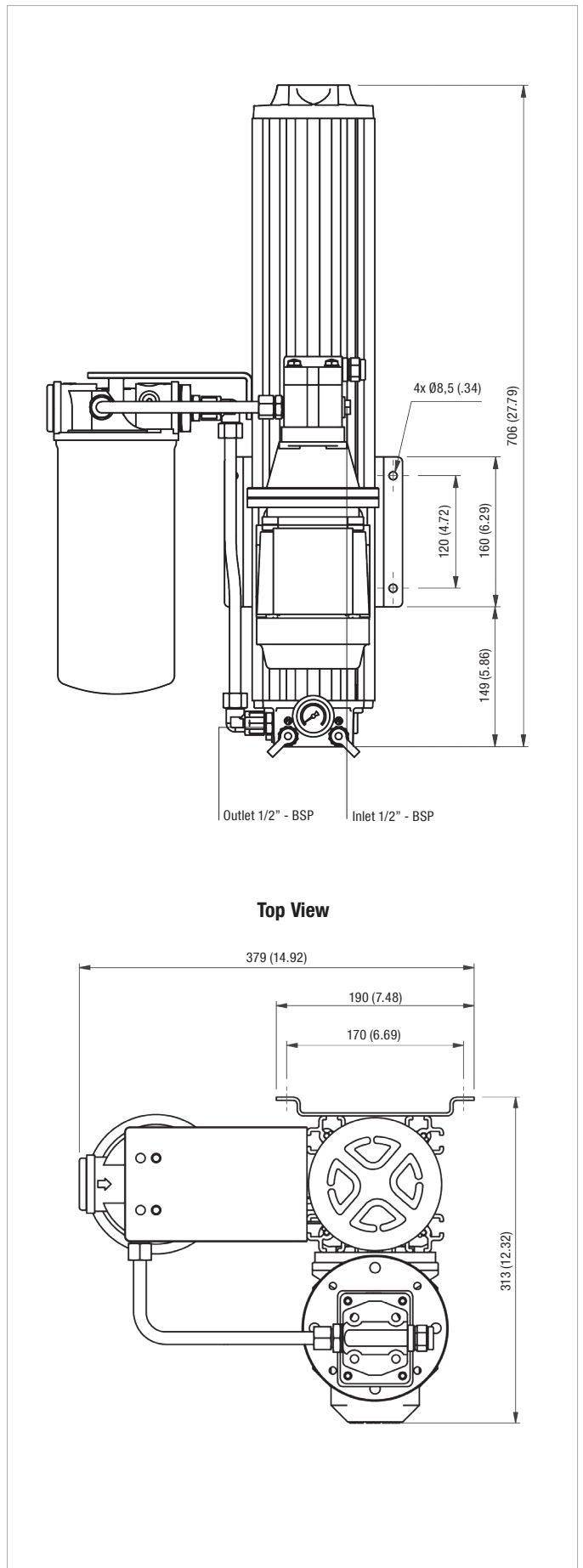

**G**


Water Absorbing Offline Filter - Type OLSW

Dimensions OLSW-1-30



Dimensions OLSW-1-60



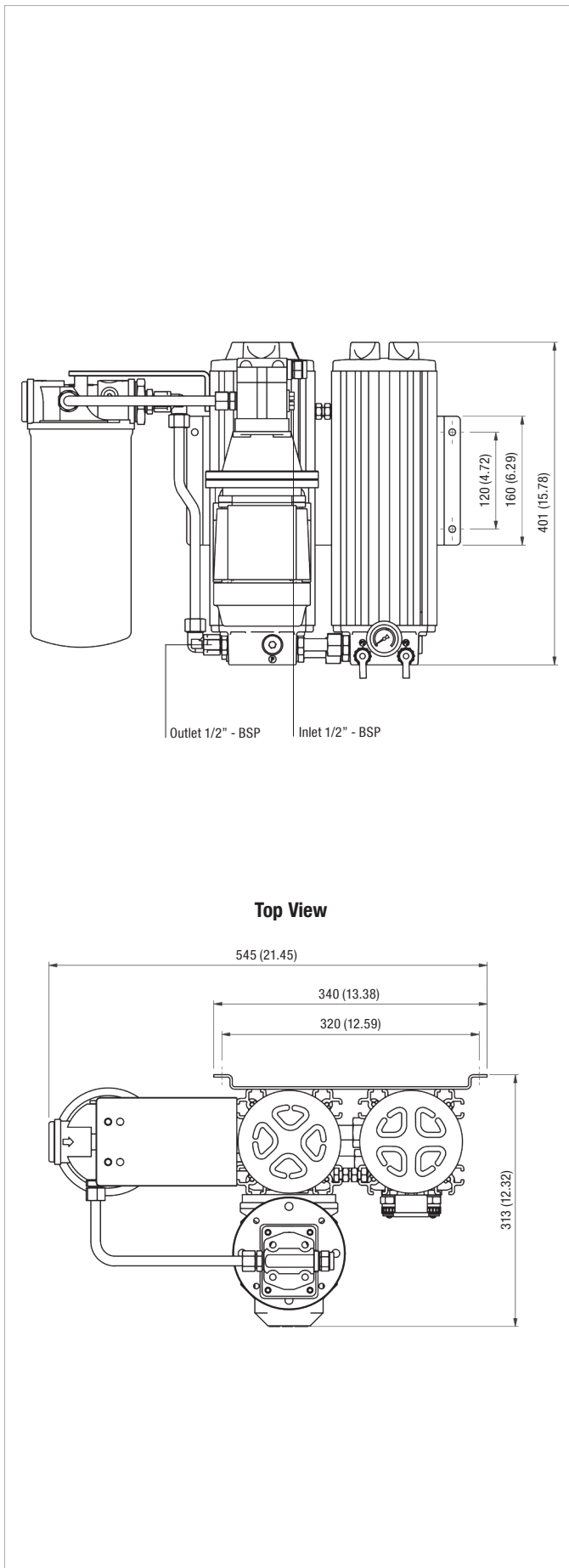
G

All dimensions in mm / in

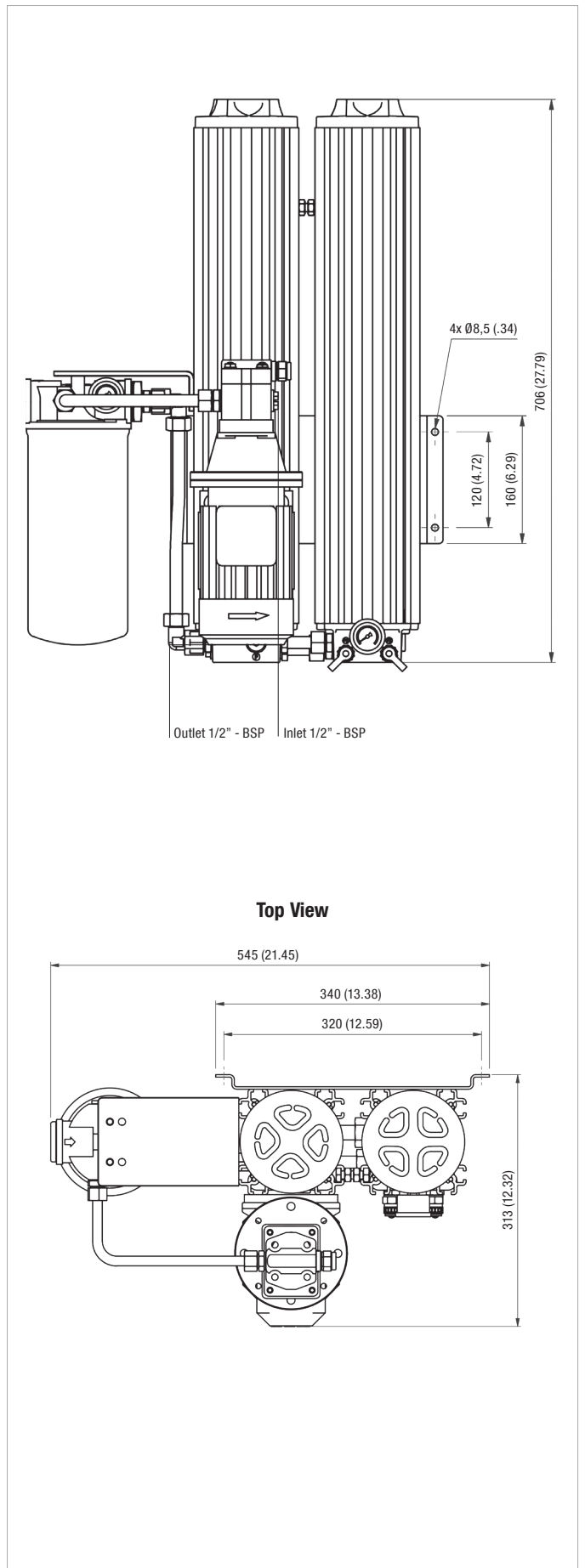


Water Absorbing Offline Filter - Type OLSW

Dimensions OLSW-2-30



Dimensions OLSW-2-60



G

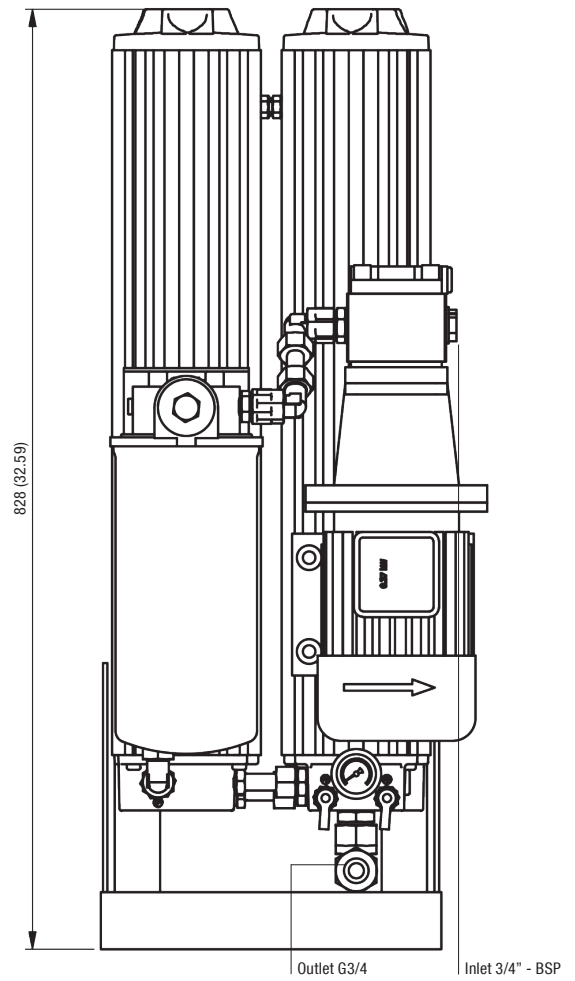
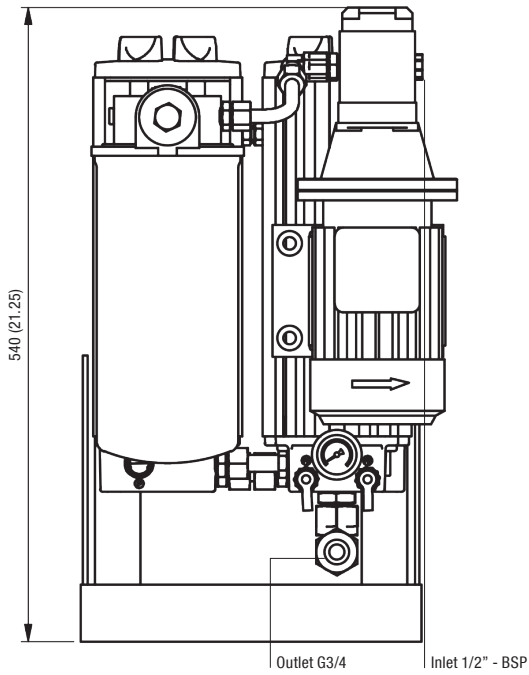
All dimensions in mm / in



Water Absorbing Offline Filter - Type OLSW

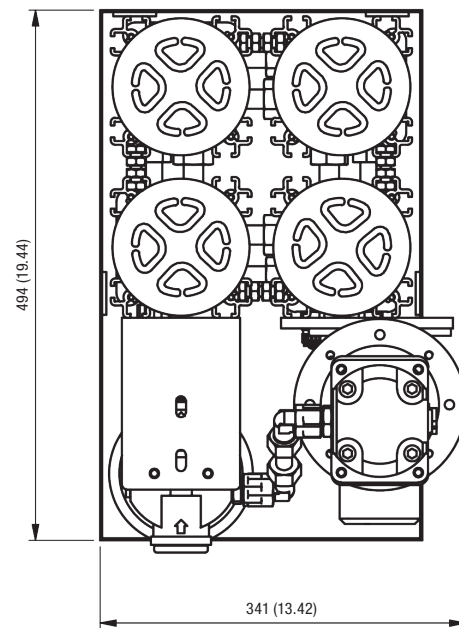
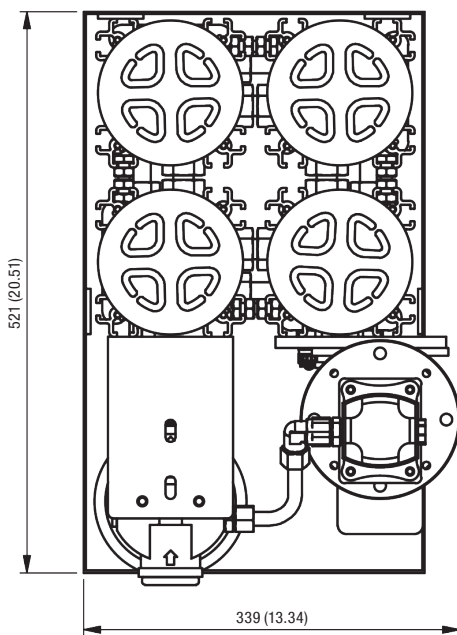
Dimensions OLSW-4-30

Dimensions OLSW-4-60



Top View

Top View



All dimensions in mm / in

G

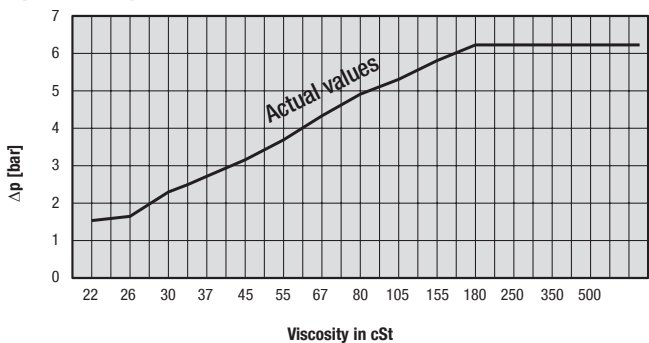
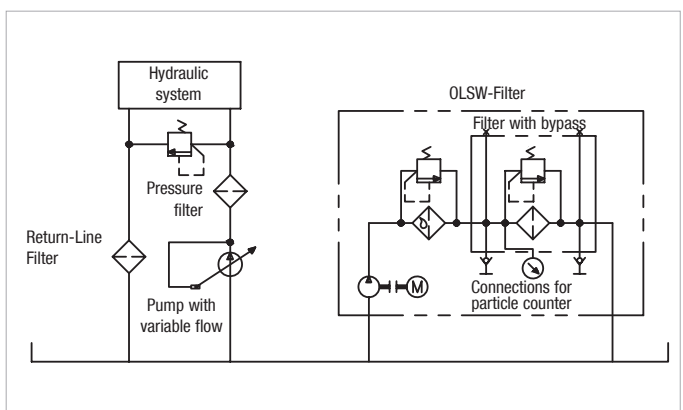




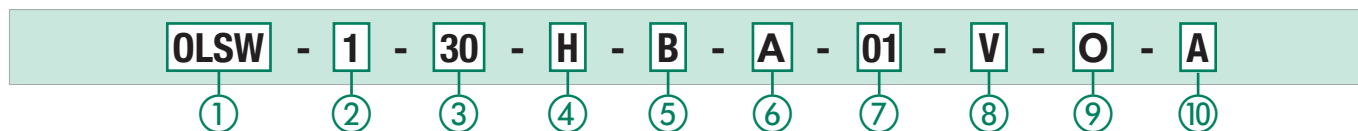
**Water Absorbing Offline Filter - Type OLSW**
**Technical Data OLSW**

	OLSW-1-30-H-B	OLSW-1-60-H-B	OLSW-2-30-H-B	OLSW-2-60-H-B	OLSW-4-30-H-B	OLSW-4-60-H-B
Number of Filter Housings	1	1	2	2	4	4
Nominal Flow	2,1 l/min .6 US GPM	4,2 l/min 1.1 US GPM	4,2 l/min 1.1 US GPM	8,4 l/min 2.2 US GPM	8,4 l/min 2.2 US GPM	16,8 l/min 4.4 US GPM
Max. Differential Pressure	6,2 bar over the filter element without backpressure 90 PSI over the filter element without backpressure					
Water Absorbing Capacity	794 ml 25 oz.	1144 ml 38 oz.	1144 ml 38 oz.	1844 ml 62 oz.	1844 ml 62 oz.	3244 ml 109 oz.
Max. Fluid Temperature	+80 °C +176 °F					
Max. Housing Pressure	20 bar 290 PSI					
Viscosity Range	20 ... 160 cSt 100 ... 750 SUS					
Connection Suction Side	G3/8	G1/2	G1/2	G1/2	G1/2	G3/4
Connection Return Side	G1/2	G1/2	G1/2	G1/2	G3/4	G3/4
Hose Diameter	1/2 in (inner diameter) flexible hose					3/4 in (inner diameter) flexible hose
Weight (including Element)	18 kg 39.7 lbs	22 kg 48.5 lbs	25 kg 55.1 lbs	34 kg 75.0 lbs	43 kg 94.8 lbs	65 kg 143.3 lbs
Max. System Volume	1350 l 356 gal	2700 l 713 gal	2700 l 713 gal	5400 l 1427 gal	5400 l 1427 gal	10800 l 2853 gal
Dimensions H x B x L	401 x 379 x 313 mm 15.78 x 14.92 x 12.32 in	706 x 379 x 313 mm 27.79 x 14.92 x 12.32 in	401 x 545 x 313 mm 15.78 x 21.45 x 12.32 in	706 x 545 x 313 mm 27.79 x 21.45 x 12.32 in	540 x 339 x 521 mm 21.25 x 13.34 x 20.51 in	928 x 341 x 494 mm 36.53 x 13.42 x 19.44 in
Pump	Gear pump					
Connection Oil-Analysis: P1 filter inlet side P2 filter outlet side	Test connector (M16 x 2) Red Test connector (M16 x 2) Yellow					

**G**

**Water absorbing spin-on filter element**
**Δp / Viscosity for OLSW-Filter**

**System Example**
**Schematic Offline Filtration incl. Water Absorption**


Water Absorbing Offline Filter Housings / Complete Filters ▪ Type OLSW



① Type

Offline Filter Unit incl. water absorption (for industrial applications)	<b>OLSW</b>
--	-------------

② Housing Configuration

Single housing	<b>1</b>
Twin housing	<b>2</b>
Quadruple housing	<b>4</b>

③ Filter Element Length

300 mm / 11.81 in	<b>30</b>
600 mm / 23.62 in	<b>60</b>

④ Filter Material and Micron Rating

Material	Micron rating µm	Code
Cellulose (standard)	0,5	<b>H</b>
Inorg. glass fibre and polymer (water absorption)	5	<b>EA</b>

⑤ Sealing Material

NBR (Buna-N®) (standard)	<b>B</b>
FKM (Viton®)	<b>V</b>

⑥ E-motor Options

Motor Type	Code
230/400 V AC, 50 Hz, three phases, 1360 r/min 255/460 V AC, 60 Hz, three phases, 1630 r/min (50 Hz and 60 Hz standard)	<b>A</b>
230 V AC, 50 Hz, single phase, 1360 r/min	<b>G</b>
110 V AC, 50 Hz, single phase	<b>I</b>
110 V AC, 60 Hz, single phase	<b>J</b>

Note: Special motors on request.

⑦ Pump Options

50 Hz Motor	Standard in	Code
1,6 cc/rev.	OLSW-1-30	<b>00</b>
3,15 cc/rev.	OLSW-1-60/2-30	<b>10</b>
6,1 cc/rev.	OLSW-2-60/4-30	<b>20</b>
11,3 cc/rev.	OLSW-4-60	<b>40</b>

60 Hz Motor	Standard in	Code
1,25 cc/rev.	OLSW-1-30	<b>01</b>
2,5 cc/rev.	OLSW-1-60/2-30	<b>11</b>
5,0 cc/rev.	OLSW-2-60/4-30	<b>21</b>
10 cc/rev.	OLSW-4-60	<b>41</b>

⑧ Clogging Indicator

Visual clogging indicator	<b>V</b>
---------------------------	----------

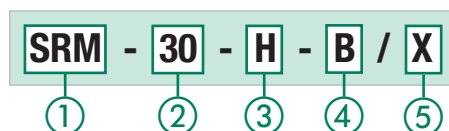
⑨ Mounting Options

No options (standard)	<b>0</b>
-----------------------	----------

⑩ Pre-Filter Elements

Water absorption element	
SF-6721-W (10 micron water absorbing, capacity 444 ml water)	<b>A</b>
Pre-filter elements (particles)	
without pre-filter element	<b>0</b>
SF-6702-MG (inorganic glass fibre, 1 micron)	<b>B</b>
SF-6704-MG (inorganic glass fibre, 3 micron)	<b>C</b>
SF-6707-MG (inorganic glass fibre, 6 micron)	<b>D</b>
SF-6731-MG (inorganic glass fibre, 12 micron)	<b>E</b>
SF-6726-MG (inorganic glass fibre, 25 micron)	<b>F</b>
SF-6721 (filter paper, 10 micron)	<b>G</b>
SF-6711 (filter paper, 25 micron)	<b>H</b>
SF-6791 (wire mesh, 125 micron)	<b>J</b>

Filter Elements ▪ Type SRM



① Type

Filter Element Series	<b>SRM</b>
-----------------------	------------

② Filter Element Length

300 mm / 11.81 in	<b>30</b>
600 mm / 23.62 in	<b>60</b>

③ Filter Material and Micron Rating

Material	Micron rating µm	Code
Cellulose (standard)	0,5	<b>H</b>
Inorg. glass fibre and polymer (water absorption)	5	<b>EA</b>

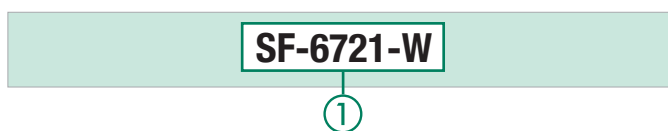
④ Sealing Material

NBR (Buna-N®) (standard)	<b>B</b>
FKM (Viton®)	<b>V</b>

⑤ Design Code

Only for information	<b>X</b>
----------------------	----------

Pre-Filter Elements ▪ Type SF-67



① Pre-Filter Elements

Water absorption element	
SF-6721-W (10 micron water absorbing, capacity 444 ml water)	<b>A</b>
Pre-filter elements (particles)	
without pre-filter element	<b>0</b>
SF-6702-MG (inorganic glass fibre, 1 micron)	<b>B</b>
SF-6704-MG (inorganic glass fibre, 3 micron)	<b>C</b>
SF-6707-MG (inorganic glass fibre, 6 micron)	<b>D</b>
SF-6731-MG (inorganic glass fibre, 12 micron)	<b>E</b>
SF-6726-MG (inorganic glass fibre, 25 micron)	<b>F</b>
SF-6721 (filter paper, 10 micron)	<b>G</b>
SF-6711 (filter paper, 25 micron)	<b>H</b>
SF-6791 (wire mesh, 125 micron)	<b>J</b>



**Heated Offline Filters ▪ Type OLSH**
**Product Description**

STAUFF System Units are characterized by their pre-heating unit and extremely efficient filter elements with a fineness of 0,5 micron.

Specially designed for industrial hydraulic installations, the STAUFF Offline Filters are available in single or multiple housing configurations. The Offline Filter Units can easily be mounted to new and existing hydraulic installations.

By means of an integrated motor/pump unit and an Offline Filter, the oil is pumped from the reservoir through the filter unit and after filtering the oil is then returned to the tank.

**Economical**

The hydraulic market accepts that 70 % of the mechanical failures are caused by contamination in the system. The STAUFF Offline Filters attack this contamination at the source. In addition to solid particles, these filters are also capable of removing water from the oil. This prevents the catalytic reaction of water and solid particle contamination, resulting in extended usable of life.

The application of STAUFF Filters results in lower component failure rates, less down time and less system maintenance.

In recent years STAUFF Systems have developed a great deal of experience in cleaning and drying hydraulic and lubrication systems in the following markets:

- Steel industry
- Maritime industry
- Petrochemical industry
- Paper industry

**Heated Offline Filters**

The electric pre-heating ensures that the cold and/or high viscosity fluid is brought to a temperature with a suitable filtration viscosity. Offline Filters with pre-heating can be applied to new or existing installations. The integrated pump-motor combination draws fluid from the reservoir, pumps it through a heating element, filters the fluid and returns it to the reservoir.

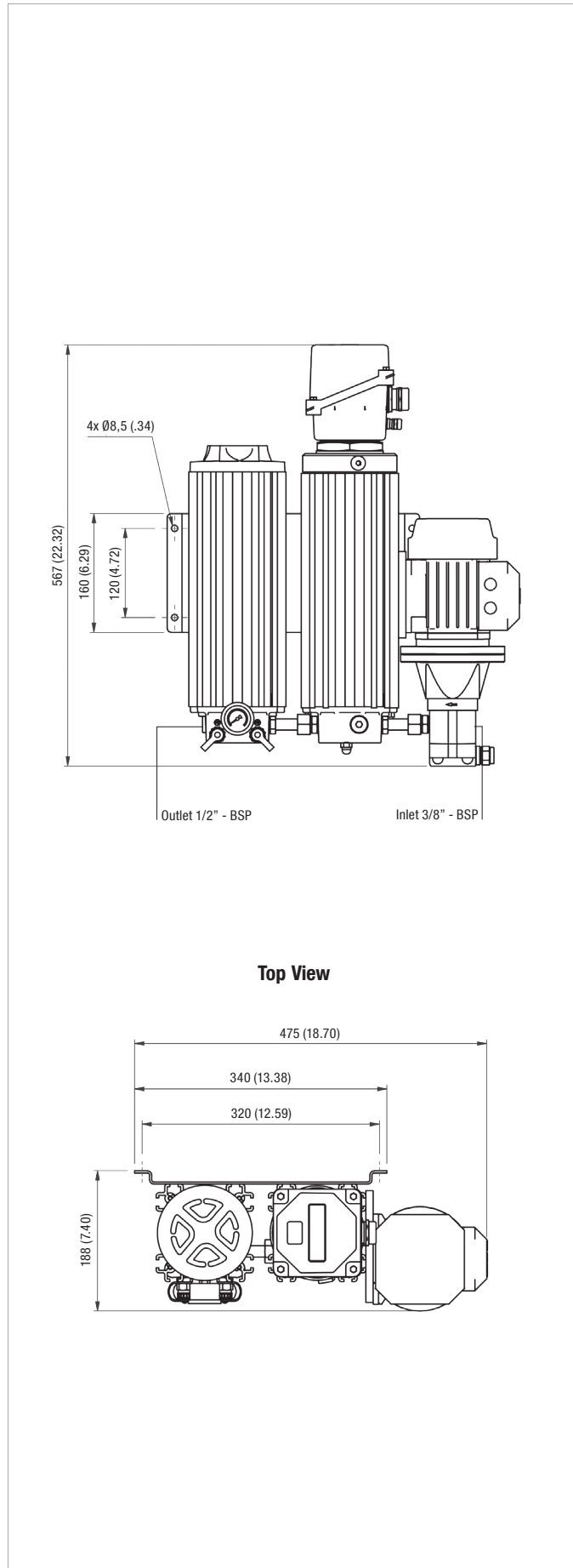
**Advantages**

- Extremely clean oil due to the high filtration efficiency  $\beta_{0,5} \geq 200$ ,  $\beta_2 \geq 2330$
- Prevention of channel forming by radial filtration direction
- Increased flow capacity
- Increased dirt holding capacity
- Large water holding capacity
- Compact and easy maintenance design
- Longer usage life for oil and components

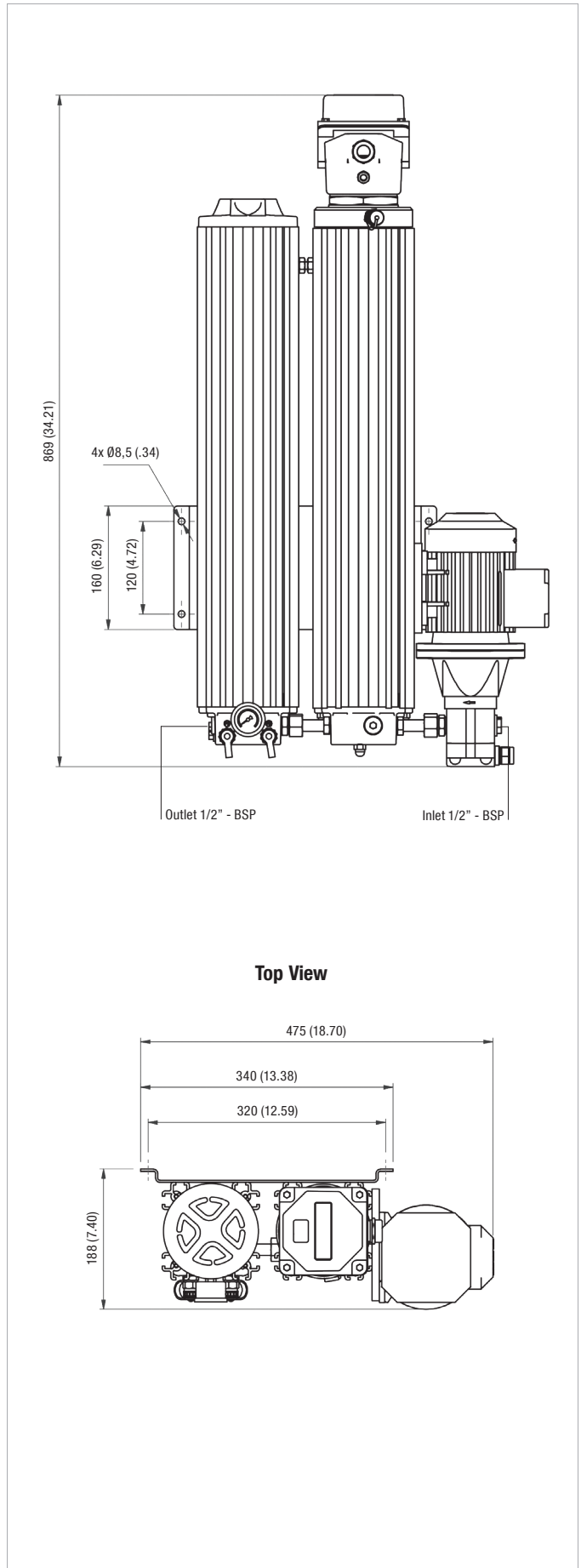


Heated Offline Filters - Type OLSH

Dimensions OLSH-1-30-H-B



Dimensions OLSH-1-60-H-B



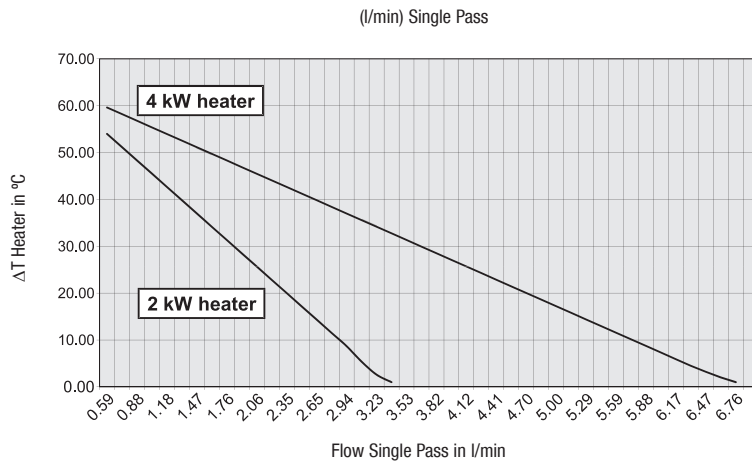
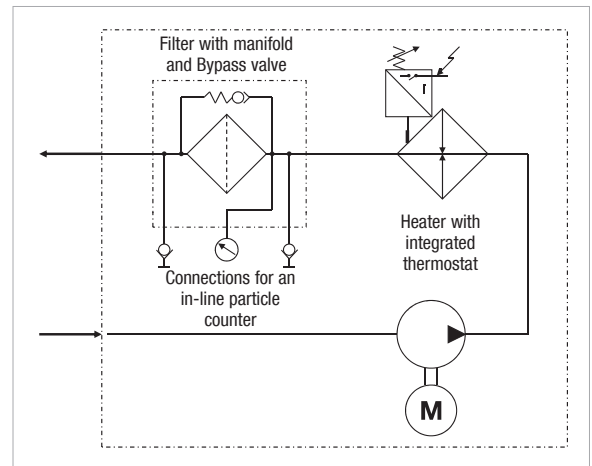
G

All dimensions in mm / in

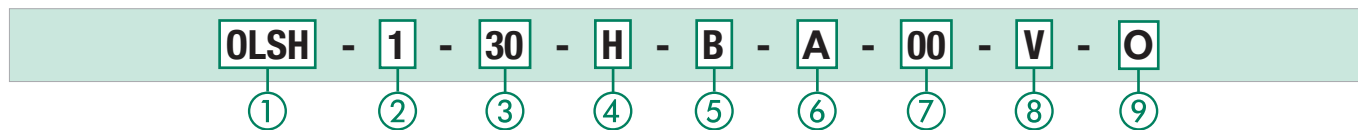


**Heated Offline Filters - Type OLSH**
**Technical Data Heated Offline Filters**

	OLSH-1-30-H-B	OLSH-1-60-H-B
Number of Filter Housings	1	1
Nominal Flow	2,1 l/min .6 US GPM	4,2 l/min 1.2 US GPM
Max. Differential Pressure	6,2 bar 90 PSI	
Max. Fluid Temperature	+80 °C +176 °F	
Max. Housing Pressure	20 bar 290 PSI	
Heater Capacity	2 kW	
Connection Suction Side	G3/8	G1/2
Connection Return Side	G1/2	G1/2
Hose Diameter	1/2 in (inner diameter) flexible hose	3/4 in (inner diameter) flexible hose
Weight (including Element)	24 kg 44 lbs	28 kg 62 lbs
Max. System Volume	1350 l 356 gal	2700 l 713 gal
Dimensions H x W x D	567 x 475 x 188 mm 22.32 x 18.70 x 7.40 in	869 x 475 x 188 mm 34.21 x 18.70 x 7.40 in
Connection for Online Particle Counter	STAUFF Test (M16 x 2)	STAUFF Test (M16 x 2)
Pump	Gear Pump	
Motor	See page 196 for electric motor details	
Connection Oil-Analysis: P1 filter inlet side P2 filter outlet side	Test connector (M16 x 2) Red Test connector (M16 x 2) Yellow	

**G**
**STAUFF Heating Efficiency Curve**

**Heated Unit Hydraulic Schematic**


Heated Offline Filter Housings / Complete Filters ▪ Type OLSH



① Type

Heated Offline Filter Unit (for industrial applications)	<b>OLSH</b>
---	-------------

② Housing Configuration

Single housing	<b>1</b>
----------------	----------

③ Filter Element Length

300 mm / 11.81 in	<b>30</b>
600 mm / 23.62 in	<b>60</b>

④ Filter Material

Material	Micron Rating µm	Code
Cellulose (standard)	0,5	<b>H</b>
Inorg. glass fibre	1	<b>E-01</b>
Inorg. glass fibre	3	<b>E-03</b>
Inorg. glass fibre	5	<b>E-05</b>
Inorg. glass fibre	10	<b>E-10</b>
Inorg. glass fibre	20	<b>E-20</b>
Inorg. glass fibre and polymer (water absorption)	5	<b>EA</b>

⑤ Sealing Material

NBR (Buna-N®)(standard)	<b>B</b>
FKM (Viton®)	<b>V</b>

⑥ E-Motor Options

Type	Code
230/400 V AC, 50 Hz, three phases, 1360 r/min 255/460 V AC, 60 Hz, three phases, 1630 r/min (50 Hz and 60 Hz standard)	<b>A</b>
230 V AC, 50 Hz, single phase	<b>G</b>
230/400 V AC, 50 Hz, three phases, IP65	<b>A-IP65</b>
230 V AC, 60 Hz, single phase, 1630 r/min	<b>H</b>

Note: Special motors on request.

⑦ Pump Options

Standard for 50 Hz Motor	Standard for	Code
1,6 cc/rev.	OLSH-1-30-H-B	<b>00</b>
3,15 cc/rev.	OLSH-1-60-H-B	<b>10</b>
1.0 cc / rev.		<b>60</b>

60 Hz Motor	Standard in	Code
1,25 cc / rev.	OLSH-1-30-H-B	<b>01</b>
2,5 cc / rev.	OLSH-1-60-H-B	<b>11</b>

⑧ Clogging Indicator

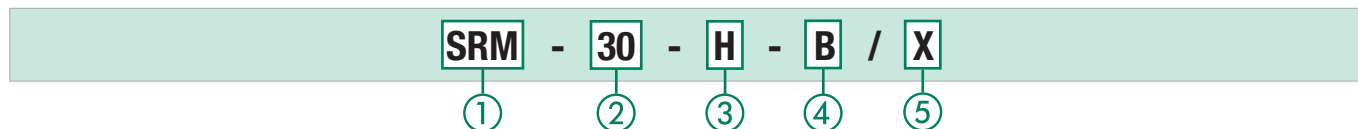
Visual clogging indicator	<b>V</b>
---------------------------	----------

⑨ Mounting Options

No options (standard)	<b>0</b>
-----------------------	----------

G

Filter Elements ▪ Type SRM



① Type

Filter Element Series	<b>SRM</b>
-----------------------	------------

② Filter Element Length

300 mm / 11.81 in	<b>30</b>
600 mm / 23.62 in	<b>60</b>

③ Filter Material and Micron Rating

Material	Micron rating µm	Code
Cellulose (standard)	0,5	<b>H</b>
Inorg. glass fibre	1	<b>E-01</b>
Inorg. glass fibre	3	<b>E-03</b>
Inorg. glass fibre	5	<b>E-05</b>
Inorg. glass fibre	10	<b>E-10</b>
Inorg. glass fibre	20	<b>E-20</b>
Inorg. glass fibre and polymer (water absorption)	5	<b>EA</b>

④ Sealing Material

NBR (Buna-N®)(standard)	<b>B</b>
FKM (Viton®)	<b>V</b>

⑤ Design Code

Only for information	<b>X</b>
----------------------	----------



### Description

STAUFF BPS Bypass Filter can be used for OEM first fit applications as well as for retro-fitting. The filtration is done in a bypass configuration from the main hydraulic system.

The STAUFF BPS Filter Systems are available with one filter housing (BPS-1A, maximum flow 2,1 l/min / .6 US GPM) or with two filter housings (BPS-2A, maximum flow 4,2 l/min / 1.1 US GPM) at a viscosity between 20 ... 160 cSt. The STAUFF Bypass Filter Units are especially designed for mobile applications in hydraulic and/or transmission systems.

In the absence of a pumped system, the oil is drawn from the main system by means of a specially designed and integrated flow valve. The amount of oil extracted at any time is insignificant therefore ensuring that it will not affect the working of the main system. Most commonly used biodegradable oils in the mobile sector are suitable for filtration with STAUFF Filter Elements.

STAUFF Systems have been applied on a wide range of mobile hydraulic machinery, cleaning fluids to levels not previously possible with conventional filtration methods, resulting in dramatic increases in component life.

#### Material

- Housing: Anodized Aluminium

#### Differential Pressure

- Max. 6,2 bar / 90 PSI

#### Temperature Range

- Max. +80 °C / +176 °F media temperature

#### Media Compatibility

- Mineral and lubrication oils, others on request

#### Options and Accessories (only for BPS)

#### Clogging Indicators

- Visual clogging indicators

#### Valves

- Available with flow control valve



#### Type BPS

- Bypass filter units are especially designed for mobile applications in hydraulic and/or transmission systems
- No special motor-pump unit is required
- Housing pressure: max. 20 bar / 290 PSI
- Nominal flow rate: max. 4,2 l/min / 1.1 US GPM
- System volume: max. 1350 l / 356 gal
- Connections: G1/4, G1/2
- Pressure range: 12 ... 420 bar / 180 ... 6200 PSI



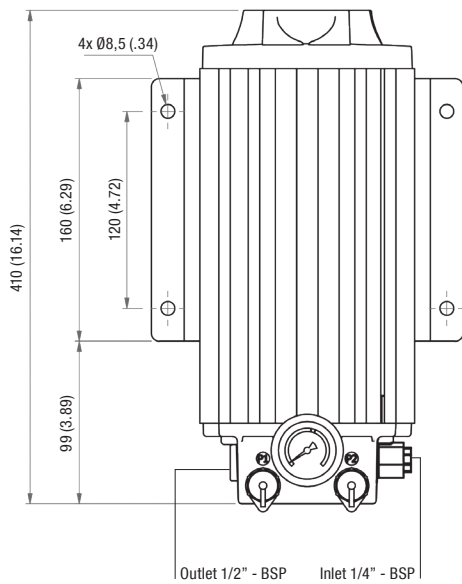
#### Type BPS

- Bypass filter units are especially designed for mobile applications in hydraulic and/or transmission systems
- No special motor-pump unit is required
- Housing pressure: max. 20 bar / 290 PSI
- Nominal flow rate: max. 4,2 l/min / 1.1 US GPM
- System volume: max. 2700 l / 713 gal
- Connections: G1/4, G1/2
- Pressure range: 12 ... 420 bar / 180 ... 6200 PSI

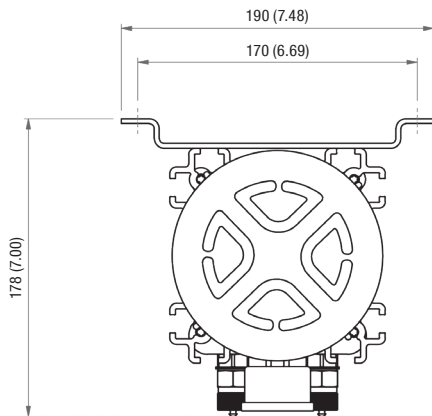


Bypass Filters - Type BPS

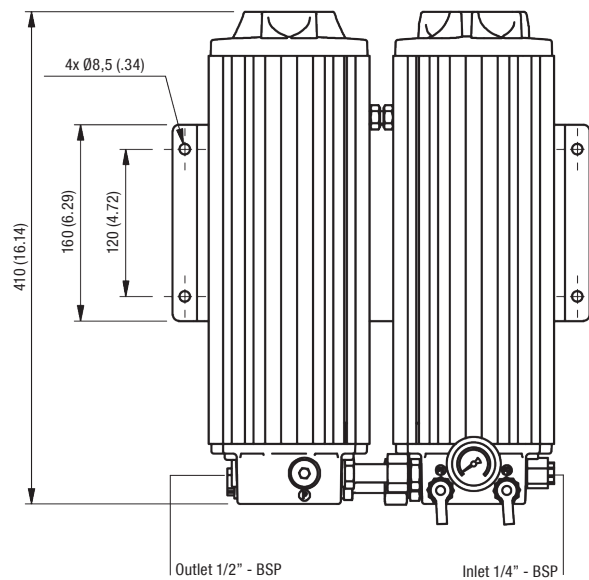
Dimensions BPS-1-30-H-B



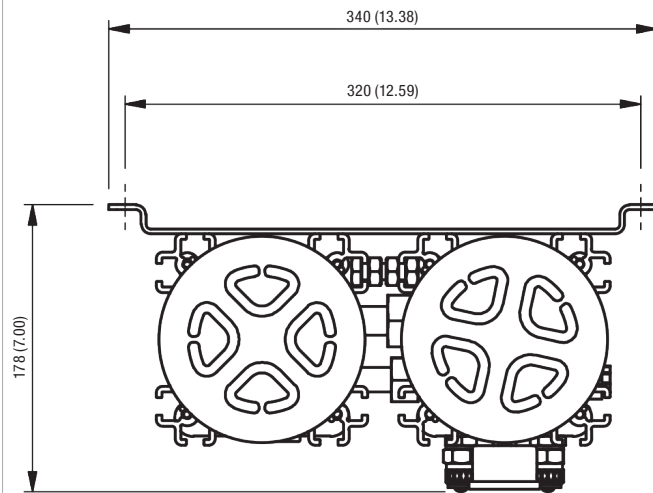
Top View



Dimensions BPS-2-30-H-B



Top View



G

All dimensions in mm / in





**Technical Data BPS**

	BPS-1-30-H-B	BPS-2-30-H-B
Number of Filter Housings	1	2
Nominal Flow Rate	2,1 l/min .6 US GPM	4,2 l/min 1.1 US GPM
Max. Differential Pressure	6,2 bar over the filter element without back pressure 90 PSI over the filter element without back pressure	
Max. Fluid Temperature	+80 °C +176 °F	
Max. Housing Pressure	20 bar 290 PSI	
Viscosity Range	20 ... 160 cSt 100 ... 750 SUS	
Connection Pressure Side	G1/4	
Connection Return Side	G1/2	
Hose Diameter	3/8 ... 1/2 in (inner diameter) flexible hose	
Weight (including Element)	6 kg 13.2 lbs	13 kg 28.7 lbs
Max. System Volume	750 l 200 gal	1500 l 400 gal
Dimensions H x W x D	410 x 190 x 178 mm 16.14 x 7.48 x 7.00 in	410 x 340 x 178 mm 16.14 x 13.38 x 7.00 in
Connection for On-Line Particle Counter	STAUFF Test (M16 x 2)	
Pressure Range	12 ... 420 bar 180 ... 6200 PSI	
Connection Oil-Analysis: P1 filter inlet side P2 filter outlet side	Test connector (M16 x 2) Red Test connector (M16 x 2) Yellow	

**G**
**Bypass Filter Housings / Complete Filters ▪ Type BPS**

BPS - 1 - 30 - H - B - V - O - O

1   
 2   
 3   
 4   
 5   
 6   
 7   
 8

**① Type**

Bypass Filter Unit (for mobile applications)	<b>BPS</b>
---	------------

**② Housing Configuration**

Single housing	<b>1</b>
Twin housing	<b>2</b>

**③ Filter Element Length**

300 mm / 11.81 in	<b>30</b>
-------------------	-----------

**④ Filter Material and Micron Rating**

Material	Micron Rating µm	Code
Cellulose (standard)	0,5	<b>H</b>
Inorg. glass fibre	1	<b>E-01</b>
Inorg. glass fibre	3	<b>E-03</b>
Inorg. glass fibre	5	<b>E-05</b>
Inorg. glass fibre	10	<b>E-10</b>
Inorg. glass fibre	20	<b>E-20</b>
Inorg. glass fibre and polymer (water absorption)	5	<b>EA</b>

**⑤ Sealing Material**

NBR (Buna-N®) (standard)	<b>B</b>
FKM (Viton®)	<b>V</b>

**⑥ Clogging Indicator**

Visual clogging indicator	<b>V</b>
---------------------------	----------

**⑦ Valve Options**

With flow control valve (standard)	<b>0</b>
Without flow control valve	<b>1</b>

**⑧ Mounting Options**

No bracket (standard)	<b>0</b>
With standard foot / bulk head mounting bracket	<b>1</b>
With "bulk head mounting only" bracket	<b>2</b>
With standard 'OLS' wall mounting bracket	<b>3</b>

**Filter Elements ▪ Type SRM**

SRM - 30 - H - B / X

1   
 2   
 3   
 4   
 5

**① Type**

Filter Element Series	<b>SRM</b>
-----------------------	------------

**② Filter Element Length**

300 mm / 11.81 in	<b>30</b>
-------------------	-----------

**③ Filter Material and Micron Rating**

Material	Micron Rating µm	Code
Cellulose (standard)	0,5	<b>H</b>
Inorg. glass fibre	1	<b>E-01</b>
Inorg. glass fibre	3	<b>E-03</b>
Inorg. glass fibre	5	<b>E-05</b>
Inorg. glass fibre	10	<b>E-10</b>
Inorg. glass fibre	20	<b>E-20</b>
Inorg. glass fibre and polymer (water absorption)	5	<b>EA</b>

**④ Sealing Material**

NBR (Buna-N®) (standard)	<b>B</b>
FKM (Viton®)	<b>V</b>

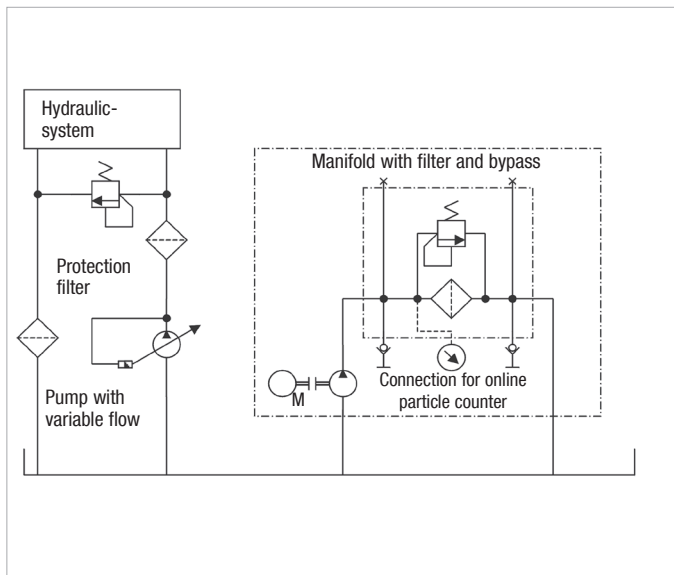
**⑤ Design Code**

Only for information	<b>X</b>
----------------------	----------

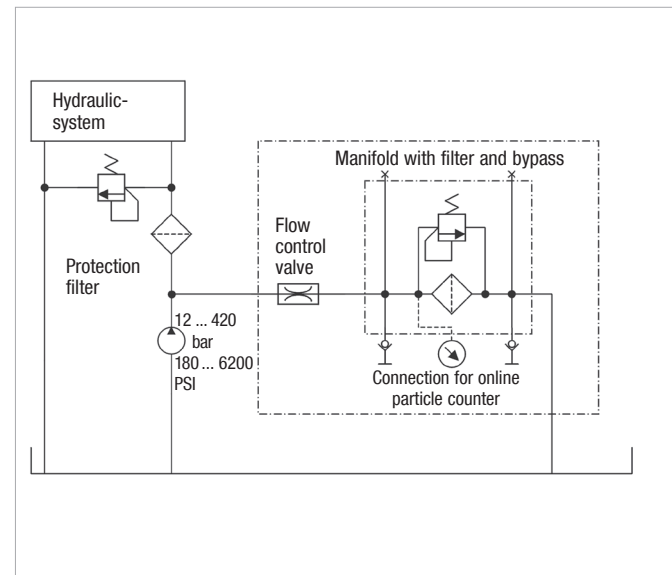


Bypass and Offline Filters ▪ Type OLS / BPS

Offline Filter OLS Hydraulic Symbol



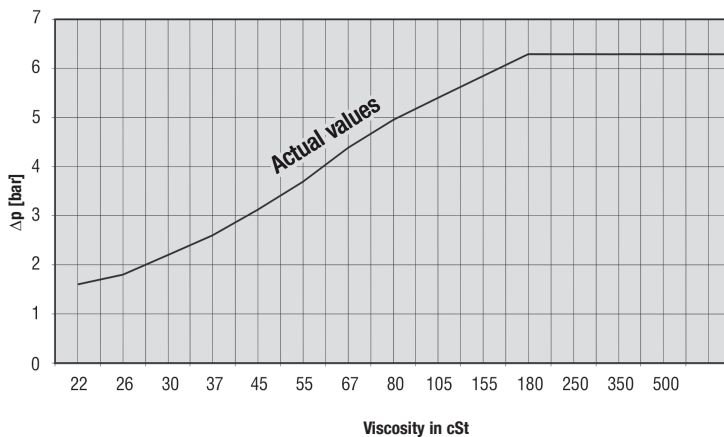
Bypass Filter BPS Hydraulic Symbol



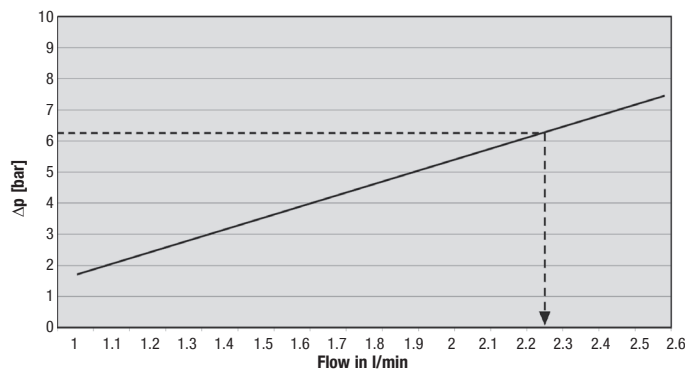
G

Filter Element SRM-30-HB  $\Delta p$  / viscosity - graph

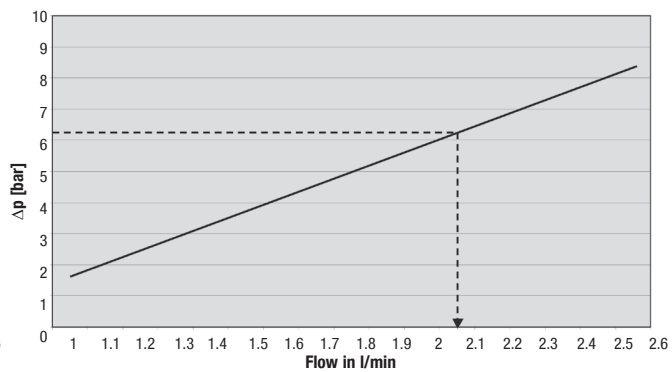
(at a flow of 2,1 l/min / .6 US GPM per element)

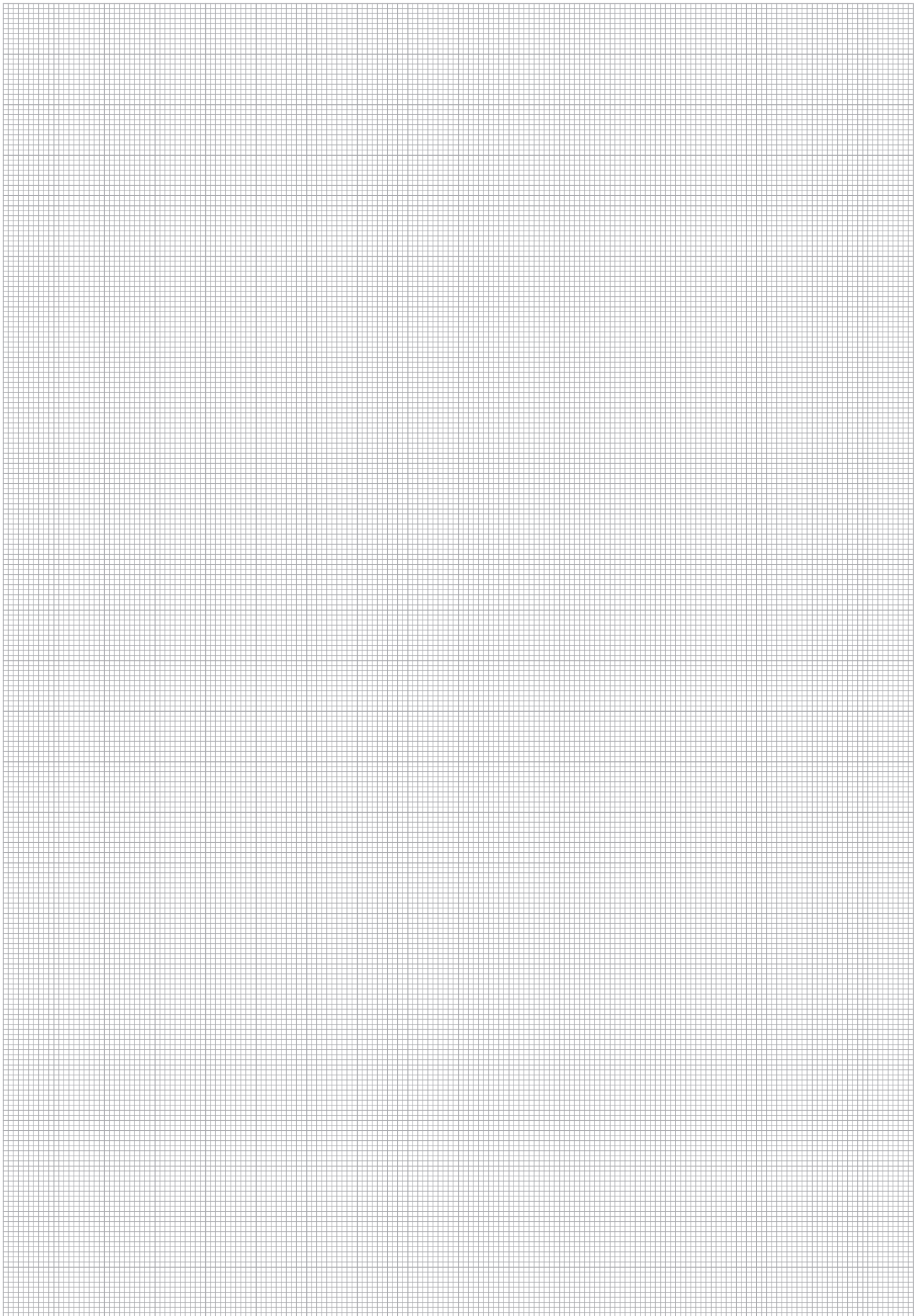


Flow Characteristics Offline Filter OLS with Filter Element SRM-30-H-B (at maximum viscosity)



Flow Characteristics Bypass Filter BPS with Filter Element SRM-30-H-B (at maximum viscosity)





G



## Mini Water Vac ■ Type SMWV



### Product Description

The Mini Water Vac is a designated oil purification unit which can be applied directly to various types of machine reservoirs. It dehydrates and cleans most types of oils such as lubricating, hydraulic, transformer, and switch oils. The Mini Water Vac is a self-regulating filtration unit which removes particles, gas, and water. The purified oil satisfies the most stringent quality requirements.

The Mini Water Vac neither removes or alters oil additives. The water removal process is based on pure vacuum evaporation inside a vacuum chamber at a maximum temperature of +65 °C / +149 °F. Solid particle removal is achieved through a well proven STAUFF Systems Micro Filter.

### Simple Operation

The Mini Water Vac does not require continuous supervision while operating. Once the unit is connected and commissioned, oil purification is a semi-automatic process. Desired oil temperature can be selected via the integrated heater thermostat. The dehydration and filtering process is fully automatic and is controlled via the PLC. The only manual action required is the emptying the pre-condenser bowl and the waste water container which are equipped with float switches to prevent overflow.

### Water, Gas and Particle Removal

The Mini Water Vac removes liquid, gas, and solid particle contamination, which are corrosive and contribute to the reduction of machine life. Contamination greatly increases maintenance costs and contribute to breakdowns and total machine failures. The Mini Water Vac offers protection against malfunctions, breakdowns or total failures. The Mini Water Vac also protects the environment by reducing oil consumption and oil disposal.

### Benefits

- Efficient water, gas and particle removal
- Extension of fluid life
- Reduces fluid disposal
- Minimizes corrosion
- Reduced failures and downtime
- Reduce operating costs

## Technical Data

### Construction

- SMWV-1-30: Mini Water Vac Vacuum Dehydration Unit  
one filter housing

### Materials

- Filter housing Eloxated Aluminium
- Vacuum chamber Eloxated Aluminium
- Heater chamber Eloxated Aluminium

### Port Connections

- Inlet G1
- Outlet G1/2
- Online particle counter STAUFF Test (M16x2)

### Max. System Volume

- 3000 l / 795 gal

### Recirculating Flow Rate

- 90 l/h / 23.8 gal/hr

### Max. Backpressure

- 1 bar / 14.5 PSI

### Max. Heater Temperature

- +65 °C / +149 °F

### Filter Element

- 1 micron inorganic glass fibre element  $\beta_1 > 200$

### Media Compatibility

- Viscosity between 20 ... 500 cSt
- Max. attainable water content 100 ppm

### Removals

- 100% of free water, >80% of dissolved water
- 100% of free gases, >80% of dissolved gases

### Dimensions

- 1200 x 740 x 450 mm / 47.3 x 29.1 x 17.7 in

### Weight

- 130 kg / 287 lbs

### Electrical Data

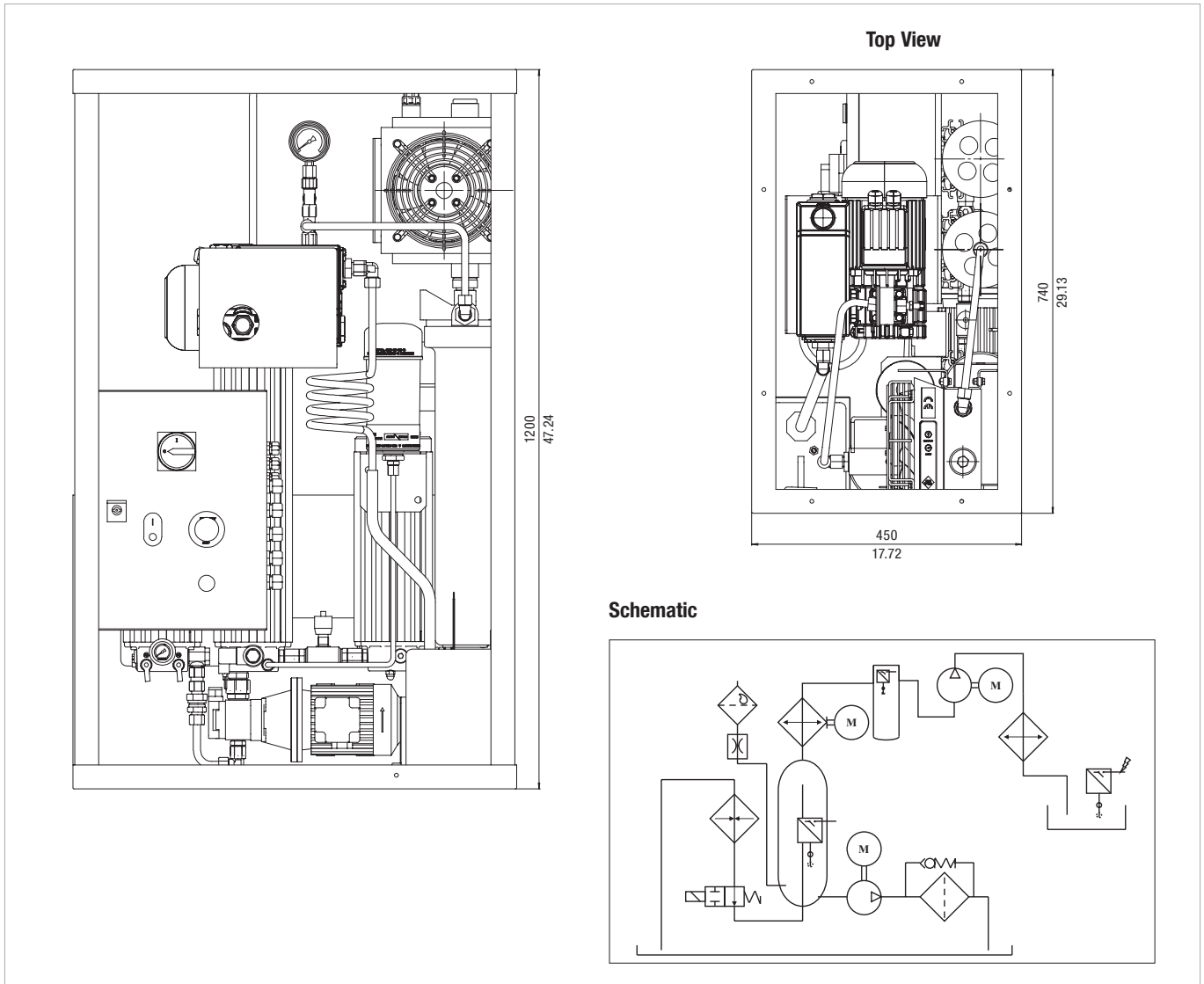
- Voltage 230/400 V AC, 50 Hz  
255/460 V AC, 50 Hz
- Power supply 3 phases
- Heater section 2 kW
- Vacuum section 0,037 kW vacuum pump
- Max. current 3 Amps

### Process Control

- PLC unit



## Dimensions SMWV-1



All dimensions in mm / in

## Mini Water Vac - Type SMWV

SMWV - 1 - 30 - H - B - A

## ① Type

Mini Water Vac Oil Purifier (for industrial applications)	<b>SMWV</b>
--	-------------

## ② Housing Configuration

Single housing	<b>1</b>
----------------	----------

## ③ Filter Element Length

300 mm / 11.81 in	<b>30</b>
-------------------	-----------

## ④ Filter Material and Micron Rating

Material	Micron Rating $\mu\text{m}$	Code
Cellulose (standard)	0,5	<b>H</b>
Inorg. glass fibre	1	<b>E-01</b>
Inorg. glass fibre	3	<b>E-03</b>
Inorg. glass fibre	5	<b>E-05</b>
Inorg. glass fibre	10	<b>E-10</b>
Inorg. glass fibre	20	<b>E-20</b>
Inorg. glass fibre and polymer (water absorption)	5	<b>EA</b>

## ⑤ Sealing Material

NBR (Buna-N®) (standard)	<b>B</b>
FKM (Viton®)	<b>V</b>

## ⑥ E-motor Options

Type	Code
230/400 V AC, 50 Hz, three phases, 1360 r/min 255/460 V AC, 60 Hz, three phases, 1630 r/min	<b>A</b>





**Filtration Systems** 208 - 209

STAUFF Europe Filter Systems 208

STAUFF America Filter Systems 209

STAUFF Australia Filter Systems 209



**STAUFF Europe**

**Product Description**

STAUFF Mobile Filtration Systems type SMFS are designed to cover a wide application range in the area of offline-filtration.

Being compact, powerful and robust the units assist the preventive maintenance, either when transferring fresh oils or purifying existing hydraulic and lubrication oil systems.

By selecting high-quality components, the SMFS is suitable for purifying small and medium size systems in a very short time or for a permanent offline-filtration on large hydraulic systems.

- High nominal flow rates of 15 l/min / 4 US GPM respectively 110 l/min / 30 US GPM by using high-quality gear pumps and energy-efficient, high-performance three phase motors suitable for continuous duty cycle
- Flexible use (mobile or stationary offline-filtration, filter elements available in different micro ratings)
- All Units are equipped with a 200 µm pre filter
- Drip pan for residual oil
- Easy and safe handling
- Rugged construction
- Filter elements with 4Pro media provide high dirt holding capacity and filtration performance
- Made in Germany

H



**Type SMFS-P-015**

- Portable hand-held unit
- Compact and light-weight design
- Very flexibility
- High-quality gear pump
- Nominal flow rate: max. 15 l/min / 4 US GPM
- Motor versions: 230 V 50 Hz or 400 V 50 Hz
- Micron rating available from 3 ... 125 µm
- Also available with a blank filter element for the reason of used oil to be removed from the hydraulic reservoir
- Weight: approx. 33 kg / 73 lbs



**Type SMFS-U-060**

- Mobile Filtration system
- High nominal flow rates
- Long-term operating times
- High-quality gear pump
- Nominal flow rate: max. 60 l/min / 15 US GPM
- Motor unit 400 V 50 Hz
- Micron rating available from 3 ... 125 µm
- Weight: approx. 165 kg / 364 lbs



**Type SMFS-U-030**

- Mobile Filtration system
- Robust steel frame push cart
- Maximum flexibility
- High-quality gear pump
- Nominal flow rate: max. 30 l/min / 8 US GPM
- Motor versions: 230 V 50 Hz or 400 V 50 Hz
- Micron rating available from 3 ... 125 µm
- Water absorbing element SF-6721-W
- Also available with a blank filter element for the reason of used oil to be removed from the hydraulic reservoir
- Weight: approx. 58,5 kg / 129 lbs



**Type SMFS-U-110**

- Mobile Filtration system
- High nominal flow rates
- Long-term operating times
- High-quality gear pump
- Nominal flow rate: max. 110 l/min / 30 US GPM
- Motor unit 400 V 50 Hz
- Micron rating available from 3 ... 125 µm
- Weight: approx. 177,2 kg / 391 lbs



**Type SMFS-U-DL-015-G**

- Extremely robust transport cart
- Heavy-duty rollers, steerable and with locking device on the rear end
- Convenient filling nozzle
- High-quality gear pump
- for 200 l / 52 US GAL oil drums
- Nominal flow rate: max. 15 l/min / 4 US GPM
- Motor versions: 230 V 50 Hz
- Spin-On filter Element of the series SFC-57/58 including visual clogging indicator
- Micron rating available from 3 ... 125 µm
- Water absorbing element SF-6721-W
- Weight: approx. 85 kg / 187 lbs (without oil drum)



**Type SMFS-U-CM-110**

- Mobile Filtration system
- High nominal flow rates
- Long-term operating times
- High-quality gear pump
- Integrated 8-channel particle counter
- Nominal flow rate: max. 110 l/min / 30 US GPM
- Motor unit 400 V 50 Hz
- Micron rating available from 3 ... 125 µm
- Weight: approx. 220 kg / 485 lbs





**Product Description**

The Stauff portable filter carts, (SCFC & SPFC models), are very complete and efficient units capable of off line filtration, filling or emptying reservoirs or any application requiring the transfer or filtration of hydraulic fluid. Multi stage filtration can be achieved to extend element life. Both units are available with a variety of different spin on elements for quick and easy change to match the application requirements.

The SCFC is a very lightweight and compact cart perfect for most maintenance departments. The cart is assembled with either a single or double head allowing for flexibility.

The SPFC comes standard with a suction element, (125 µm), and two double heads which maximizes the carts filtration capabilities. It is also available as a Condition and Monitoring cart which incorporates Stauff's LPM-II Particle monitor for accurate monitoring of the fluids cleanliness condition.


**Type SCFC-05 / 10**

- Flow capability of 19 l/min / 5 GPM or 38 l/min / 10 GPM
- Single or three phase electric motor-1HP
- Thermal overload relays
- Welded frame cart
- Filter head with by-pass valve
- Visual clogging indicator
- On/Off buttons
- Weight: 52 kg / 115 lbs


**Type SPFC-10**

- Flow capability of 38 l/min / 10 GPM
- On/Off buttons with 10 foot power cord
- Single or three phase motor-1HP
- Heavy duty welded frame with drip pan and tool tray
- 3-way ball valve to by pass filters
- 3/6/12/25 µm and water absorption filter elements available
- Available as a drum cart
- Optional Condition and monitoring configuration
- Weight: 86 kg / 190 lbs

**H**
**STAUFF Australia and New Zealand**
**Product Description**

STAUFF Mobile Filtration Systems type SPFC is designed to cover a wide application range in the area of offline-filtration. This is an essential tool for preventive maintenance, either when transferring new oils or purifying existing hydraulic and lubrication oil systems.

The Stauff Portable Filter Cart type SPFC is a very complete and practical unit utilising dual stage filtration 1. pre-filtration through magnetic core 2. final filtration through a 10 micron micro-glass element.

This system is designed for the transfer, draining or filling of reservoirs, or filtration of mineral oil based fluids for hydraulic systems & gear boxes limited to a viscosity range of 10-150 mm<sup>2</sup>/sec (cSt).

The application of the SPFC offers excellent mobility for maintenance, resulting in clean oil changes, increasing the lifetime of components and a higher availability of machinery.

- Suction/Delivery Hoses: 3/4" ID x 3 m / 9.84 ft  
(Suction hose fitted with drum lance H: 900mm / 35.43 in)
- Heavy duty frame with solid rubber wheels
- Operation & maintenance manual
- Lockable storage box
- Drip tray
- Hose storage hooks
- Oil resistant rubber handle grips


**Type SPFC**

- Flow: 23 l/min / 6 US GPM - Nominal
- Voltage: 240 V / 50 Hz
- Start/Stop station with 3 m / 9.84 ft cable
- Electric motor: 1450 RPM 0,55 KW
- Pump: Gear type 23 LPM @ 1450 RPM
- Filter: Magnetic Core (integral pre-filter)
- Element: 10 µm
- Bypass valve opens @ 1,5 bar / 18.12 PSI
- Seals/O-rings: Buna-N® Rubber
- Clogging Indicator: Clean ΔP= 1,25 bar / 18.12 PSI
- Weight: 53 kg / 117 lbs
- Dimensions (H x W x D): 1300 x 620 x 500 mm / 51.18 x 24.40 x 19.68 in





**Product-Specific Abbreviations** 212 - 213

**Global Contact Directory** 214 - 215



## Product-Specific Abbreviations

Abbreviation	Product Category	Product Description	Page
BPS	Offline and Bypass Filters	Bypass Filters	199
HI	Pressure Filters	Clogging Indicator for Pressure Filters	54
HIM	Pressure Filters	Clogging Indicator for SMPF Series	63
HVB	Pressure Filters	Bypass valve	53
HVM	Pressure Filters	Multi-function valve	53
HVN	Pressure Filters	Non-return valve	53
HVO	Pressure Filters	Non-bypass standard insert	53
HVR	Pressure Filters	Reverse flow valve	53
Limit-Switch	Return-Line Filters	Electrical Clogging Switch for RF Series	73
Limit-Switch	Return-Line Filters	Electrical Clogging Switch for RFA Series	81
Limit-Switch	Return-Line Filters	Electrical Clogging Switch for RFB Series	89
Limit-Switch	Return-Line Filters	Electrical Clogging Switch for RFS Series	99
Limit-Switch	Return-Line Filters	Electrical Clogging Switch for RTF Series	125
Limit-Switch	Spin-On Filters	Electrical Clogging Switch for Spin-On Filters	177
OLS	Offline and Bypass Filters	Offline Filters	183
OLSH	Offline and Bypass Filters	Heated Offline Filters	195
OLSW	Offline and Bypass Filters	Water Absorbing Offline Filters	189
RA	Replacement Filter Elements for Applications involving Hydraulic and Lubrication Oils	Filter Elements for Return-Line Filters	122
RE-014	Replacement Filter Elements for Applications involving Hydraulic and Lubrication Oils	Filter Elements for Return-Line Filters	72
RE-022	Replacement Filter Elements for Applications involving Hydraulic and Lubrication Oils	Filter Elements for Return-Line Filters	88
RE-030	Replacement Filter Elements for Applications involving Hydraulic and Lubrication Oils	Filter Elements for Return-Line Filters	80
RE-045	Replacement Filter Elements for Applications involving Hydraulic and Lubrication Oils	Filter Elements for Return-Line Filters	98
REA	Return-Line Filters	Air Filter Element for RFB Series	88
REL	Replacement Filter Elements	Filter Elements for In-Line Filters SRFL-SW Series	146
RF	Return-Line Filters	Return-Line Filters for Tank-Top Mounting	69
RFA	Return-Line Filters	Return-Line Filters for Tank-Top Mounting	77
RFB	Return-Line Filters	Return-Line Filters for Tank-Top Mounting	85
RFS	Return-Line Filters	Return-Line Filters for Tank-Top Mounting	93
RFS-D	Return-Line Filters	Return-Line Filters for Tank-Top Mounting	93
RTE-20	Replacement Filter Elements for Applications involving Hydraulic and Lubrication Oils	Filter Elements for Return-Line Filters	110
RTE-25	Replacement Filter Elements for Applications involving Hydraulic and Lubrication Oils	Filter Elements for Return-Line Filters	106
RTE-47	Replacement Filter Elements for Applications involving Hydraulic and Lubrication Oils	Filter Elements for Return-Line Filters	112
RTE-48	Replacement Filter Elements for Applications involving Hydraulic and Lubrication Oils	Filter Elements for Return-Line Filters	114/112
RTE-49	Replacement Filter Elements for Applications involving Hydraulic and Lubrication Oils	Filter Elements for Return-Line Filters	112
RTE-58	Replacement Filter Elements for Applications involving Hydraulic and Lubrication Oils	Filter Elements for Return-Line Filters	118
RTEA	Return-Line Filters	Air Filter Element for RTF-20 Series	110
RTF-10/15/25	Return-Line Filters	Return-Line Filters for Tank-Top Mounting	103
RTF-20	Return-Line Filters	Return-Line Filters for Tank-Top Mounting	107
RTF-40	Return-Line Filters	Return-Line Filters for Tank-Top Mounting	111
RTF-50	Return-Line Filters	Return-Line Filters for Tank-Top Mounting	115
RTF-N	Return-Line Filters	Return-Line Filters for In-Tank Mounting	119
SAF-05 / 06 / 07 / 11	Spin-On Filters	Spin-On Filter Heads	153
SAF-10 / 13	Spin-On Filters	Spin-On Filter Heads	154
SBK	Replacement Filter Elements for Single, Double and Automatic Filters	Star-Pleated Elements, Basket and Ring Sieves	32
SBM	Replacement Filter Elements for Single, Double and Automatic Filters	Multimantle Elements	33
SBS	Replacement Filter Elements for Single, Double and Automatic Filters	Star-Pleated Elements, Basket and Ring Sieves	32
SBS-124	Replacement Filter Elements for Single, Double and Automatic Filters	Paper, Fibreglass and Polyester Elements	33
SCFC	Filtration Systems	Filtration Systems STAUFF America	209
SE	Replacement Filter Elements for Applications involving Hydraulic and Lubrication Oils	Filter Elements for High Pressure Filters	40/44/48/52
SF	Pressure Filters	High Pressure Filters (Inline)	37
SF-63	Spin-On Filters	Spin-On Filter Elements	171
SF-65	Spin-On Filters	Spin-On Filter Elements	172
SF-67	Spin-On Filters	Spin-On Filter Elements	173
SFA	Pressure Filters	Medium Pressure Filters (Inline)	49
SFC-35 / 36	Spin-On Filters	Spin-On Filter Elements	169
SFC-57 / 58	Spin-On Filters	Spin-On Filter Elements	170
SFCT-35 / 36	Spin-On Filters	Spin-On Filter Elements	169
SFCT-57 / 58	Spin-On Filters	Spin-On Filter Elements	170
SFK	Replacement Filter Elements for Single, Double and Automatic Filters	Screw-In and Plug-In Elements	32
SFK-320	Replacement Filter Elements for Single, Double and Automatic Filters	Plastic Elements	33
SFK-439	Replacement Filter Elements for Single, Double and Automatic Filters	Heavy Fuel Elements	32
SFK-445	Replacement Filter Elements for Single, Double and Automatic Filters	Plastic Elements	33
SF-TM	Pressure Filters	High Pressure Filters (Top-mounted)	41
SFZ	Pressure Filters	High Pressure Filters (Sandwich)	45



## Product-Specific Abbreviations

Abbreviation	Product Category	Product Description	Page
SLF-02 / 03 / 04	Spin-On Filters	Spin-On Filter Head	152
SME	Replacement Filter Elements for Applications involving Hydraulic and Lubrication Oils	Filter Elements for Medium Pressure Filters	62
SMFS	Filtration Systems	Filtration Systems STAUFF Europe	208
SMPF	Pressure Filters	Medium Pressure Filters (Inline)	59
SMWV	Offline and Bypass Filters	Mini Water Vac	204
SPFC	Filtration Systems	Filtration Systems STAUFF Australia and New Zealand	209
SPFC-10	Filtration Systems	Filtration Systems STAUFF America	209
SPG-C	Return-Line Filters	Visual Clogging Indicator for RF Series	73
SPG-C	Return-Line Filters	Visual Clogging Indicator for RFA Series	81
SPG-C	Return-Line Filters	Visual Clogging Indicator for RFB Series	89
SPG-C	Return-Line Filters	Visual Clogging Indicator for RFS Series	99
SPG-C	Return-Line Filters	Visual Clogging Indicator for RTF Series	125
SPG-C	Spin-On Filters	Visual Clogging Indicator for Spin-On Filters	177
SRFL-D	In-Line Filters	In-Line Filters - Duplex Housing	129
SRFL-S	In-Line Filters	In-Line Filters - Simplex Housing	129
SRFL-SW	In-Line Filters	In-Line Filters for Industrial Water	143
SRM	Replacement Filter Elements	Filter Elements for Offline and Bypass Filters	181/188/ 194/198/ 201
SSF-100 / 120 / 120L / 130 / 160	Spin-On Filters	Spin-On Filter Heads	157
SSF-12	Spin-On Filters	Spin-On Filter Head	155
SSF-150 / 180	Spin-On Filters	Spin-On Filter Heads	158
SSF-20L	Spin-On Filters	Spin-On Filter Head	156
SSF-24B	Spin-On Filters	Double Spin-On Filter Head	159
SSF-24N / 24S	Spin-On Filters	Double Spin-On Filter Heads	160
SSF-25	Spin-On Filters	Double Spin-On Filter Head	163
SSF-25B	Spin-On Filters	Double Spin-On Filter Head	161
SSF-25FM	Spin-On Filters	Double Spin-On Filter Head	162
SSFT-12	Spin-On Filters	Tank Top Spin-On Filter Head	165
SSFT-12B	Spin-On Filters	Tank Top Spin-On Filter Head	164
SSFT-20	Spin-On Filters	Tank Top Spin-On Filter Head	167
SSFT-20B	Spin-On Filters	Tank Top Spin-On Filter Head	166
WR-40	Return-Line Filters	Weld Ring for RTF-40 Series	113



## Global Contact Directory

STAUFF products and services are globally available through wholly-owned subsidiaries and a tight network of authorised distributors and representatives in all major industrial regions of the world.

Contact information on this page may be subject to changes and additions over time. Frequently updated and complete contact information can always be found at [www.stauff.com](http://www.stauff.com).

### Germany



**Walter Stauffenberg GmbH & Co. KG**  
Im Ehrenfeld 4  
58791 Werdohl  
Tel.: +49 2392 91 60  
Fax: +49 2392 91 61 03  
E-Mail: [sales@stauff.com](mailto:sales@stauff.com)  
[www.stauff.com](http://www.stauff.com)



Neuenrade-Küntrop Logistics Centre  
Wasserburgstraße 35  
58809 Neuenrade



Plettenberg-Ohle Production Site  
Lennestraße 2  
58840 Plettenberg



Meinerzhagen Production Site  
Neugrünenthal  
58540 Meinerzhagen

### Europe

#### France

**STAUFF S.A.S.**  
230, Avenue du Grain d'Or  
Z.I. de Vineuil - Blois Sud  
41354 Vineuil-cedex  
Tel.: +33 2 54 50 55 50  
Fax: +33 2 54 42 29 19  
E-Mail: [direction@stauffsa.com](mailto:direction@stauffsa.com)  
[www.stauff.fr](http://www.stauff.fr)

#### Ireland

**STAUFF UK Ltd.**  
Block B, 9 Ferguson Drive  
Knockmore Hill Industrial Estate  
Lisburn, County Antrim, BT28 2EX  
Tel.: +44 2892 60 69 00  
Fax: +44 2892 60 26 88  
E-Mail: [sales@stauffireland.com](mailto:sales@stauffireland.com)  
[www.stauff.co.uk](http://www.stauff.co.uk)

#### Italy

**STAUFF Italia s.r.l**  
Via Borima 21 (Frazione Borima)  
23867 Suello (LC)  
Tel.: +39 031 65 84 94  
Fax: +39 031 65 50 05  
E-Mail: [sales@stauff.it](mailto:sales@stauff.it)  
[www.stauff.it](http://www.stauff.it)

#### Poland

**STAUFF Polska Sp. z o.o.**  
Miszewko 43 A  
80-297 Banino  
Tel.: +48 58 660 11 60  
Fax: +48 58 629 79 52  
E-Mail: [sales@stauff.pl](mailto:sales@stauff.pl)  
[www.stauff.pl](http://www.stauff.pl)

#### Russian Federation

**STAUFF LLC**  
Building 1  
19, Leninskaya Sloboda  
Moscow, 115280  
Tel.: +7 495 276 16 50  
Fax: +7 495 276 16 51  
E-Mail: [sales@stauff.ru](mailto:sales@stauff.ru)  
[www.stauff.ru](http://www.stauff.ru)

#### United Kingdom

**STAUFF UK Ltd.**  
500, Carlisle Street East  
Off Downgate Drive  
Sheffield, S4 8BS  
Tel.: +44 114 251 85 18  
Fax: +44 114 251 85 19  
E-Mail: [sales@stauff.co.uk](mailto:sales@stauff.co.uk)  
[www.stauff.co.uk](http://www.stauff.co.uk)

**STAUFF UK Ltd.**  
Badentoy Avenue  
Badentoy Industrial Estate  
Portlethen, Aberdeen, AB12 4YB  
Tel.: +44 1224 78 61 66  
Fax: +44 1224 78 61 77  
E-Mail: [sales@stauffscotland.co.uk](mailto:sales@stauffscotland.co.uk)  
[www.stauff.co.uk](http://www.stauff.co.uk)

**STAUFF UK Ltd.**  
Unit 9, Southampton Trade Park  
Third Avenue, Millbrook  
Southampton, SO15 0AD  
Tel.: +44 2380 69 87 00  
Fax: +44 2380 69 87 01  
E-Mail: [sales@stauffsouthampton.co.uk](mailto:sales@stauffsouthampton.co.uk)  
[www.stauff.co.uk](http://www.stauff.co.uk)

Further branch offices in  
Engels, Volzhskiy, Magnitogorsk,  
Nizhny Novgorod and St. Petersburg.

### North America

#### Canada

**STAUFF Canada Ltd.**  
866 Milner Avenue  
Scarborough  
Ontario M1B 5N7  
Tel.: +1 416 282 46 08  
Fax: +1 416 282 30 39  
E-Mail: [sales@stauffcanada.com](mailto:sales@stauffcanada.com)  
[www.stauffcanada.com](http://www.stauffcanada.com)

#### United States

**STAUFF Corporation**  
7 Wm. Demarest Place  
Waldwick, 07463-1542  
New Jersey  
Tel.: +1 201 444 78 00  
Fax: +1 201 444 78 52  
E-Mail: [sales@stauffusa.com](mailto:sales@stauffusa.com)  
[www.stauffusa.com](http://www.stauffusa.com)

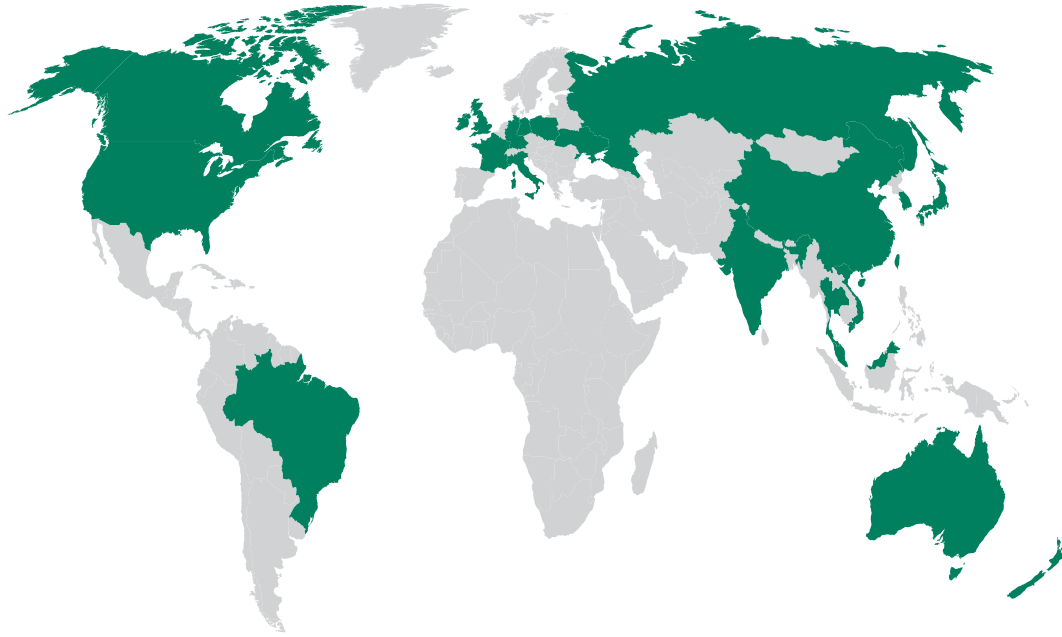
Further branch office in  
Canton, Michigan.

### South America

#### Brazil

**STAUFF Brasil Ltda.**  
Avenida Gupê 10767  
Galpão 2 - Bloco A  
Barueri, São Paulo, CEP 06422-120  
Tel.: +55 11 47 72 72 00  
Fax: +55 11 47 72 72 10  
E-Mail: [stauff@stauffbrasil.com](mailto:stauff@stauffbrasil.com)  
[www.stauffbrasil.com](http://www.stauffbrasil.com)





## Asia

### China

#### STAUFF CHINA

Building 1, No. 128, Die Qiao Road  
Jushuo Industrial Zone, Kang Qiao  
Shanghai, 201319  
Tel.: +86 21 68 18 70 00  
Fax: +86 21 68 18 71 36  
E-Mail: [info@stauff.com.cn](mailto:info@stauff.com.cn)  
[www.stauff.com.cn](http://www.stauff.com.cn)

Further branch offices in Beijing,  
Changsha, Chengdu, Changchun,  
Chongqing, Jinan, Harbin, Guangzhou,  
Shenyang, Wuhan, Xian and Xuzhou.

### India

#### STAUFF India Pvt. Ltd.

Gat no. 26/1 & 27, Sanghar Warehousing  
Pune - Nagar Road  
Lonikand - 412216  
Tel.: +91 20 6731 4900  
Fax: +91 20 6731 4905  
E-Mail: [sales@stauffindia.com](mailto:sales@stauffindia.com)  
[www.stauffindia.com](http://www.stauffindia.com)

### Korea

#### STAUFF Korea Ltd.

105, Hwajeonsandan 5-ro  
Gangseo-gu  
Busan, 46739  
Tel.: +82 51 266 6666  
Fax: +82 51 266 8866  
E-Mail: [info@stauff.co.kr](mailto:info@stauff.co.kr)  
[www.stauff.co.kr](http://www.stauff.co.kr)

### Malaysia

#### STAUFF South East Asia Sdn Bhd

No. 8, Jalan SS13/6A  
Subang Jaya Industrial Estate  
47500 Subang Jaya  
Tel.: +60 3 5637 78 88  
Fax: +60 3 5636 78 90  
E-Mail: [sales@stauff.com.my](mailto:sales@stauff.com.my)  
[www.stauff.com.my](http://www.stauff.com.my)

### Thailand

#### STAUFF (Thailand) Co., Ltd.

10 Soi On-Nut 74/4  
Pravet District  
Bangkok 10250  
Tel.: +66 2 721 73 23 / 24  
Fax: +66 2 721 73 35  
E-Mail: [sales@stauff.co.th](mailto:sales@stauff.co.th)  
[www.stauff.co.th](http://www.stauff.co.th)

### Vietnam

#### STAUFF Vietnam Ltd.

2nd Floor, CT-IN Building  
#435 Hoang Van Thu Street  
Tan Binh District, Ho Chi Minh City  
Tel.: +84 8 3948 10 41 / 42  
Fax: +84 8 3948 10 44  
E-Mail: [sales@stauff.com.vn](mailto:sales@stauff.com.vn)  
[www.stauff.com.vn](http://www.stauff.com.vn)

## Oceania

### Australia

#### STAUFF Corporation Pty Ltd

24-26 Doyle Avenue  
Unanderra NSW 2526  
Tel.: +61 2 4271 9000  
Fax: +61 2 4271 8432  
E-Mail: [sales@stauff.com.au](mailto:sales@stauff.com.au)  
[www.stauff.com.au](http://www.stauff.com.au)

Further branch offices in  
Adelaide, Brisbane, Melbourne  
and Sydney.

### New Zealand

#### STAUFF Corporation (NZ) Ltd.

Unit D, 103 Harris Road  
East Tamaki, Auckland 2013  
Tel.: +64 9 912 1530  
Fax: +64 9 912 1531  
E-Mail: [sales@stauff.co.nz](mailto:sales@stauff.co.nz)  
[www.stauff.co.nz](http://www.stauff.co.nz)



Introduction

Filtration Guideline

Replacement Filter Elements

Pressure Filters

Return-Line Filters

In-Line Filters

Spin-On Filters

Offline and Bypass Filters

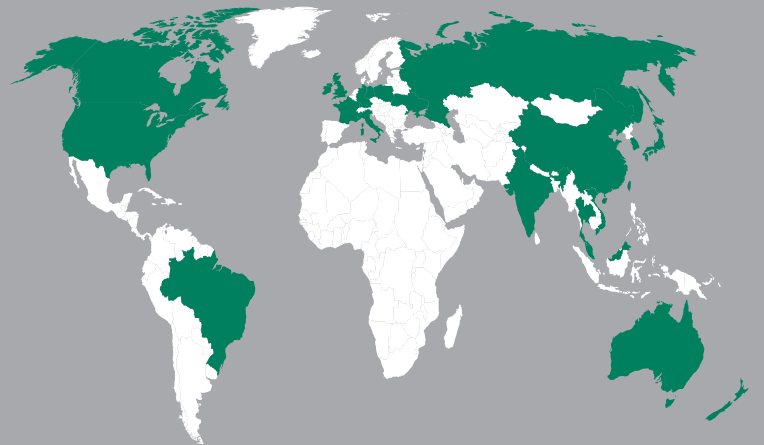
Filtration Systems

Appendix



## Catalogue 9

### STAUFF Filtration Technology



#### Germany

**Walter Stauffenberg GmbH & Co. KG**  
Im Ehrenfeld 4  
58791 Werdohl  
Tel.: +49 2392 91 60  
Fax: +49 2392 91 61 03  
E-Mail: [sales@stauff.com](mailto:sales@stauff.com)

STAUFF products and services are globally available through wholly-owned subsidiaries and a tight network of authorised distributors and representatives in all major industrial regions of the world.

You can find detailed contact information on the last two pages of this product catalogue or at

[www.stauff.com](http://www.stauff.com)